



T&S BRASS AND BRONZE WORKS, INC.

2 Saddleback Cove / P.O. Box 1088
Travelers Rest, SC 29690



REG. #A2601
ISO #9001

Model No.

MPY-8WLN-12

Item No.

Travelers Rest, SC: 800-476-4103 Simi Valley, CA: 800-423-0150 Fax: 864-834-3518 www.tsbrass.com

This Space for Architect/Engineer Approval

Job Name _____ Date _____

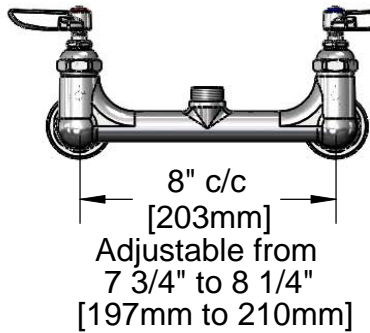
Model Specified _____ Quantity _____

Customer/Wholesaler _____

Contractor _____

Architect/Engineer _____

EPAct2005 Compliant
For Commercial Use Only

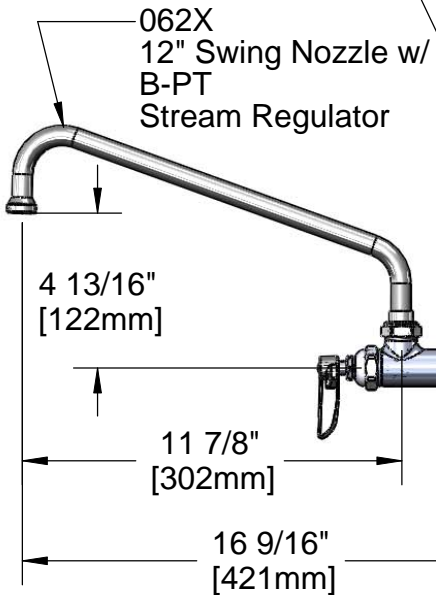


Eterna Cartridges w/ Spring Checks & Lever Handles w/ Color Coded Indexes

B-0024-H
24" Stainless Steel
Hose w/ Polyurethane
Inner Hose & Handle

Swing Nozzle
Not Shown For
Clarity

Overhead Spring, Hose
& Spray Valve Not Shown
For Clarity



B-0107-C
Spray Valve
w/ 0.65 GPM
Flow Rate

3/8" NPT
x 8" Riser

004R
Finger
Hook

22"
[559mm]

Mounting
Surface

3 5/16"
[85mm]

B-0109-01
6" Wall
Bracket

B-0155-LNEZ
1/4 Turn Eterna
Cartridge &
Lever Handle

8 7/8"
[226mm]

Ø 2"
[51mm]
Flanges
(1/2" NPT
Female Inlets)

Product Specifications:

**Easy Install Pre-Rinse Unit:
8" Wall Mount Mixing Faucet, Add-On Faucet w/
12" Swing Nozzle, Compact Spring & Flex Hose, B-0107-C
Spray Valve, 6" Wall Bracket & Lever Handles**

Drawn
DHL

Checked
KJG

Approved
JHB

Scale:

NTS

Date:

08/03/10



T&S BRASS AND BRONZE WORKS, INC.

2 Saddleback Cove / P.O. Box 1088
Travelers Rest, SC 29690



REG. #A2601
ISO #9001

Model No.

MPY-8WLN-12

Item No.

Travelers Rest, SC: 800-476-4103 Simi Valley, CA: 800-423-0150 Fax: 864-834-3518 www.tsbrass.com

ITEM NO.	SALES NO.	DESCRIPTION
2	010476-45	#27 Washer
3	000907-45	Spray Valve Hold Down Ring
4	002987-40	Grip Handle Assembly
5	001014-45	Washer, B-0100 Hose Barrel
6	B-0024-H2A	24" Flex Hose Less Handle
7	016795-45	Compact Spring
8	000821-40	Spring Body
9	B-0109-01	6" Wall Bracket Assembly
10	004R	Finger Hook Assembly
11	001019-45	Coupling Nut Washer
12	00AA	Flange Assembly
13	012442-40	Cold Eterna Spindle Asm w/ Spring Check
14	001638-45	Lever Handle
15	001660-45	Blue Index-CW
16	000922-45	Lever Handle Screw
17	012443-40	Hot Eterna Spindle Asm w/ Spring Check
18	001661-45	Red Index-HW
19	007947-40	Quarter Turn Spindle Assembly
20	B-PT	Stream Regulator Outlet
21	001048-45	Nozzle Tip Washer
22	002711-40	Cold Eterna Spindle Asm w/ Spring Check, Lever Handle, Color Coded Index & Screw
23	002712-40	Hot Eterna Spindle Asm w/ Spring Check, Lever Handle, Color Coded Index & Screw
24	B-0155-LNEZ	Add-On 1/4 Turn Faucet
25	062X	12" Swing Nozzle
74		Label Tape "Mr Plumber"

Product Specifications:
Easy Install Pre-Rinse Unit:
 8" Wall Mount Mixing Faucet, Add-On Faucet w/
 12" Swing Nozzle, Compact Spring & Flex Hose, B-0107-C
 Spray Valve, 6" Wall Bracket & Lever Handles

Drawn DHL	Checked KJG	Approved JHB
Scale: NTS		Date: 08/03/10