



T&S BRASS AND BRONZE WORKS, INC.

2 Saddleback Cove / P.O. Box 1088
Travelers Rest, SC 29690



REG. #A2601
ISO #9001

Model No.

MPZ-2DCN-06

Item No.

Travelers Rest, SC: 800-476-4103 • Simi Valley, CA: 800-423-0150 • Fax: 864-834-3518 • www.tsbrass.com

This Space for Architect/Engineer Approval

Job Name _____ Date _____

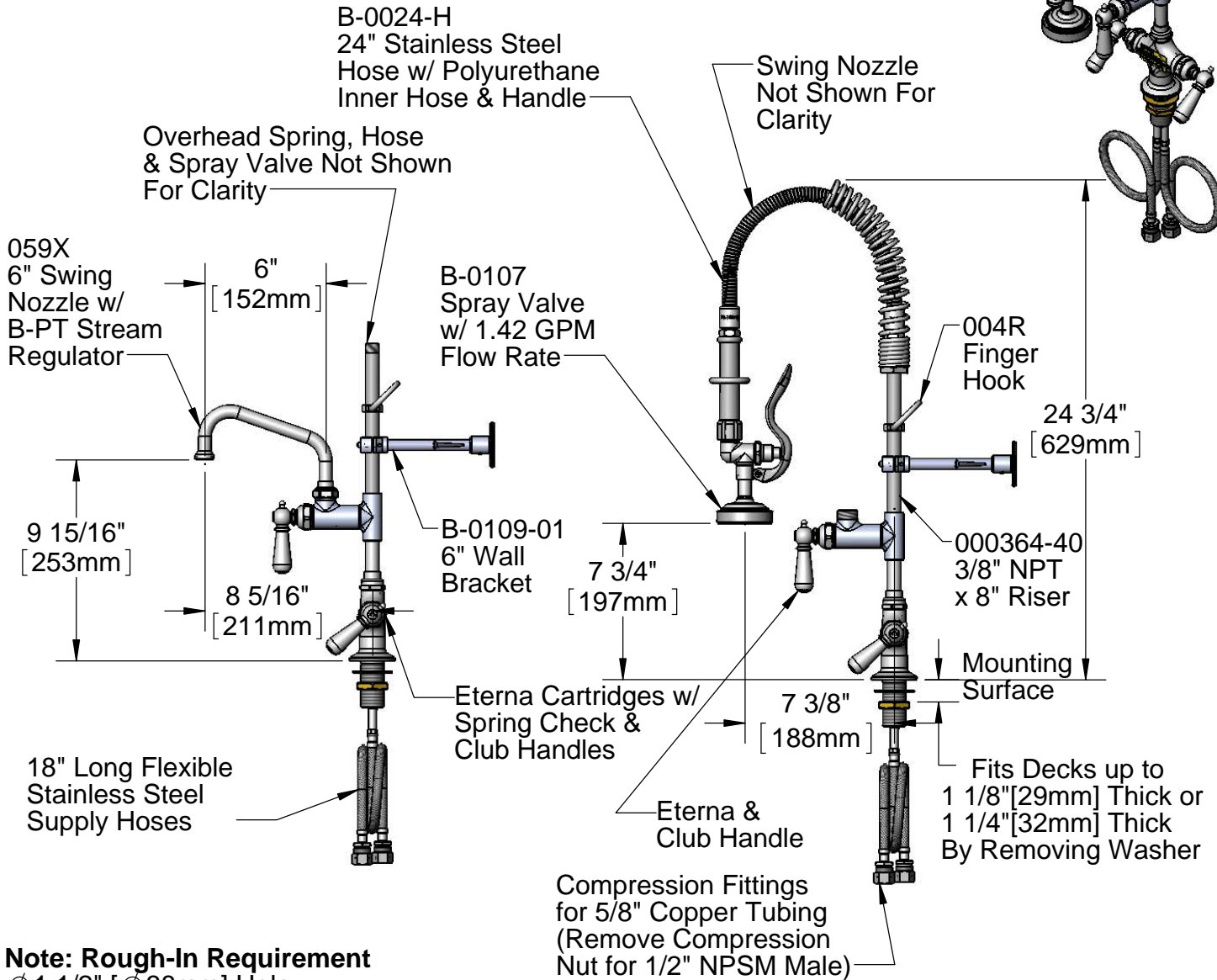
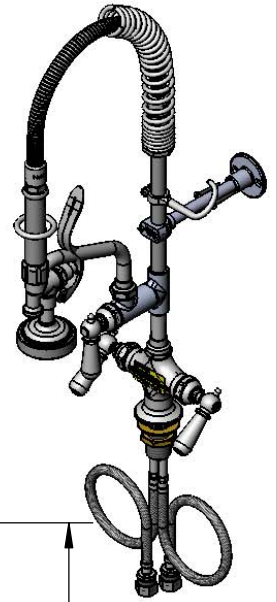
Model Specified _____ Quantity _____

Customer/Wholesaler _____

Contractor _____

Architect/Engineer _____

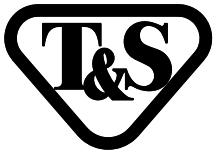
EPAct2005 Compliant
For Commercial Use Only



Note: Rough-In Requirement
 ϕ 1 1/2" [ϕ 38mm] Hole
 (ϕ 1 1/4" [ϕ 32mm] Minimum)

Product Specifications:
 Easy Install Pre-Rinse Unit:
 Single Deck Mount Base Mixing Faucet, Add-On Faucet,
 6" Swing Nozzle, Compact Spring & Flex Hose, B-0107
 Spray Valve, 6" Wall Bracket & Club Handles

Drawn	Checked	Approved
JRM	DHL	JHB
Scale:	Date:	
1:8	09/30/11	



T&S BRASS AND BRONZE WORKS, INC.

2 Saddleback Cove / P.O. Box 1088
Travelers Rest, SC 29690



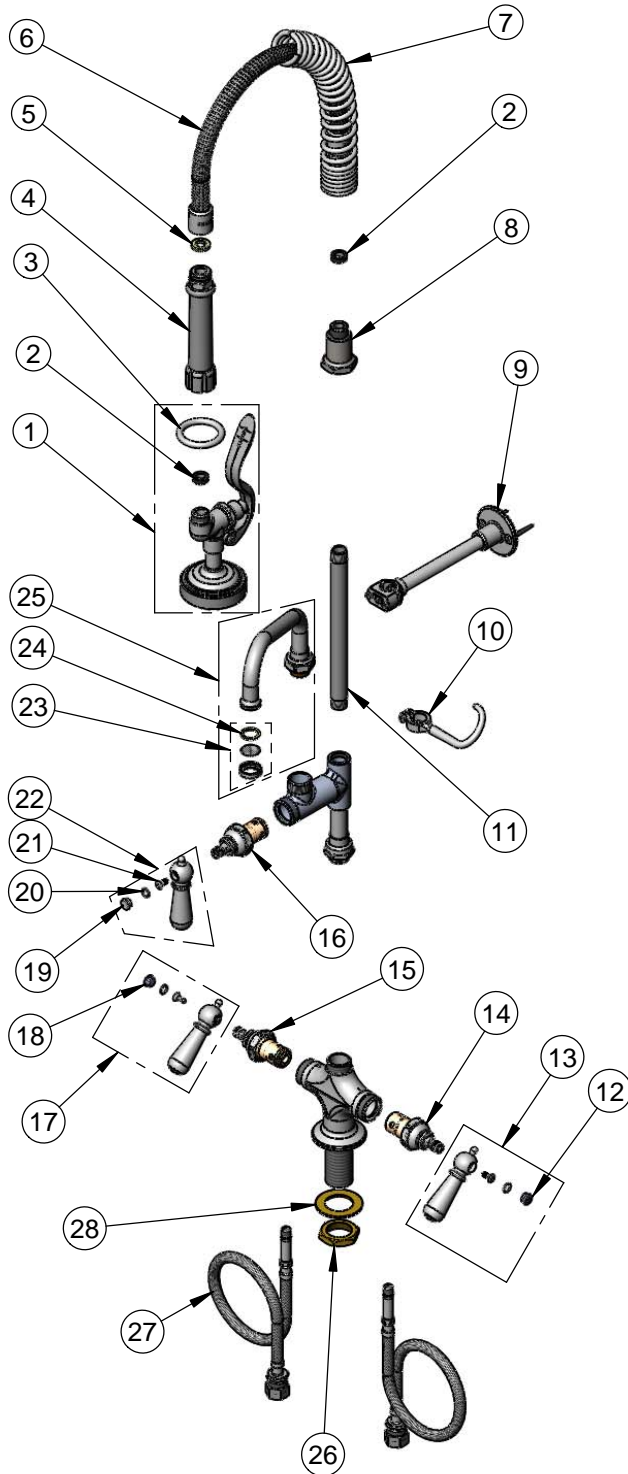
REG. #A2601
ISO #9001

Model No.

MPZ-2DCN-06

Item No.

Travelers Rest, SC: 800-476-4103 • Simi Valley, CA: 800-423-0150 • Fax: 864-834-3518 • www.tsbrass.com



ITEM NO.	SALES NO.	DESCRIPTION
1	B-0107	1.42 GPM Spray Valve
2	010476-45	#27 Washer
3	000907-45	Hold Down Ring
4	002987-40	Grip Handle Assembly
5	001014-45	Washer, B-0100 Hose Barrel
6	B-0024-H2A	24" Flex Hose Less Handle
7	016795-45	Compact Pre-Rinse Spring
8	000821-40	Spring Body
9	B-0109-01	6" Wall Bracket
10	004R	Finger Hook
11	000364-40	3/8" x 8" Riser
12	009304-41	Cap Insert, Cold
13	009331-41	Decorative Handle Asm-Cold
14	012442-40	Cold Eterna w/ Spring Check
15	012443-40	Hot Eterna w/ Spring Check
16	007947-40	1/4 Turn Eterna "Hot"
17	009332-41	Decorative Handle Asm-Hot
18	009303-41	Cap Insert, Hot
19	009285-41	Cap Insert, Blank
20	001066-45	O-Ring
21	000922-45	Screw, Lever
22	017181-41	Decorative Handle Asm-Blank
23	B-PT	Stream Regulator Outlet
24	001038-45	Nozzle Tip Washer
25	059X	6" Swing Nozzle
26	000965-45	Lock Nut
27	012534-45	Flexible Connector Hose (2)
28	007365-45	Lock Washer

Product Specifications:

Easy Install Pre-Rinse Unit:
Single Deck Mount Base Mixing Faucet, Add-On Faucet,
6" Swing Nozzle, Compact Spring & Flex Hose, B-0107
Spray Valve, 6" Wall Bracket & Club Handles

Drawn	Checked	Approved
JRM	DHL	JHB
Scale:		Date:
NTS		09/30/11