



# T&S BRASS AND BRONZE WORKS, INC.

2 Saddleback Cove / P.O. Box 1088  
Travelers Rest, SC 29690



REG. #A2601  
ISO #9001

Model No.

**MPZ-2DLN-06**

Item No.

Travelers Rest, SC: 800-476-4103 • Simi Valley, CA: 800-423-0150 • Fax: 864-834-3518 • www.tsbrass.com

This Space for Architect/Engineer Approval

Job Name \_\_\_\_\_ Date \_\_\_\_\_

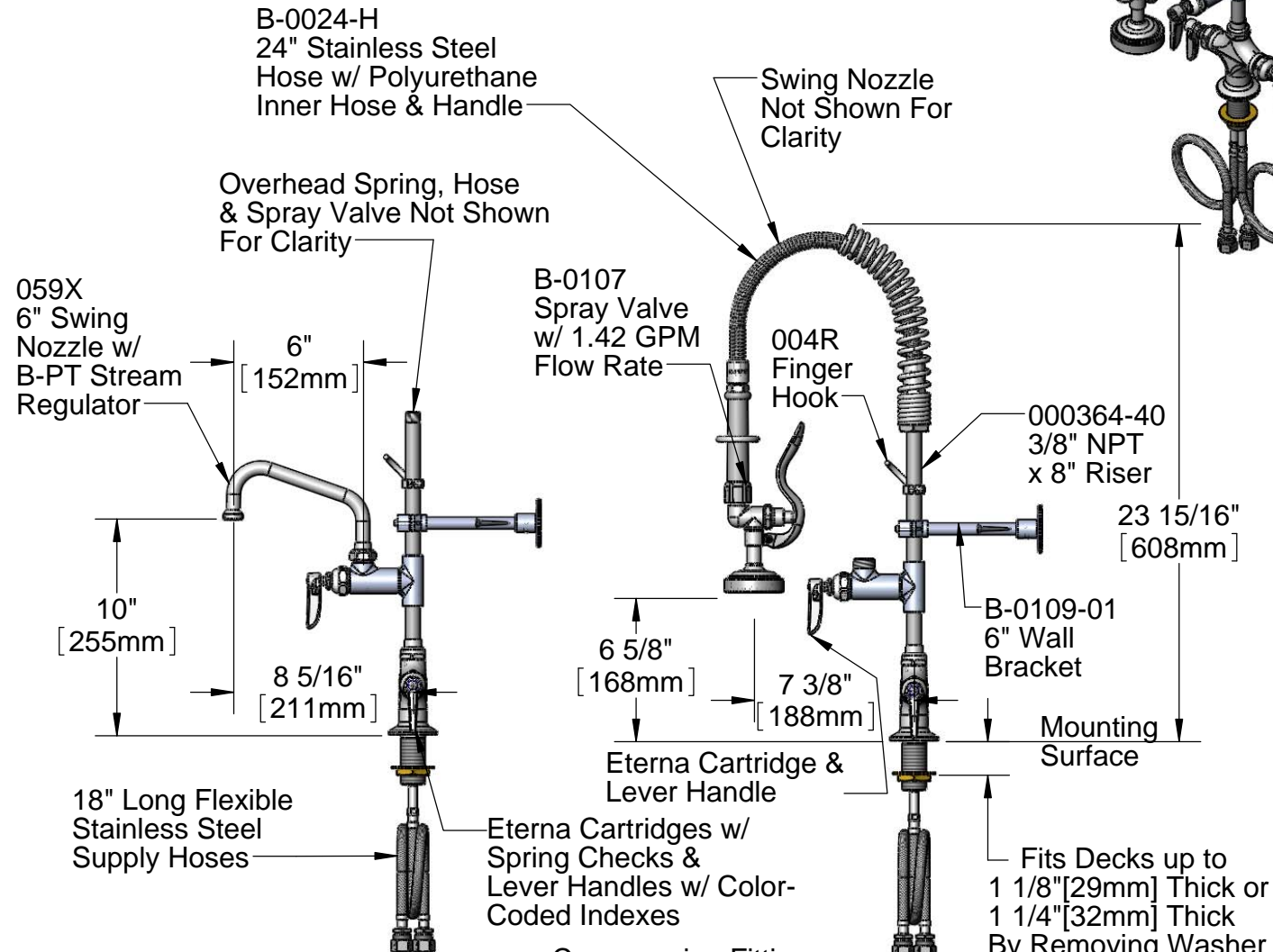
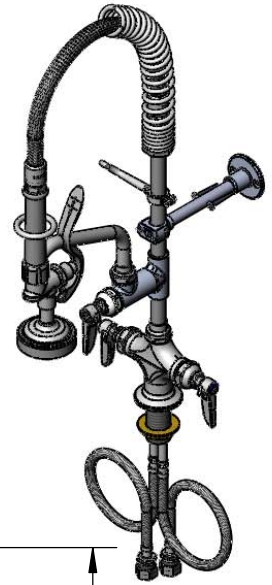
Model Specified \_\_\_\_\_ Quantity \_\_\_\_\_

Customer/Wholesaler \_\_\_\_\_

Contractor \_\_\_\_\_

Architect/Engineer \_\_\_\_\_

EPAct2005 Compliant  
For Commercial Use Only



Note: Rough-In Requirement  
ϕ 1 1/2" [ϕ 38mm] Hole  
( ϕ 1 1/4" [ϕ 32mm] Minimum)

Product Specifications:  
Easy Install Pre-Rinse Unit:  
Single Deck Mount Base Mixing Faucet, Add-On Faucet,  
6" Swing Nozzle, Compact Spring & Flex Hose, B-0107  
Spray Valve, 6" Wall Bracket & Lever Handles

Drawn	Checked	Approved
JRM	DMH	JHB
Scale:	Date:	
1:8	07/14/11	



# T&S BRASS AND BRONZE WORKS, INC.

2 Saddleback Cove / P.O. Box 1088  
Travelers Rest, SC 29690



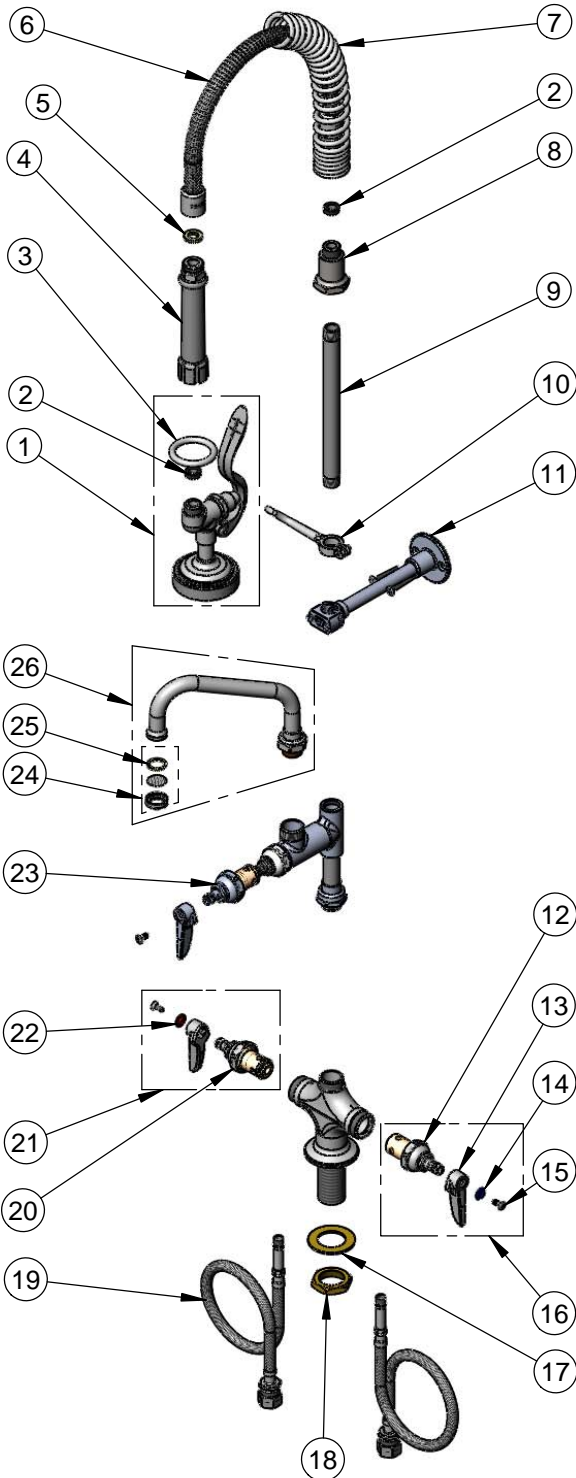
REG. #A2601  
ISO #9001

Model No.

**MPZ-2DLN-06**

Item No.

Travelers Rest, SC: 800-476-4103 • Simi Valley, CA: 800-423-0150 • Fax: 864-834-3518 • www.tsbrass.com



ITEM NO.	SALES NO.	DESCRIPTION
1	B-0107	1.42 GPM Spray Valve
2	010476-45	#27 Washer
3	000907-45	Spray Valve Hold Down Ring
4	002987-40	Grip Handle Assembly
5	001014-45	Washer, B-0100 Hose Barrel
6	B-0024-H2A	24" Flex Hose Asm. Less Handle
7	016795-45	Compact Spring
8	000821-40	Spring Body
9	000364-40	3/8" x 8" Riser
10	004R	Finger Hook Assembly
11	B-0109-01	6" Wall Bracket Assembly
12	012442-40	Cold Eterna w/ Spring Check
13	001638-45	Lever Handle
14	001660-45	Blue Index-CW
15	000922-45	Lever Handle Screw
16	002711-40	Cold Eterna Cartridge LTC w/ Spring Check, Handle, Index & Screw
17	002290-45	Lock Washer
18	000965-45	Lock Nut
19	012534-45	Flexible Connector Hose
20	012443-40	Hot Eterna w/ Spring Check
21	002712-40	Hot Eterna Cartridge RTC w/ Spring Check, Handle, Index & Screw
22	001661-45	Red Index-HW
23	007947-40	1/4 Turn RTC Eterna Cartridge
24	B-PT	Stream Regulator Outlet
25	001048-45	Nozzle Tip Washer
26	059X	6" Swing Nozzle

**Product Specifications:**

Easy Install Pre-Rinse Unit:  
Single Deck Mount Base Mixing Faucet, Add-On Faucet,  
6" Swing Nozzle, Compact Spring & Flex Hose, B-0107  
Spray Valve, 6" Wall Bracket & Lever Handles

Drawn

JRM

Checked

DMH

Approved

JHB

Scale:

NTS

Date:

07/14/11