



T&S BRASS AND BRONZE WORKS, INC.

2 Saddleback Cove / P.O. Box 1088
Travelers Rest, SC 29690



REG. #A2601
ISO #9001

Model No.

MPZ-2DWN-06

Item No.

Travelers Rest, SC: 800-476-4103 Simi Valley, CA: 800-423-0150 Fax: 864-834-3518 www.tsbrass.com

This Space for Architect/Engineer Approval

Job Name _____ Date _____

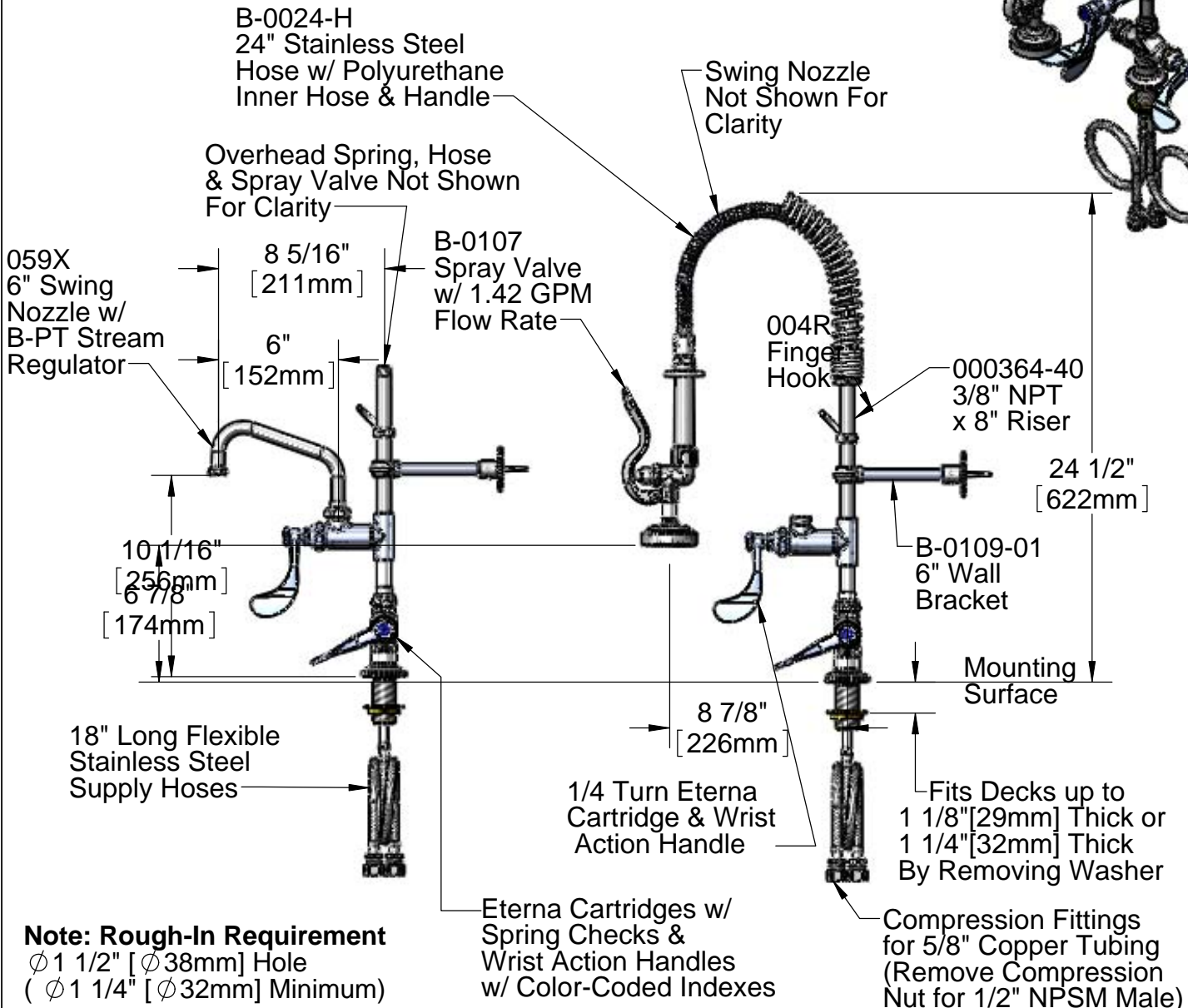
Model Specified _____ Quantity _____

Customer/Wholesaler _____

Contractor _____

Architect/Engineer _____

EPAct2005 Compliant
For Commercial Use Only



Product Specifications:
**Easy Install Pre-Rinse Unit:
Single Deck Mount Base Mixing Faucet, Add-On Faucet,
6" Swing Nozzle, Compact Spring & Flex Hose, B-0107
Spray Valve, 6" Wall Bracket & Wrist Action Handles**

Drawn JRM	Checked DMH	Approved JHB
Scale: 1:8	Date: 10/01/10	



T&S BRASS AND BRONZE WORKS, INC.

2 Saddleback Cove / P.O. Box 1088
Travelers Rest, SC 29690



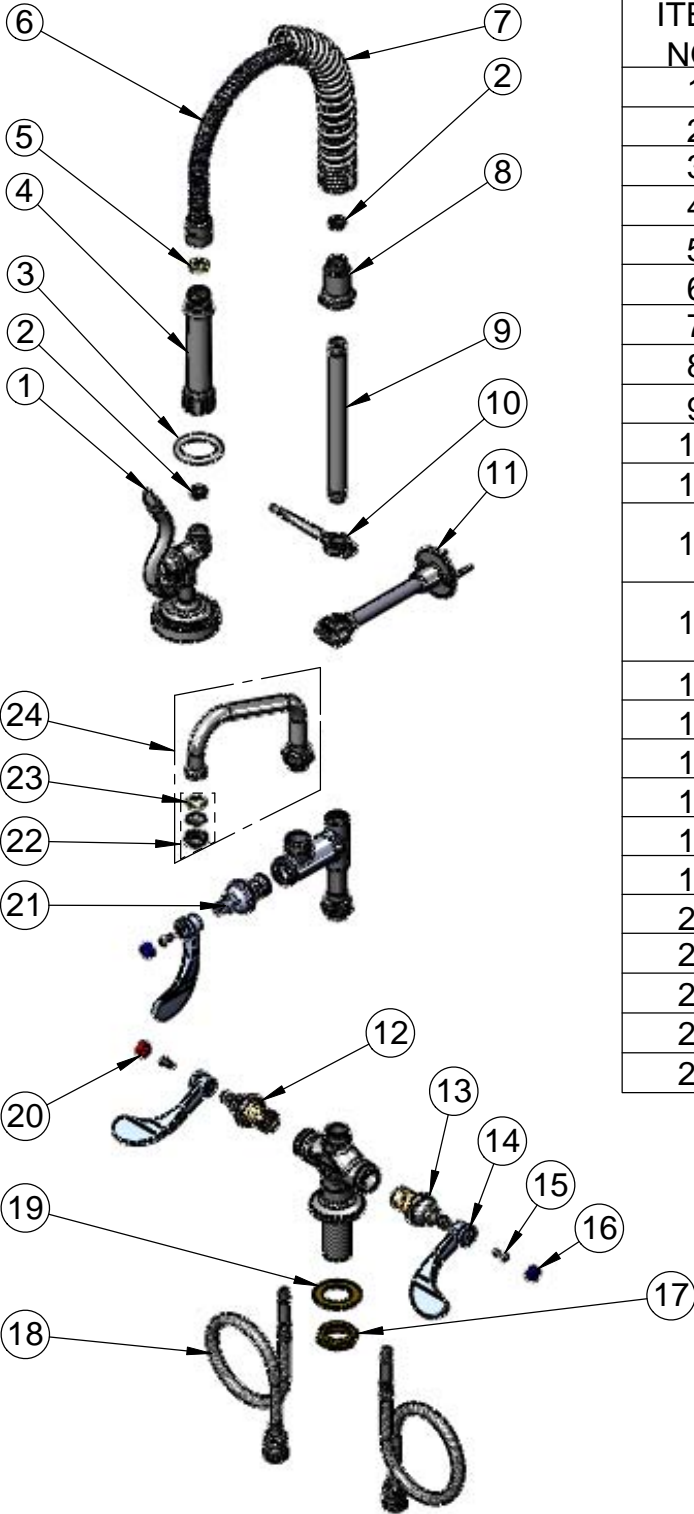
REG. #A2601
ISO #9001

Model No.

MPZ-2DWN-06

Item No.

Travelers Rest, SC: 800-476-4103 Simi Valley, CA: 800-423-0150 Fax: 864-834-3518 www.tsbrass.com



ITEM NO.	SALES NO.	DESCRIPTION
1	B-0107	1.42 GPM Spray Valve
2	010476-45	#27 Washer
3	000907-45	Spray Valve Hold Down Ring
4	002987-40	Grip Handle Assembly
5	001014-45	Washer, B-0100 Hose Barrel
6	B-0024-H2A	24" Flex Hose Asm. Less Handle
7	016795-45	Compact Spring
8	000821-40	Spring Body
9	000364-40	3/8" x 8" Riser
10	004R	Finger Hook Assembly
11	B-0109-01	6" Wall Bracket Assembly
12	012443-40	Hot Eterna Spindle Assembly w/ Spring Check
13	012442-40	Cold Eterna Spindle Assembly w/ Spring Check
14	B-WH4	4" Wrist Action Handle
15	000925-45	Lab Handle Screw
16	001686-45	Blue CW Index
17	000965-45	Lock Nut
18	012534-45	Flexible Connector Hose
19	002290-45	Lock Washer
20	001194-45	Red HW Index
21	007947-40	Quarter Turn Spindle Assembly
22	B-PT	Stream Regulator Outlet
23	001048-45	Nozzle Tip Washer
24	059X	6" Swing Nozzle

Product Specifications:

Easy Install Pre-Rinse Unit:
Single Deck Mount Base Mixing Faucet, Add-On Faucet,
6" Swing Nozzle, Compact Spring & Flex Hose, B-0107
Spray Valve, 6" Wall Bracket & Wrist Action Handles

Drawn	Checked	Approved
JRM	DMH	JHB
Scale:		Date:
NTS		10/01/10