



T&S BRASS AND BRONZE WORKS, INC.

2 Saddleback Cove / P.O. Box 1088
Travelers Rest, SC 29690



REG. #A2601
ISO #9001

Model No.
MPZ-8DCN-08

Item No.

Travelers Rest, SC: 800-476-4103 Simi Valley, CA: 800-423-0150 Fax: 864-834-3518 www.tsbrass.com

This Space for Architect/Engineer Approval

Job Name _____ Date _____

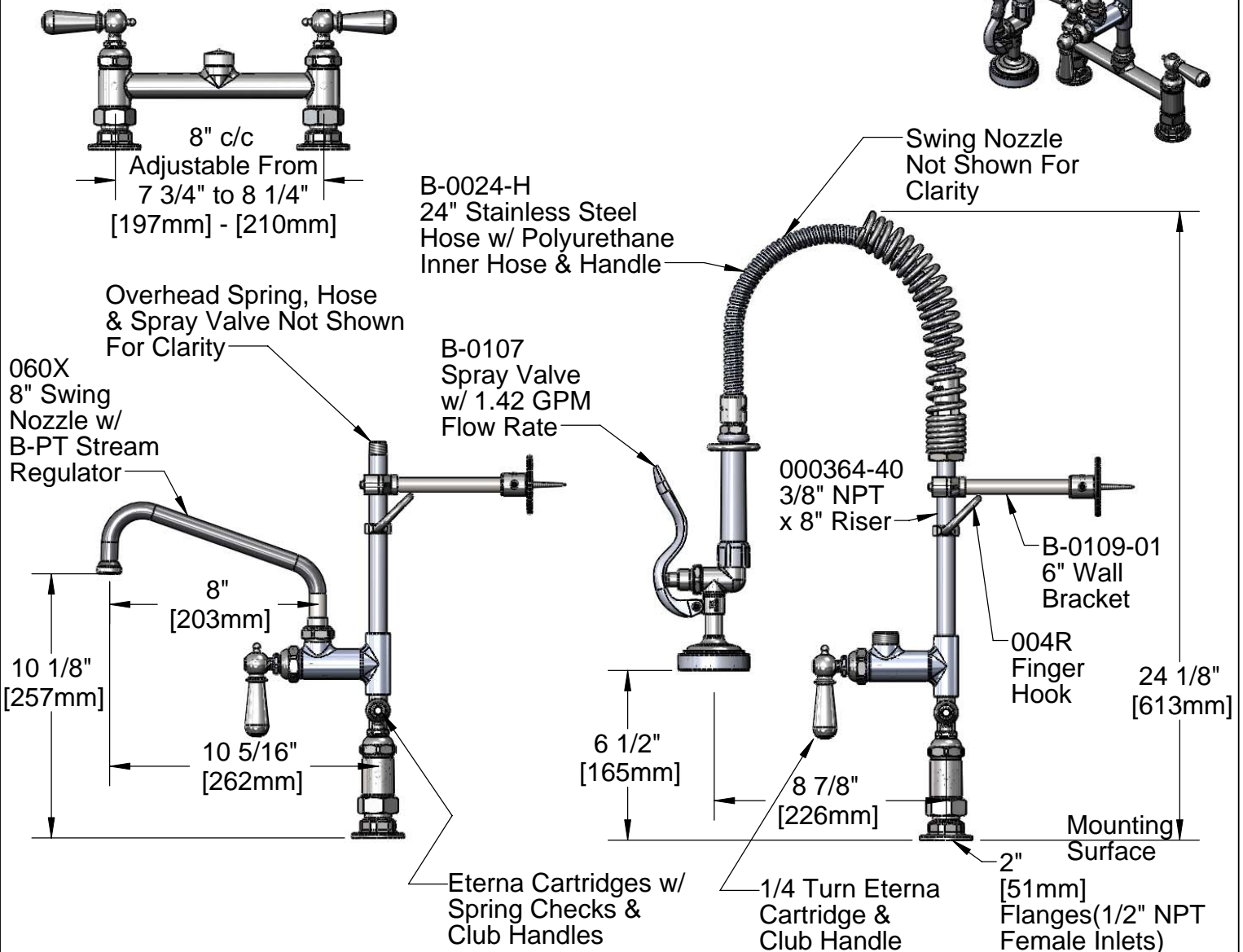
Model Specified _____ Quantity _____

Customer/Wholesaler _____

Contractor _____

Architect/Engineer _____

EPAct2005 Compliant
For Commercial Use Only



Product Specifications:

**Easy Install Pre-Rinse Unit:
8" Deck Mount Mixing Faucet, Add-On Faucet,
8" Swing Nozzle, Compact Spring & Flex Hose, B-0107
Spray Valve, 6" Wall Bracket & Club Handles**

Drawn JRM	Checked DMH	Approved JHB
Scale: NTS		Date: 10/21/09



T&S BRASS AND BRONZE WORKS, INC.

2 Saddleback Cove / P.O. Box 1088
Travelers Rest, SC 29690



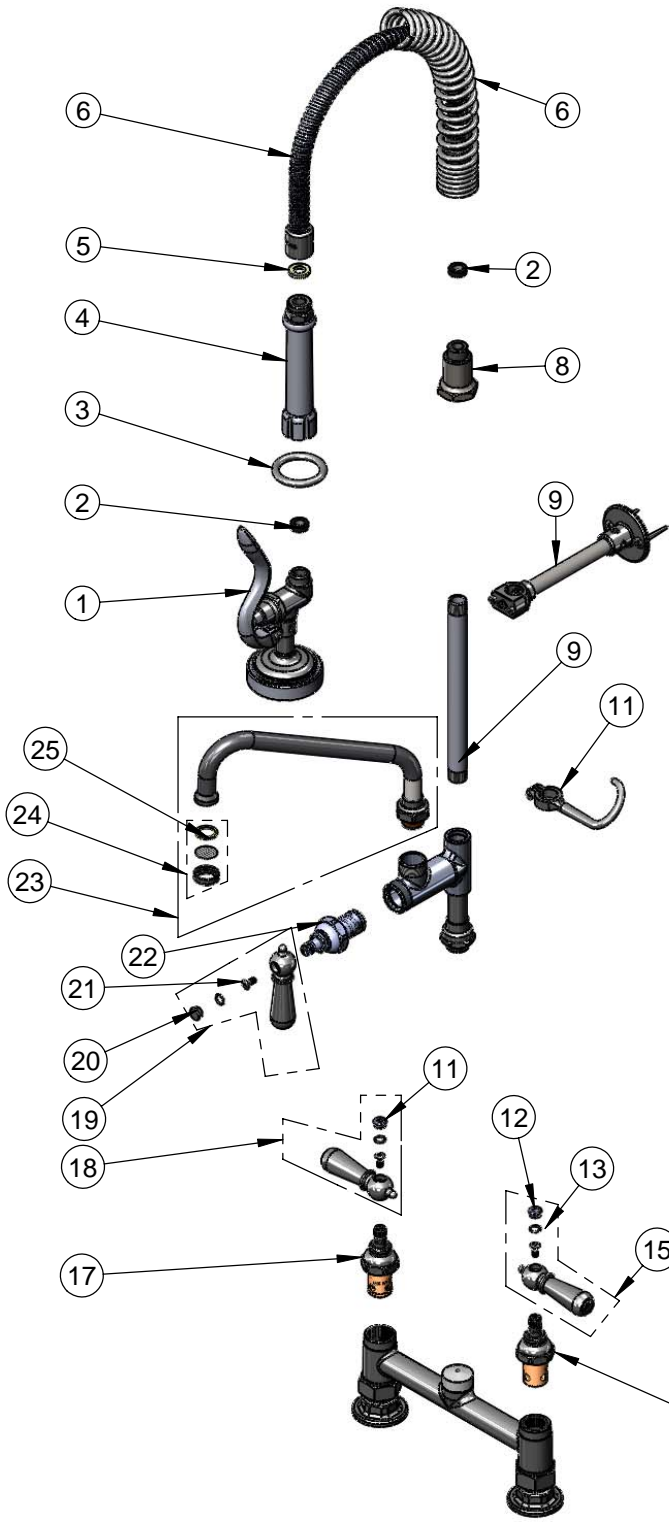
REG. #A2601
ISO #9001

Model No.

MPZ-8DCN-08

Item No.

Travelers Rest, SC: 800-476-4103 Simi Valley, CA: 800-423-0150 Fax: 864-834-3518 www.tsbrass.com



ITEM NO.	SALES NO.	DESCRIPTION
1	B-0107	1.42 GPM Spray Valve
2	010476-45	#27 Washer
3	000907-45	Spray Valve Hold Down Ring
4	002987-40	Grip Handle Assembly
5	001014-45	Washer, B-0100 Hose Barrel
6	016795-45	Compact Spring
7	000821-40	Spring Body
8	B-0109-01	Bracket Assembly, 6" Wall
9	000364-40	3/8" x 8" Riser
10	004R	Finger Hook Assembly
11	009303-41	Decorative Cap Insert, Hot
12	009304-41	Decorative Cap Insert, Cold
13	001066-45	O-Ring
15	009331-41	Decorative Club Asm, Cold
16	012442-40	Cold Eterna Spindle Assembly w/ Spring Check
17	012443-40	Hot Eterna Spindle Assembly w/ Spring Check
18	009332-41	Decorative Club Asm, Hot
19	017181-41	Decorative Club Asm, Blank
20	009285-40	Cap Insert Blank
21	000922-45	Lever Handle Screw
22	007947-40	Quarter Turn Spindle Assembly
23	060X	8" Swing Nozzle
24	B-PT	Stream Regulator Outlet
25	001048-45	Nozzle Tip Washer

Product Specifications:

Easy Install Pre-Rinse Unit:
8" Deck Mount Mixing Faucet, Add-On Faucet,
8" Swing Nozzle, Compact Spring & Flex Hose, B-0107
Spray Valve, 6" Wall Bracket & Club Handles

Drawn JRM	Checked DMH	Approved JHB
Scale: NTS		Date: 10/21/09