



**T&S BRASS AND BRONZE WORKS, INC.**

2 Saddleback Cove / P.O. Box 1088  
Travelers Rest, SC 29690



REG. #A2601  
ISO #9001

Model No.  
MPZ-8WCN-08

Item No.

Travelers Rest, SC: 800-476-4103 Simi Valley, CA: 800-423-0150 Fax: 864-834-3518 www.tsbrass.com

This Space for Architect/Engineer Approval

Job Name \_\_\_\_\_ Date \_\_\_\_\_

Model Specified \_\_\_\_\_ Quantity \_\_\_\_\_

Customer/Wholesaler \_\_\_\_\_

Contractor \_\_\_\_\_

Architect/Engineer \_\_\_\_\_

EPAAct2005 Compliant

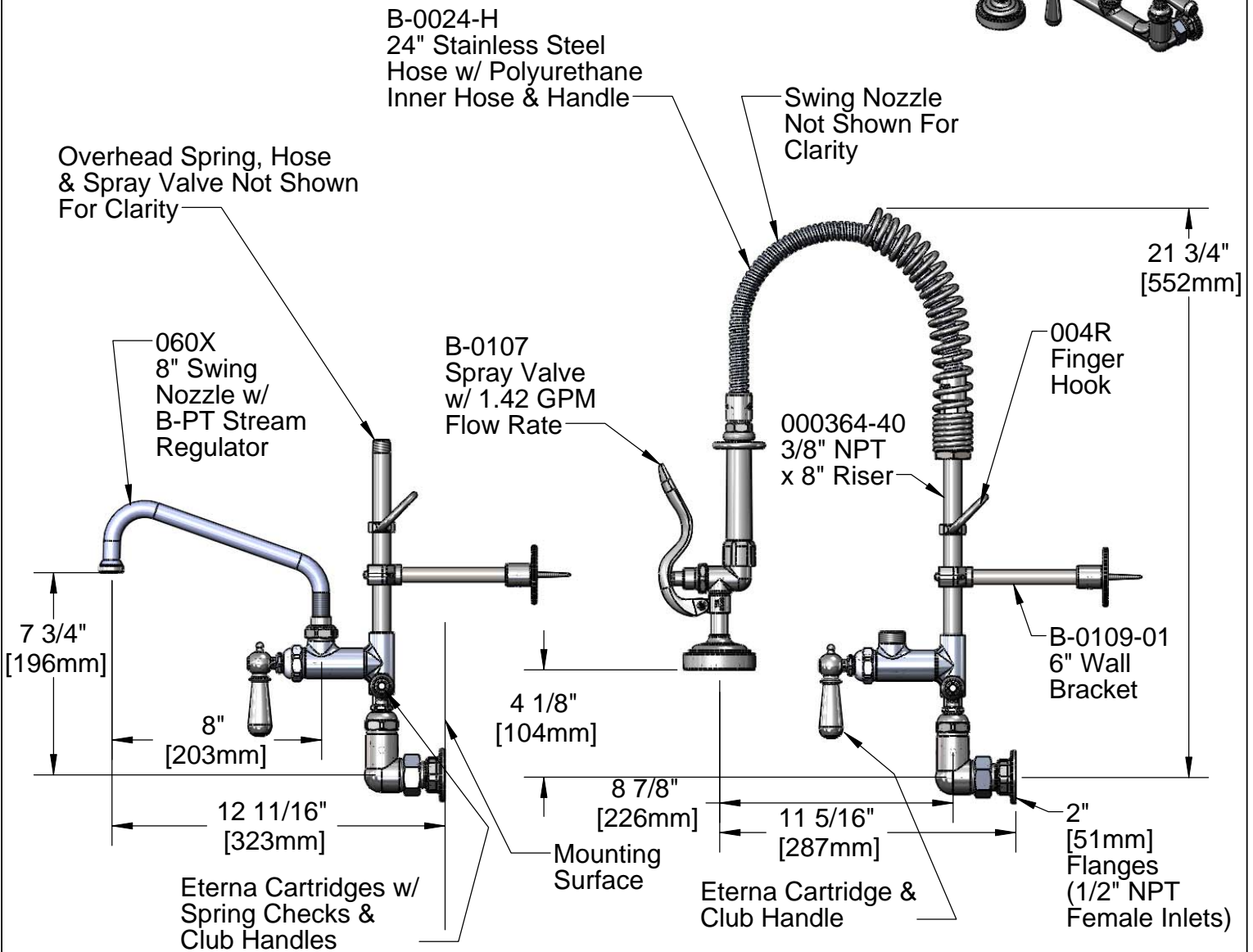
For Commercial Use Only



B-0024-H  
24" Stainless Steel  
Hose w/ Polyurethane  
Inner Hose & Handle

Swing Nozzle  
Not Shown For  
Clarity

Overhead Spring, Hose  
& Spray Valve Not Shown  
For Clarity



Product Specifications:

**Easy Install Pre-Rinse Unit:  
8" Wall Mount Mixing Faucet, Add-On Faucet,  
8" Swing Nozzle, Compact Spring & Flex Hose, B-0107  
Spray Valve, 6" Wall Bracket & Club Handles**

Drawn JRM	Checked DMH	Approved JHB
Scale: 1:8		Date: 07/15/10



# T&S BRASS AND BRONZE WORKS, INC.

2 Saddleback Cove / P.O. Box 1088  
Travelers Rest, SC 29690



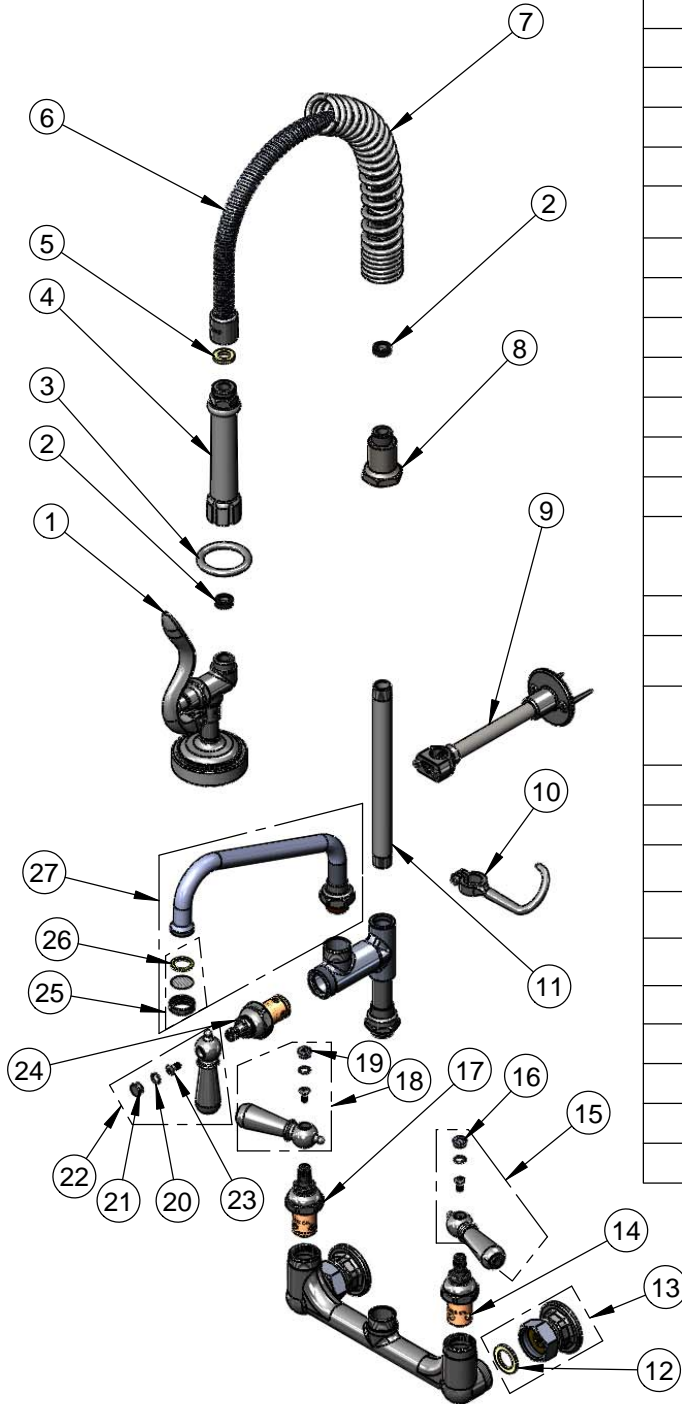
REG. #A2601  
ISO #9001

Model No.

**MPZ-8WCN-08**

Item No.

Travelers Rest, SC: 800-476-4103 Simi Valley, CA: 800-423-0150 Fax: 864-834-3518 www.tsbrass.com



ITEM NO.	SALES NO.	DESCRIPTION
1	B-0107	1.42 GPM Spray Valve
2	010476-45	#27 Washer
3	000907-45	Hold Down Ring
4	002987-40	Grip Handle Assembly
5	001014-45	Washer, B-0100 Hose Barrel
6	B-0024-H2A	24" Flex Hose Less Handle
7	016795-45	Compact Pre-Rinse Spring
8	000821-40	Spring Body
9	B-0109-01	Bracket Assembly, 6" Wall
10	004R	Finger Hook
11	000364-40	3/8" x 8" Riser
12	006925-45	Coupling Nut Washer
13	00AA	00AA Flange Assembly
14	012442-40	Cold Eterna Spindle Assembly w/ Spring Check
15	009331-41	Decorative Handle Asm-Cold
16	009304-41	Cap Insert, Cold
17	012443-40	Hot Eterna Spindle Assembly w/ Spring Check
18	009332-41	Decorative Handle Asm-Hot
19	009303-41	Cap Insert, Hot
20	001066-45	O-Ring
21	009285-41	Cap Insert, Blank
22	017181-41	Decorative Handle Asm-Blank
23	000922-45	Screw
24	007947-40	1/4 Turn Eterna "Hot"
25	B-PT	Stream Regulator Outlet
26	001038-45	Nozzle Tip Washer
27	060X	060X Swing Nozzle Asm

Product Specifications:

Easy Install Pre-Rinse Unit:  
8" Wall Mount Mixing Faucet, Add-On Faucet,  
8" Swing Nozzle, Compact Spring & Flex Hose, B-0107  
Spray Valve, 6" Wall Bracket & Club Handles

Drawn	Checked	Approved
<b>JRM</b>	<b>DMH</b>	<b>JHB</b>
Scale:		Date:
<b>1:8</b>		<b>07/15/10</b>