



T&S BRASS AND BRONZE WORKS, INC.
 2 SADDLEBACK COVE / P.O. BOX 1088 / TRAVELERS REST, SC 29690
 PHONE 800-476-4103 - FAX 864- 834-3518

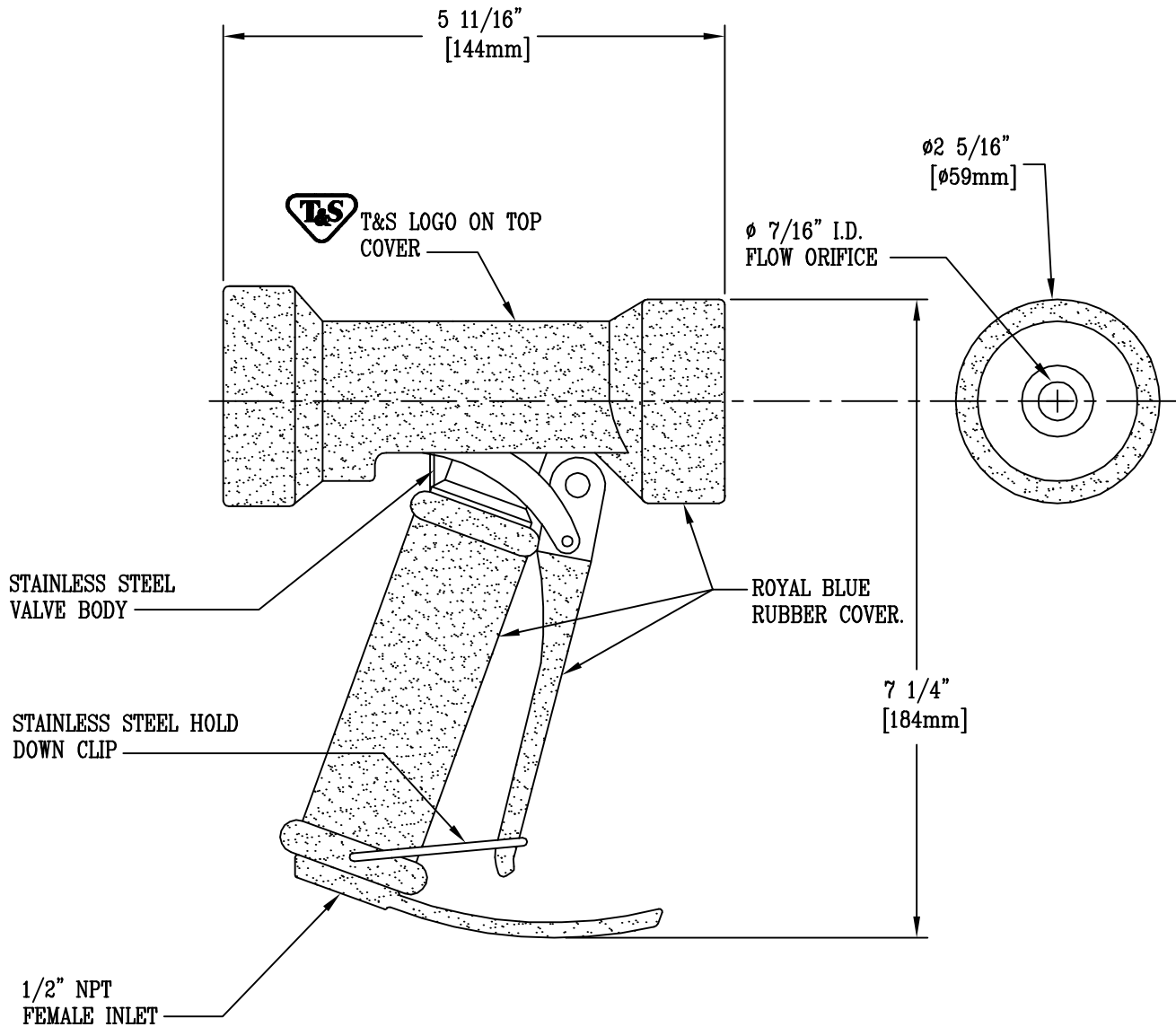


Model No.
 MV-2522-34
**RELIABILITY
 BUILT IN**

Job Name:

Architect/Engineer Approval:

Notes:



Product Description:
 STAINLESS STEEL WATER GUN, FRONT TRIGGER,
 7/16" FLOW ORIFICE, RUBBER COVER.

Drawn:
 LEL
 Approved
 MVW

Checked
 JKD

Scale:
 1 : 2
 Date:
 12/12/02