



**T&S BRASS AND BRONZE WORKS, INC.**  
 2 SADDLEBACK COVE / P.O. BOX 1088 / TRAVELERS REST, SC 29690  
 PHONE 800-476-4103 - FAX 864- 834-3518



Model No.

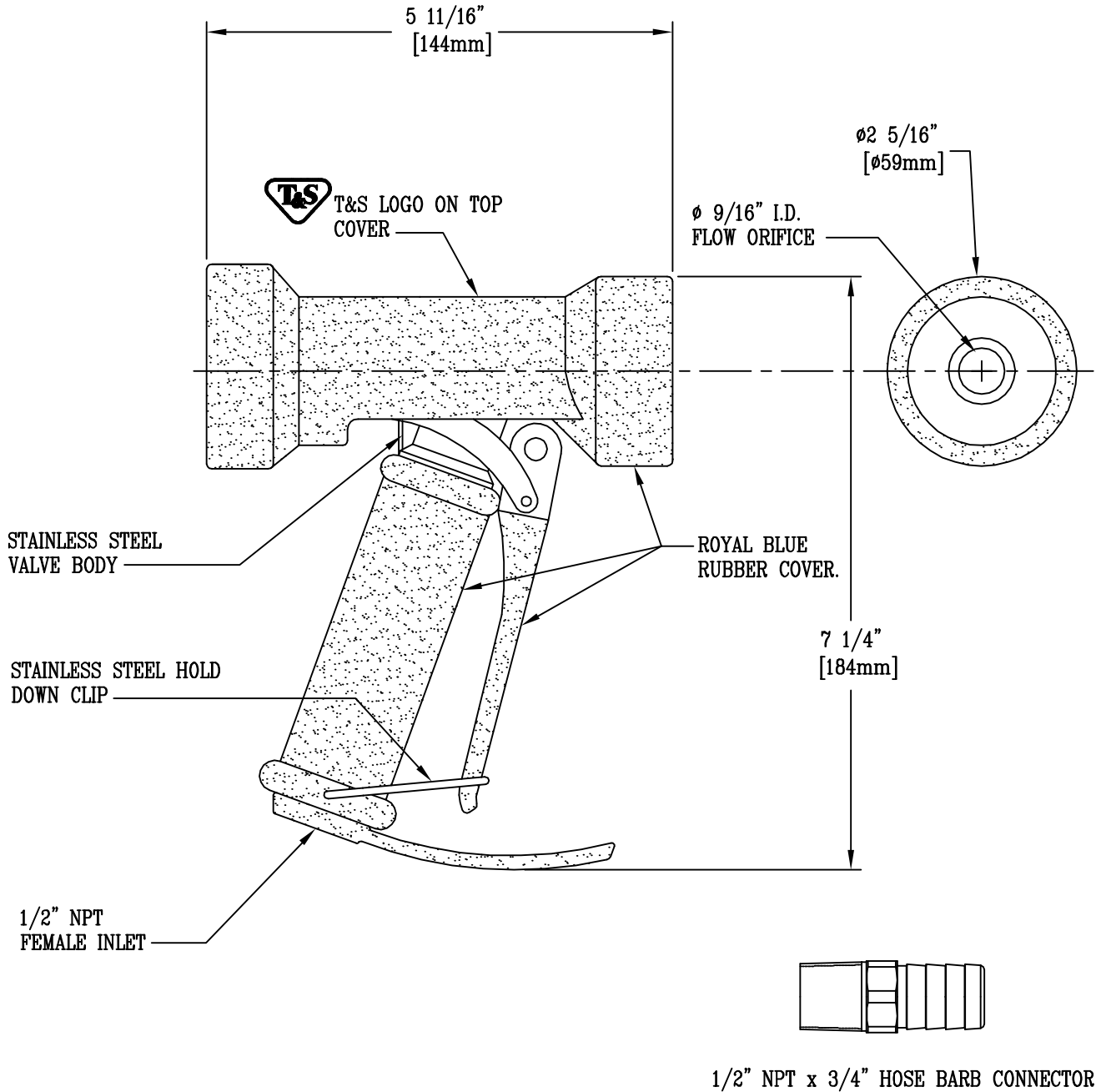
MV-2522-42

**RELIABILITY  
 BUILT IN**

Job Name:

Architect/Engineer Approval:

Notes:



Product Description:  
 STAINLESS STEEL WATER GUN, FRONT TRIGGER,  
 9/16" FLOW ORIFICE, RUBBER COVER  
 WITH 1/2" NPT x 3/4" HOSE BARB CONNECTOR

|                 |                |                   |
|-----------------|----------------|-------------------|
| Drawn:<br>LEL   | Checked<br>JKD | Scale:<br>1 : 2   |
| Approved<br>MVW |                | Date:<br>12/12/02 |