



# T&S BRASS AND BRONZE WORKS, INC.

2 Saddleback Cove / P.O. Box 1088  
Travelers Rest, SC 29690



REG. #A2601  
ISO #9001

Model No.

**POSI-SET**

Item No.

Travelers Rest, SC: 800-476-4103 Simi Valley, CA: 800-423-0150 Fax: 864-834-3518 www.tsbrass.com

This Space for Architect/Engineer Approval

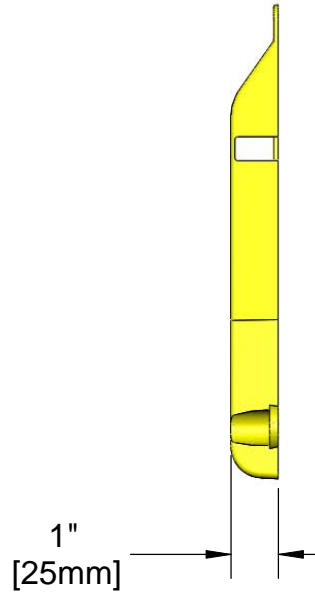
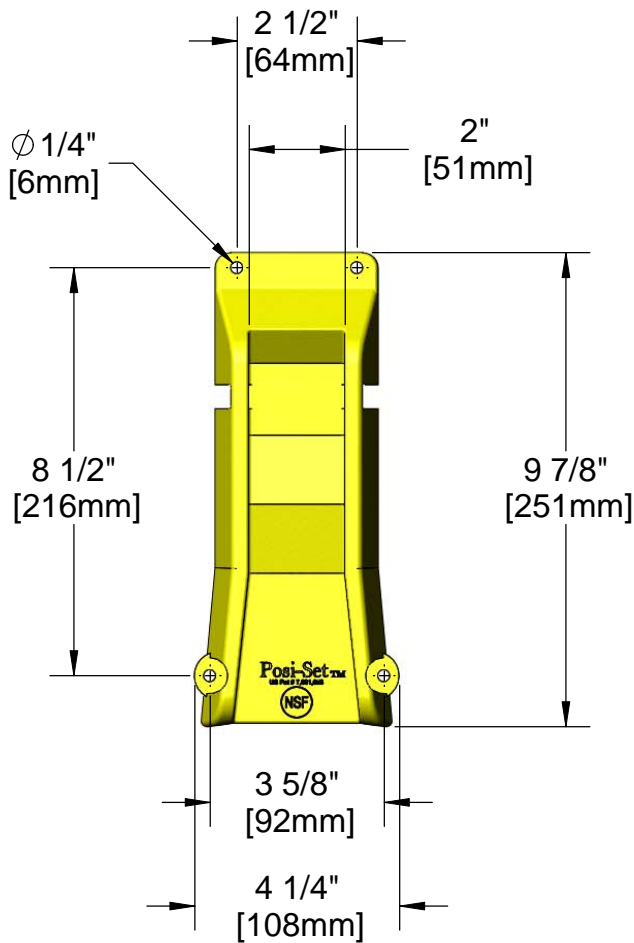
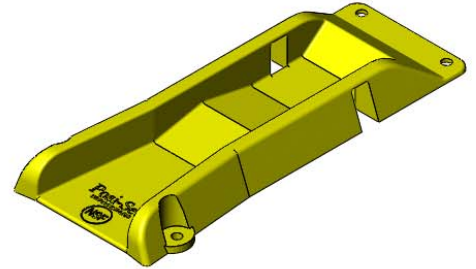
Job Name \_\_\_\_\_ Date \_\_\_\_\_

Model Specified \_\_\_\_\_ Quantity \_\_\_\_\_

Customer/Wholesaler \_\_\_\_\_

Contractor \_\_\_\_\_

Architect/Engineer \_\_\_\_\_



Includes: Set of (2) Units, Mounting Screws (#10-24) and Screw Anchors.

Made of Heat and Impact Resistant Plastic.

US Patent # 7,581,623

Product Specifications:  
**Posi-Set Appliance Locating Device**

|                      |                       |                          |
|----------------------|-----------------------|--------------------------|
| Drawn<br><b>DMH</b>  | Checked<br><b>KJG</b> | Approved<br><b>JHB</b>   |
| Scale:<br><b>1:4</b> |                       | Date:<br><b>07/23/10</b> |