

Turbo air
 more durable, convenient, beautiful

1250 Victoria St
 Carson, CA 90746
 Tel. 310-900-1000
 Fax. 310-900-1077
www.turboairinc.com

Project :	
Model # :	
Item # :	Qty :
Available W/H :	
Approval :	

Diamond Show Case

Display Cases
 Refrigerated Show Cases

Model : CRT-77-2R



CRT-77-2R

* Pass Through

≡ FEATURES / BENEFITS ≡

- **EFFICIENT REFRIGERATION SYSTEM**
 Turbo Air's refrigerators are designed with oversized and balanced R-134A (CFC Free) refrigeration. These include efficient evaporators and condensers for faster cooling and greater efficiency.
- **BEAUTIFUL 4 SIDED GLASS CABINET ALLOWS VISIBILITY FROM ALL SIDES TO OPTIMIZE DISPLAY EFFECT**
- **SAFETY SHIELDED 4 LED LIGHTING SYSTEM ON EVERY CORNER OF THE CABINET ENSURES A LONGER LIFE AND BRIGHTER LIGHTING THAN FLUORESCENT LIGHT BULBS, PROVIDING ATTRACTIVE, ENHANCED AND SHADOW-FREE ILLUMINATION**
- **COMPACT SIZE AND COUNTERTOP DESIGN OCCUPIES MINIMUM SPACE BUT MAXIMIZE IMPULSE SALES**
- **ITS GREAT SPACE EFFICIENCY IS IDEAL FOR NARROW SPACE RESTAURANTS AND CONVENIENCE STORES**
- **ELEGANT CONTEMPORARY EURO DESIGN WILL ENHANCE THE INTERIOR AND SPACE DECORATION OF ANY STORE**
- **STURDY, CLEAN STAINLESS SHELVING**
 Shelves are the most important part of cleanliness as they come in direct contact with food. After a while, PVC coated wire shelves may peel, rust and lead to unsanitary conditions. Only the Turbo Air Diamond Show Case uniquely provides stainless shelving.



Model	Swing Door	CU./FT.	# of Shelves	HP	AMPS	Crated Weight (lbs.)	L x D x H (inches)
CRT-77-2R	2	3.0	3	2/9	2.6	90	163/4 x 167/8 x 381/2

Model : CRT-77-2R

ELECTRICAL DATA	
Voltage	115/60/1
Plug Type	ⓘ NEMA-5-15P
Full Load Amperes	2.6
Compressor HP	2/9
Refrigerant	R-134A
Cord Length (ft.)	6.5
DIMENSIONAL DATA	
Net Capacity cu. ft.	3
Ext. Length Overall in.	16 ³ / ₄ (425mm)
Ext. Depth Overall in.	16 ⁷ / ₈ (427mm)
Ext. Height Overall in.	38 ¹ / ₂ (978mm)
Int. Length Overall in.	14 ³ / ₈ (366mm)
Int. Depth Overall in.	13 ¹ / ₈ (335mm)
Int. Height Overall in.	25 (635mm)
Gross Weight lbs.	90
Net Weight lbs.	82.5
# of Shelves	3
Self Size	14 ³ / ₈ x 12 ³ / ₄

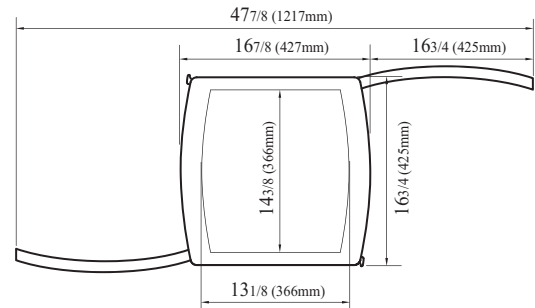
Design and specifications subject to change without notice.
Actual shipping weight may differ due to extra packing materials for product protection.

- **WARRANTY :** 1 Year Parts and Labor Warranty
Additional 4 Year Warranty on Compressor

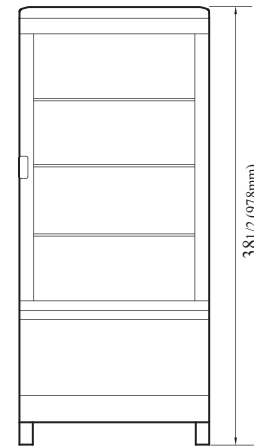
- **SELF-CONTAINED SYSTEM**

PLAN VIEW

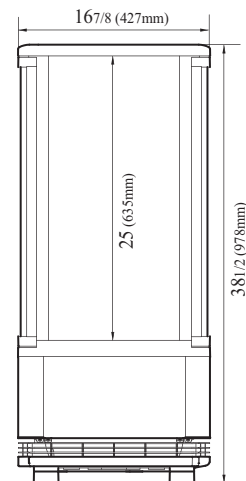
(unit : inch)



PLAN VIEW



FRONT VIEW



SIDE VIEW

Ver.201203



- Turbo Air : 800-627-0032
- GK : 800-500-3519
- Warranty : 800-381-7770
- AC : 888-900-1002