



1250 Victoria St
 Carson, CA 90746
 Tel. 310-900-1000
 Fax. 310-900-1077
www.turboairinc.com

| | |
|-----------------|-------|
| Project : | |
| Model # : | |
| Item # : | Qty : |
| Available W/H : | |
| Approval : | |

Slicers - Light Duty

**LIGHT DUTY
 ECONOMY SLICERS**

Model : GS-10LD



≡ FEATURES / BENEFITS ≡

- 1/3 HP KNIFE MOTOR**
 Powerful 1/3 HP knife motor assures peak performance when slicing the toughest products.
- ANODIZED ALUMINUM CONSTRUCTION**
- ERGONOMIC STYLE CHUTE HANDLE**
 Comfortable and stable ergonomic style grip on the chute handle provides easy glide manual operation.
- SAFETY KNIFE COVER**
- TOP MOUNT KNIFE SHARPENER**
 Sharpener won't get lost or dropped, aligns consistently to the knife and provides single step for easy maintenance. Swings away from food contact area when not in use.
- METAL PLATE PROTECTS UNDERSIDE OF SLICER**
- SLICE THICKNESS ADJUSTMENT**
 Precise slice thickness adjustment let you slice from tissue thin to 9/16" & 7/16" thick.
- FAN COOLED, PERMANENTLY LUBRICATED BALL BEARING MOTOR**
- HARD CHROMED, HOLLOW GROUND KNIFE**
- EASY TO CLEAN SURFACES FOR A HEALTHIER WORK ENVIRONMENT**
- POWERFUL, YET COMPACT**
- EASY TO REMOVE SLICE DEFLECTOR**

| Model | HP | Diameter of Knife (inches) | Crated Weight (lbs.) | L x D x H (inches) |
|----------------|------------|----------------------------|----------------------|------------------------------|
| GS-10LD | 1/3 | 10 | 38 | 185/8 x 111/8 x 145/8 |

Slicers - Light Duty

**LIGHT DUTY
ECONOMY SLICERS**

Model : GS-10LD

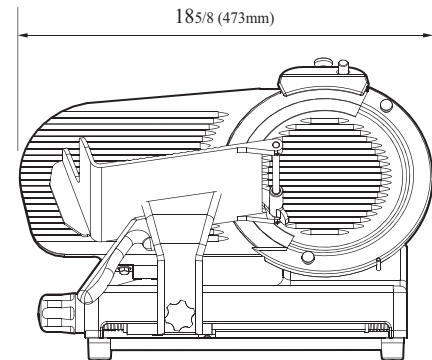
| ELECTRICAL DATA | |
|-------------------------|--------------------------------|
| Motor | 1/3HP • 1PH • 115V • 60Hz |
| | |
| DIMENSIONAL DATA | |
| Diameter of Knife | 10 |
| Cut Thickness | Max slice thickness |
| | 7/16 thick |
| Ext. Length Overall in. | 18 ⁵ / ₈ |
| Ext. Depth Overall in. | 11 ¹ / ₈ |
| Ext. Height Overall in. | 14 ⁵ / ₈ |
| Gross Weight lbs. | 38 |
| Net Weight lbs. | 32 |

Design and specifications subject to change without notice.
Actual shipping weight may differ due to extra packing materials for product protection.

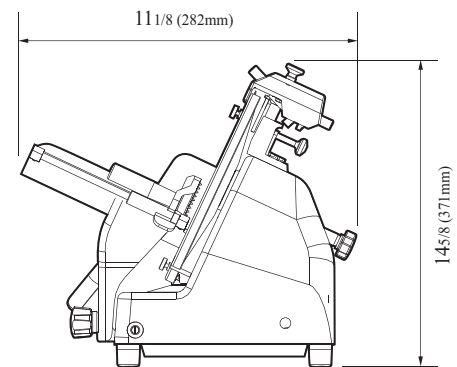
■ **WARRANTY : 1 Year Parts and Labor Warranty**

PLAN VIEW

(unit : inch)



FRONT VIEW



SIDE VIEW

Ver.201210



■ Turbo Air : 800-627-0032 ■ GK : 800-500-3519
■ Warranty : 800-381-7770 ■ AC : 888-900-1002

REFRIGERATOR MANUFACTURER
Turbo air

**GERMAN
KNIFE**

RADIANCE

GREEN WORLD

AIR CONDITIONER MANUFACTURER
Turbo air