

REFRIGERATOR MANUFACTURER
Turbo air
 more durable, convenient, beautiful

1250 Victoria St
 Carson, CA 90746
 Tel. 310-900-1000
 Fax. 310-900-1077
www.turboairinc.com

Project :	
Model # :	
Item # :	Qty :
Available W/H :	
Approval :	

Buffet Display Table - Islands *Buffet Display Tables
J Series*

Model : JBT-72



FEATURES / BENEFITS

- HOT GAS CONDENSATE SYSTEM**
 Through Turbo Air's creative innovation, the condensate system surfaces have been specially treated to resist corrosion. This not only increases efficiency without the risk of refrigerant leakage from corrosion, but also prevents the overflow of condensate water.
- SIDE MOUNT COMPRESSOR UNIT**
 Through positioning the compressor to the side, the refrigerator can be serviced without being moved. By innovatively creating a front breathing feature, this model can provide high efficiency in narrow spaces.
- EFFICIENT REFRIGERATION SYSTEM**
 Turbo Air's solid door refrigerators are designed with oversized and balanced (CFC Free R-134A) refrigeration systems. These include efficient evaporators and condensers for faster cooling and greater efficiency.
- EXTERIOR & INTERIOR OF THE CABINET**
 The Turbo Air J series boasts a stainless steel exterior (galvanized steel back and bottom). Interior is stainless steel floor with AL sides, back and AL door liners. It guarantees the utmost in cleanliness and long product life. It can add a touch of style to the most refined setting.
- HIGH-DENSITY POLYURETHANE INSULATION**
 The entire cabinet structure and solid doors are foamed-in-place using high density, CFC free polyurethane insulation.
- MAGNETIC DOOR GASKETS**
 Magnetic door gaskets are of one piece construction, removable without tools for ease of cleaning and replacement.
- SNEEZE GUARD SOLD SEPARATELY (OPTIONAL)**
- ADJUSTABLE, HEAVY DUTY, PE(POLYETHYLENE) COATED WIRE SHELVES**
- ERGONOMICALLY DESIGNED DOORS**
 Customers' fatigue fades away with easy grip handles and doors that open effortlessly. These features along with self-closing doors make this the ultimate choice in customer convenience.
- REFRIGERATOR HOLDS 33°F ~ 39°F FOR THE BEST IN FOOD PRESERVATION**



Model	Swing Door	CU./FT.	#of Shelves	#of Pans (1/3)	HP	AMPS	Crated Weight (lbs.)	L x D x H* (inches)
JBT-72	3	18	3	15	1/3	9.9	279	70 7/8 x 27 1/2 x 28 3/4

Model : JBT-72

ELECTRICAL DATA	
Voltage	115/60/1
Plug Type	Ⓜ NEMA-5-15P
Full Load Amperes	9.9
Compressor HP	1/3
Cord Length ft.	9.2
Refrigerant	R-134A
DIMENSIONAL DATA	
Ext. Length Overall in.	70 ⁷ / ₈ (1782mm)
Ext. Depth Overall in.	27 ¹ / ₂ (698mm)
Ext. Height Overall in.*	28 ³ / ₄ (730mm)
# of Doors	3
# of Shelves	3
# of Pans	15
Net Capacity cu. ft.	18
Gross Weight lbs.	279
Net Weight lbs.	234

Design and specifications subject to change without notice.
Actual shipping weight may differ due to extra packing materials for product protection.
*Height does not include 5-7/8" for caster height.

■ **WARRANTY : 2 Year Parts and Labor Warranty
Additional 3 Year Warranty on Compressor**

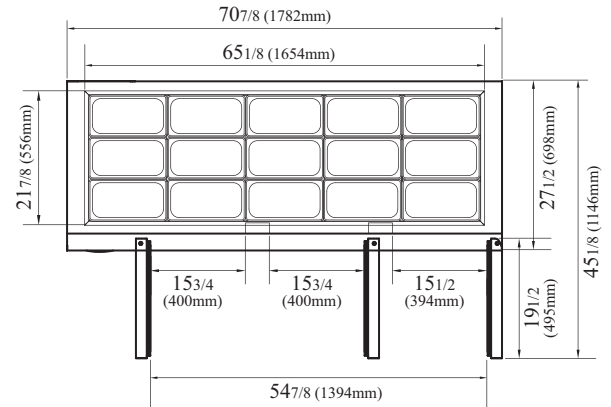
- SELF-CONTAINED SYSTEM
- 4" DIA. CASTERS ARE STANDARD
- 1 / 3 SIZE CONDIMENT PANS INCLUDED
- 2.5" DIA. CASTERS AVAILABLE (OPTIONAL)
- LEGS AVAILABLE FOR ALL MODELS (OPTIONAL)
- SNEEZE GUARD AVAILABLE (OPTIONAL)

■ **OPTIONAL ACCESSORIES :**

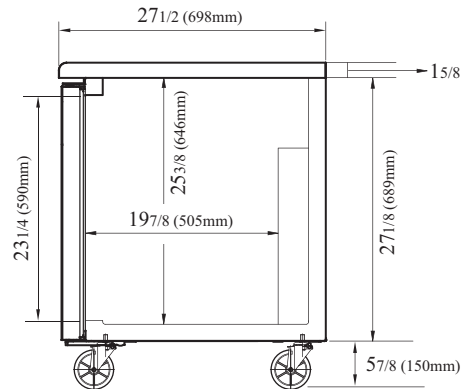
- 2 1/2" Diameter casters
- 6" Standard legs
- Additional PE coated wire shelves
- 36" Sneeze guard (SNZ-36)

PLAN VIEW

(unit : inch)



PLAN VIEW



SIDE VIEW

Ver.201301



- Turbo Air : 800-627-0032
- GK : 800-500-3519
- Warranty : 800-381-7770
- AC : 888-900-1002