



1250 Victoria St, Carson, CA 90746
 Tel. 310-900-1000 Fax. 310-900-1077
 www.turboairinc.com

Project :

Model # :

Item # :

Qty :

Available W/H :

Approval :

Thermostat Control High Efficiency Counter Top Griddles

Model : TATG-



TATG-24

≡ FEATURES / BENEFITS ≡

- STAINLESS STEEL FRONT, SIDE AND 4" FRONT TOP LEDGE.
- 4" BACKSPLASH WITH TAPERED SIDE SPLASHES.
- 3" WIDE STAINLESS STEEL FRONT GREASE TROUGH.
- ONE THERMOSTAT CONTROL FOR EACH BURNER.
- ONE 22,000 BTU/HR U SHAPED ALUMINIZED BURNER FOR EVERY 12" OF GRIDDLE WIDTH.
- ERGONOMICALLY DESIGNED HEAT RESISTANT PPS ON-OFF KNOB.
- 1" POLISHED STEEL GRIDDLE PLATE.
- ADJUSTABLE STAINLESS STEEL STANDING PILOT FOR EACH BURNER.
- HIGH EFFICIENCY GRIDDLE WILL PROVIDE FASTER COOKING AND RECOVERY BUT AMAZINGLY USE
- APP. 25% LESS GAS THAN TYPICAL GRIDDLE.
- 3/4" REAR GAS CONNECTION AND GAS PRESSURE REGULATOR.
- 2" STAINLESS STEEL LEGS INCLUDED.
- AVAILABLE IN 12", 24", 36" AND 48" WIDE.
- A FULL ONE YEAR LIMITED PARTS AND LABOR WARRANTY.



Model	Control	#of Burners	Total BTUs	Crated Weight (lbs.)	W x D x H*(inches)	Plate Depth
TATG-24	Thermostat	2	44,000	246	24 x 30 1/2 x 12 1/2	22
TATG-36	Thermostat	3	66,000	343	36 x 30 1/2 x 12 1/2	22
TATG-48	Thermostat	4	88,000	442	48 x 30 1/2 x 12 1/2	22

Thermostat Control High Efficiency Counter Top Griddles

Model : TATG-

GAS DATA	
Gas Type	NAT/LP Convertible
Gas Connection	3/4"
Regulator	3/4"
SHIPPING DATA	
Class	85
Width (in.)	28 / 40 / 52
Depth (in.)	32
Height (in.)	19
Shipping Weight (lbs.)	246 / 343 / 442

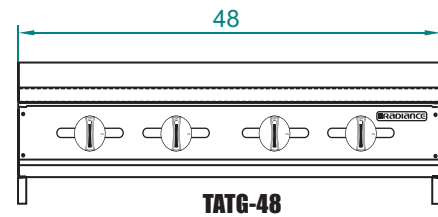
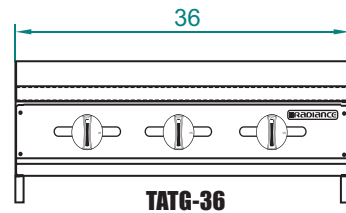
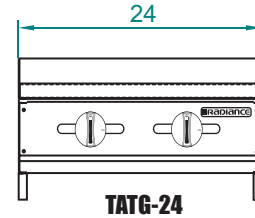
Design and specifications subject to change without notice.
Actual shipping weight may differ due to extra packing materials for product protection.

■ **WARRANTY : 1 Year Labor and Parts Warranty**

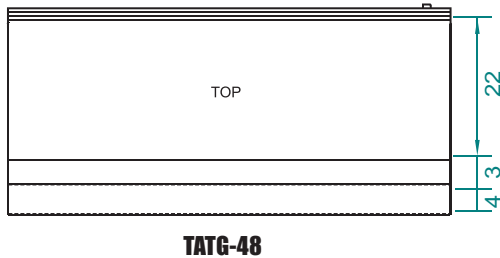
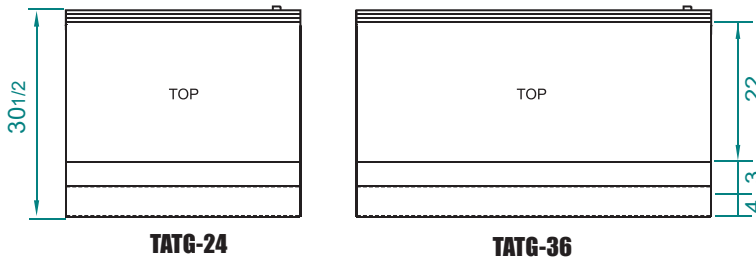
Ver.201203

PLAN VIEW

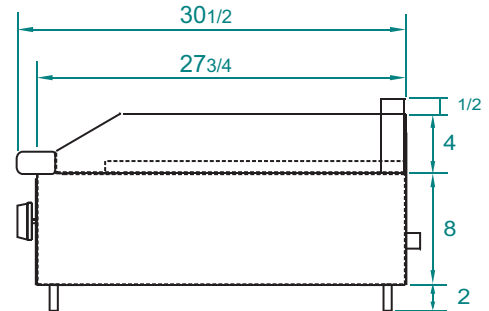
(unit : inch)



FRONT VIEW



TOP VIEW



■ Turbo Air : 800-627-0032 ■ GK : 800-500-3519
■ Warranty : 800-381-7770 ■ AC : 888-900-1002