

**REFRIGERATOR MANUFACTURER**  
**Turbo air**  
 more durable, convenient, beautiful

1250 Victoria St  
 Carson, CA 90746  
 Tel. 310-900-1000  
 Fax. 310-900-1077  
 www.turboairinc.com

Project :	
Model # :	
Item # :	Qty :
Available W/H :	
Approval :	

# BUS CART

*Stainless Steel Equipment*

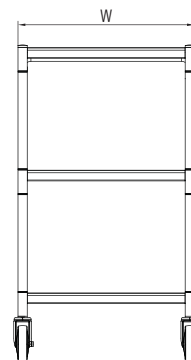
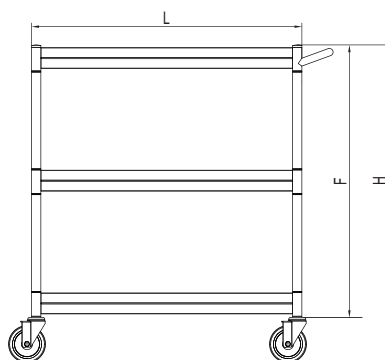
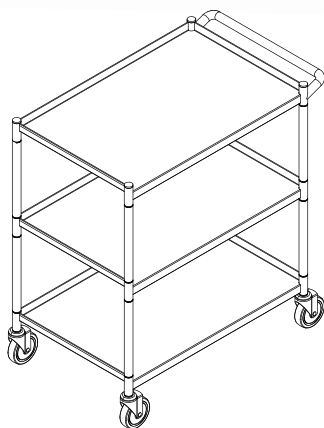
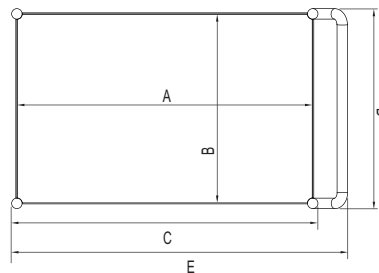
**HIGH QUALITY 304 STAINLESS STEEL BODY**

**Model : TBUS-**



### ≡ FEATURES & BENEFITS ≡

- ALL 304 STAINLESS STEEL INCLUDING HANDLE
- 1 1/2" LEADGE ON EVERY SIDE OF SHELF
- ENTIRE CART IS PACKED IN ONE BOX
- 4" RUBBER CASTERS
- ECONOMIC MODELS AVAILABLE (430 S/S)



(unit : inch)

Model *	Overall Size			Dimension						Net Weight † (lbs.)
	L	W	H	A	B	C	D	E	F	
TBUS-1524	24	15	34 3/8	24	15	25	16	28 1/2	29	25
TBUS-1524E	24	15	34 3/8	24	15	25	16	28 1/2	29	25
TBUS-1828	28	18	34 3/8	28	18	28 7/8	18 7/8	32 1/2	29	30
TBUS-1828E	28	18	34 3/8	28	18	28 7/8	18 7/8	32 1/2	29	30
TBUS-2133	33	17 3/4	34 3/8	33	21	33 7/8	18 7/8	37 1/2	29	40
TBUS-2133	33	17 3/4	34 3/8	33	21	33 7/8	18 7/8	37 1/2	29	40

Information and specifications are subject to change without notice.

\* All units shipped knocked-down.

† All weights are approximated. Crafting fee will be added for shipping via common carriers (Please confirm at the time of the purchase).