

TURBO AIR REFRIGERATOR MANUFACTURER
Turbo air
 more durable, convenient, beautiful

1250 Victoria St
 Carson, CA 90746
 Tel. 310-900-1000
 Fax. 310-900-1077
www.turboairinc.com

| | |
|-----------------|-------|
| Project : | |
| Model # : | |
| Item # : | Qty : |
| Available W/H : | |
| Approval : | |

Ice Cream Freezer Ice Cream Freezers
Horizontal Freezers

Model : TGF-9F



FEATURES / BENEFITS

- **ENVIRONMENTALLY FRIENDLY, EFFICIENT REFRIGERATION SYSTEM**
 Turbo Air's freezers are designed with oversized and balanced environmentally friendly R-404A (CFC Free) refrigeration system. These include large evaporators and condensers for faster freezing and greater efficiency throughout the cabinet.
- **TEMPERED, ENERGY SAVING LOW EMISSIVITY GLASS SLIDING TOP**
 Reduced outer heat gain and lowers energy consumption. It enhances energy efficiency and minimizes condensation.
- **ADVERTISING PANEL AND ATTRACTIVE GLASS LIDS**
 Optimize eye-catching display and impulse sales. Economical size and design for convenient access and fast service in high traffic area.
- **HIGH-DENSITY POLYURETHANE INSULATION**
 The entire cabinet structure is foamed-in-place using high density, CFC free polyurethane insulation.
- **EASY TEMPERATURE CONTROL MODE IS ENERGY EFFICIENT**
 There is no need to reach inside the freezer to control the temperature. External temperature control knob allows easy adjustment and keeps cold air inside saving energy.
- **FREEZER HOLDS -9°F ~ 11°F FOR THE BEST IN FROZEN FOOD PRESERVATION**
- **MANUAL DEFROST SYSTEM**
- **HEAVY DUTY WHITE PE (POLYETHYLENE) COATED DIVIDERS COME STANDARD**
- **WHITE, ANTI-RUST COATING ON THE EXTERIOR REDUCES FINGERPRINTS**



| Model | Sliding Door | CU./FT. | Baskets | HP | AMPS | Crated Weight (lbs.) | L x D x H* (inches) |
|---------------|--------------|------------|----------|------------|------------|----------------------|---------------------------------|
| TGF-9F | 1 | 8.5 | - | 1/4 | 4.4 | 195 | 44 1/4 x 27 3/8 x 35 3/8 |

Model : TGF-9F

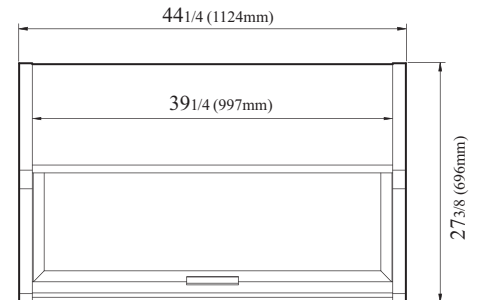
| ELECTRICAL DATA | |
|--------------------------|-----------------|
| Voltage | 115/60/1 |
| Plug Type | ⓘ NEMA-5-15P |
| Full Load Amperes | 4.4 |
| Compressor HP | 1/4 |
| Cord Length ft. | 8 |
| Refrigerant | R-404A |
| DIMENSIONAL DATA | |
| # of Doors | 1 |
| Net Capacity cu. ft. | 8.5 |
| Ext. Length Overall in. | 44 1/4 (1124mm) |
| Ext. Depth Overall in. | 27 3/8 (696mm) |
| Ext. Height Overall in.* | 35 3/8 (899mm) |
| Int. Length Overall in. | 39 1/4 (997mm) |
| Int. Depth Overall in. | 21 3/4 (552mm) |
| Int. Height Overall in. | 16 5/8 (423mm) |
| Gross Weight lbs. | 195 |
| Net Weight lbs. | 185 |
| # of Baskets | - |
| Net Capacity Gal. | 63.6 |

Design and specifications subject to change without notice.
Actual shipping weight may differ due to extra packing materials for product protection.
* Height does not include 4" for caster height.

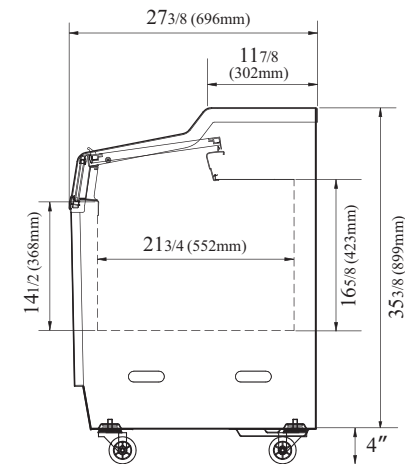
- **WARRANTY : 1 Year Parts and Labor Warranty**
Additional 4 Year Warranty on Compressor
- **NO PLUMBING REQUIRES**
- **SELF-CONTAINED SYSTEM**
- **2.5" DIA. CASTERS STANDARD (TGF MODELS)**

PLAN VIEW

(unit : inch)



PLAN VIEW



SIDE VIEW

Ver.201203



- Turbo Air : 800-627-0032 ■ GK : 800-500-3519
- Warranty : 800-381-7770 ■ AC : 888-900-1002