



1250 Victoria St, Carson, CA 90746
 Tel. 310-900-1000 Fax. 310-900-1077
 www.turboairinc.com

Project :

Model # :

Item # :

Qty :

Available W/H :

Approval :

Microwave Ovens - Medium Duty

**Model : TMW-1100M
 TMW-1100E**



TMW-1100M



TMW-1100E

≡ FEATURES / BENEFITS ≡

COMMON FEATURES

- COMMERCIAL DURABILITY (1000W.) & EURO STYLING
- SAFETY INTERLOCK SYSTEM
- EASY-TO-CLEAN FLAT BOTTOM
- MULTI POWER SETTING FOR COOKING VERSATILITY
- STAINLESS STEEL INTERIOR & EXTERIOR FOR EASY CLEANING & DURABILITY
- EASY GRIP AND RECESSED DOOR HANDLE
- TEMPERED GLASS DOOR WITH INTERIOR LIGHT ALLOWS MONITORING THE FOOD INSIDE
- 5 POWER SETTING FOR A DESIGNED POWER LEVEL (MANUAL TYPE ONLY)
- TIME DEFROST (MANUAL TYPE ONLY)

DIGITAL TYPE FEATURES

- 17 TOUCH CONTROL PADS & EASY-TO-READ VFD DISPLAY
- MULTI POWER SETTING FOR COOKING VERSATILITY
- UP TO 60 MINUTES OF COOKING TIME
- PROGRAM UP TO 20 MENU ITEMS FOR SIMPLE ONE-TOUCH COOKING
- TIME & WEIGHT DEFROST
- CHILD SAFETY LOCK
- POWER SAVE MODE
- VARIABLE BEEP TONES (MUTE MODE AVAILABLE)
- EASY COOK FUNCTION: THE MOST SIMPLIFIED ONE-TOUCH COOK FROM 30 SEC. TO 5 MIN.
- COOKING COMPLETE ALARM
- CHECK FUNCTION TO CHECK COOKING DATA
- PROGRAM LIST REVIEW: ALLOWS USERS TO REVIEW ALL CURRENT PROGRAMS
- DOUBLE QUANTITY PAD (X2) EXTEND PRE-PROGRAMMED COOKING TIME TWICE FOR TEMPORARILY

Model	Net Weight (lbs.)	W x D x H (inches)
TMW-1100M	36.3	22 x 19 x 13 1/2
TMW-1100E	36.3	22 x 19 x 13 1/2

Microwave Ovens - Medium Duty

Model : TMW-1100M / TMW-1100E

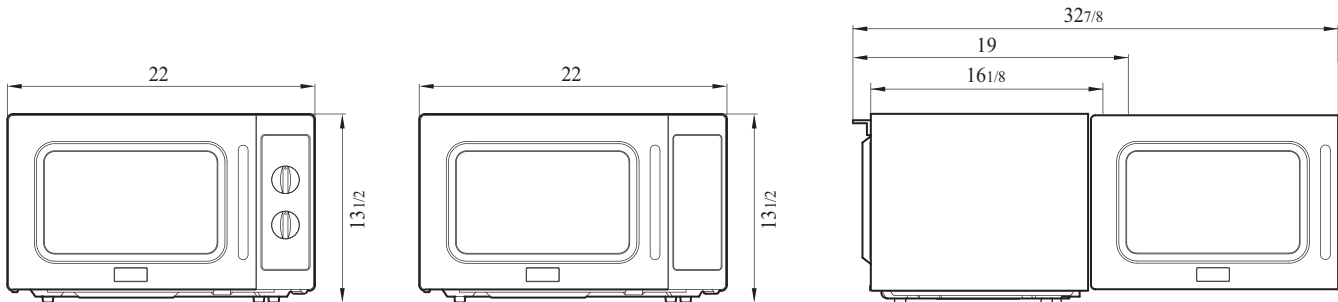
Model		TMW-1100M	TMW-1100E
Cavity Volume		1.2 cu.ft.	1.2 cu.ft.
Power Output		1,000W	1,000W
Dimensions(L x D x H)	Cavity	14 ¹ / ₂ x 15 ³ / ₄ x 8 ³ / ₄	14 ¹ / ₂ x 15 ³ / ₄ x 8 ³ / ₄
	Unit	22 x 19 x 13 ¹ / ₂	22 x 19 x 13 ¹ / ₂
	Carton	24 ⁵ / ₈ x 19 ³ / ₄ x 14 ⁵ / ₈	24 ⁵ / ₈ x 19 ³ / ₄ x 14 ⁵ / ₈
Net Weight		36.3 lbs.	36.3 lbs.
Stuffing Q'ty		240 sets/20ft.	240 sets/20ft.
		492 sets/40ft.	492 sets/40ft.

Design and specifications subject to change without notice.
Actual shipping weight may differ due to extra packing materials for product protection.

Ver.201210

PLAN VIEW

(unit : inch)



FRONT VIEW

SIDE VIEW

- Turbo Air : 800-627-0032
- GK : 800-500-3519
- Warranty : 800-381-7770
- AC : 888-900-1002