

# EQUIPMENT STANDS

## ≡ FEATURES & BENEFITS ≡



**EQUIPMENT STAND**

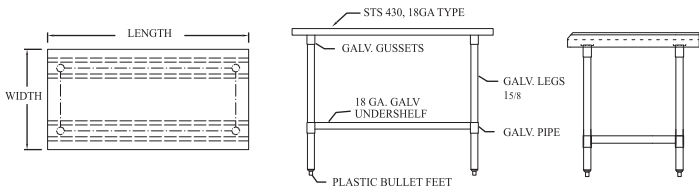
- EASY TO ASSEMBLE
- ALL EDGES ARE FINISHED TO PROVIDE SAFETY
- H/L FINISHED STAINLESS STEEL TOP
- TOP REINFORCED WITH WELDED “HAT” CHANNEL FRAME
- SOUND-DEADENING TAPE BETWEEN CHANNEL FRAME AND TOP
- GUSSETS ARE RECESSED INTO CHANNEL FRAME TO PREVENT LATERAL MOVEMENT
- GALVANIZED LEGS, UNDER SHELF AND GUSSETS ARE STANDARD ON ALL MODELS
- ADJUSTABLE ABS BULLET FEET

(Unit : inch)

Model *	Ga.	W	L	H	Net Weight †
TSE-2812	18	28	12	24	25
TSE-2818	18	28	18	24	31
TSE-2824	18	28	24	24	36
TSE-2836	16	28	36	24	47
TSE-2848	16	28	48	24	58
TSE-2860	16	28	60	24	69
TSE-2872	16	28	72	24	86

Information and specifications are subject to change without notice.  
 † All units shipped knocked-down.

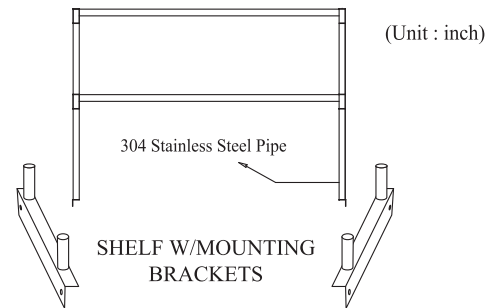
† All net weights are approximated. Crafting fee will be added for shipping via common carriers (Please confirm at the time of the purchase).



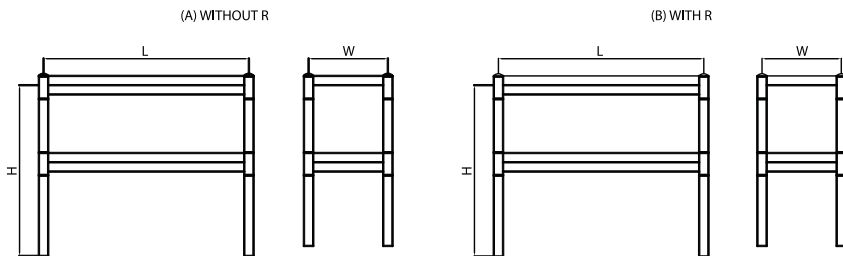
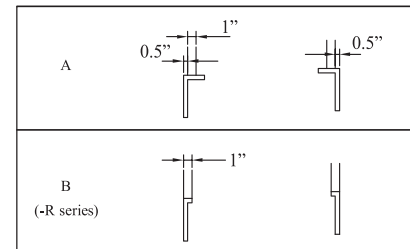
# OVER SHELVES



**OVER SHELF**



Bracket

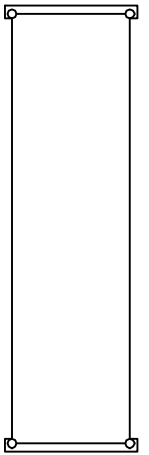
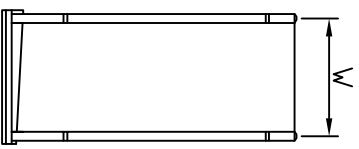
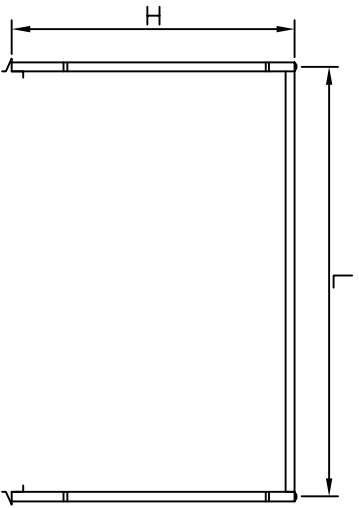


Model *	Ga.	W	L	H	Net Weight †
TSOS-3	18	12 <sup>3</sup> / <sub>4</sub>	36	23 <sup>1</sup> / <sub>2</sub>	25
TSOS-3R	18	12 <sup>3</sup> / <sub>4</sub>	37	23 <sup>1</sup> / <sub>2</sub>	26
TSOS-4	18	12 <sup>3</sup> / <sub>4</sub>	48	23 <sup>1</sup> / <sub>2</sub>	28
TSOS-4R	18	12 <sup>3</sup> / <sub>4</sub>	49	23 <sup>1</sup> / <sub>2</sub>	28
TSOS-5	18	12 <sup>3</sup> / <sub>4</sub>	60	23 <sup>1</sup> / <sub>2</sub>	31

Model *	Ga.	W	L	H	Net Weight †
TSOS-5R	18	12 <sup>3</sup> / <sub>4</sub>	61	23 <sup>1</sup> / <sub>2</sub>	31
TSOS-6	18	12 <sup>3</sup> / <sub>4</sub>	72	23 <sup>1</sup> / <sub>2</sub>	35
TSOS-6R	18	12 <sup>3</sup> / <sub>4</sub>	73	23 <sup>1</sup> / <sub>2</sub>	35
TSOS-P4	18	11 <sup>3</sup> / <sub>4</sub>	45 <sup>1</sup> / <sub>4</sub>	30 <sup>1</sup> / <sub>2</sub>	15
TSOS-P6	18	11 <sup>3</sup> / <sub>4</sub>	68 <sup>1</sup> / <sub>4</sub>	30 <sup>1</sup> / <sub>2</sub>	20

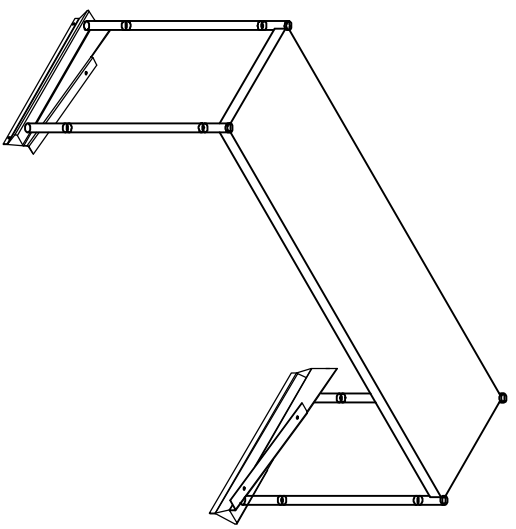
Information and specifications are subject to change without notice.  
 † All units shipped knocked-down.

† All net weights are approximated. Crafting fee will be added for shipping via common carriers (Please confirm at the time of the purchase).



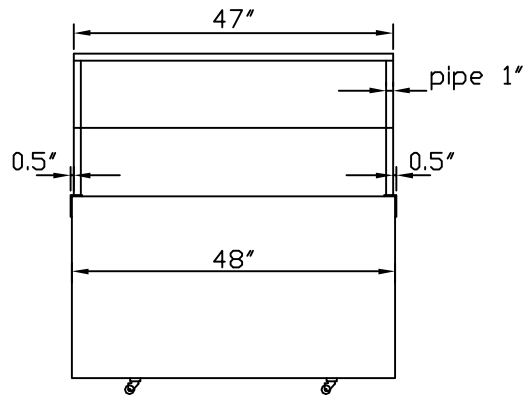
UNIT: mm

MODEL	W	L	H
TSOS-P4	298	1148	774
TSOS-P6	298	1732	774

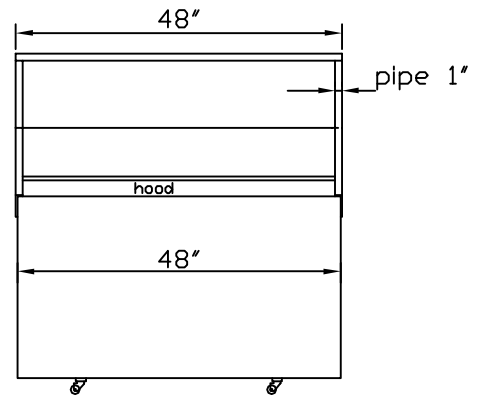


1, Length

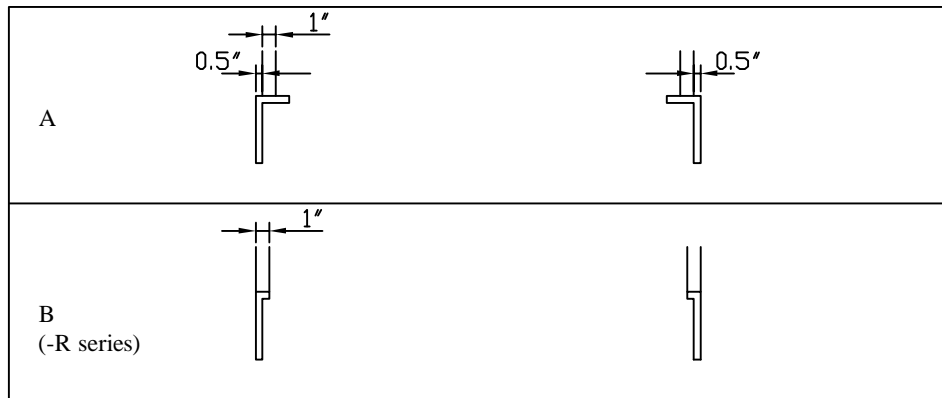
A: TSOS-4



B: TSOS-4R



2, Bracket



Model	Width	Length	Height	Weight
TSDS-3	12.8	36	23.5	25
TSDS-4	12.8	48	23.5	28
TSDS-4R	12.8	48.2	23.5	28
TSDS-5	12.8	60	23.5	31
TSDS-6	12.8	72	23.5	35
TSDS-6R	12.8	72.6	23.5	35

