

Project _____

Item Number _____

Quantity _____

DBP



Automatic Dough / Butter Press

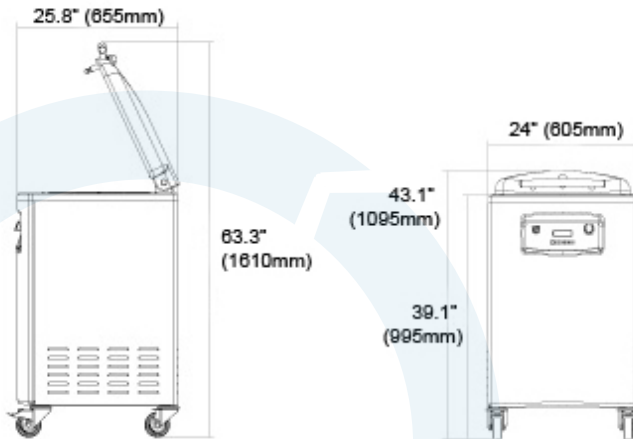
DBP

Features:

- Automatically presses dough or butter
- Strong hydraulic machine
- Simple controls: simply close the lid and the machine runs its cycle and automatically opens.
- Programmable control board
- Multiple Languages



Dough / Butter Press



Shape Detail



Univex Corporation

Shipping Information:

LENGTH	DEPTH	HEIGHT	WEIGHT
29.5" (750mm)	57" (1450mm)	29.5" (750mm)	507lbs (230kg)

Electrical:

220V/60Hz/3Ph

Warranty:

- One year, on-site parts and labor

Warranty Details

The DBPs carry a one year, on-site parts and labor warranty against any flaws in materials and workmanship. This period begins on the date of the purchase and, provided the unit is used in accordance with our instructions, is in full effect for one year from that date. Any work performed under this warranty must be performed between the hours of 8am and 5pm Monday through Friday. Univex will not pay for overtime charges for work performed other than during normal business hours. Damage incurred in transit or from installation error, accident, alteration or misuse is not covered. Univex shall not be liable for any consequential compensatory, incidental, or special damages. Contact the Univex service department for any warranty claims.