

Project	Item Number	Quantity
---------	-------------	----------

Square Dome Oven



*image shown has aftermarket brick work

Stone Hearth Pizza Dome Oven (GAS)

Models:

- DOME39S:** Square dome pizza oven
- DOME47S:** Square dome pizza oven
- DOME55S:** Square dome pizza oven

Pizza Oven

Features:

- Hand cut and laid refractory brick
- Round internal cooking chamber
- Very well insulated
- Simple to use controls and very low maintenance
- Long life span with low cost of ownership

Included Accessories:

- Iron stand
- Iron door
- Thermometer
- Stack exhaust internal diameter 20cm(7.87in)

Univex Corporation

Options:

- Black or Silver painted body

Warranty:

- One year, on-site parts and labor



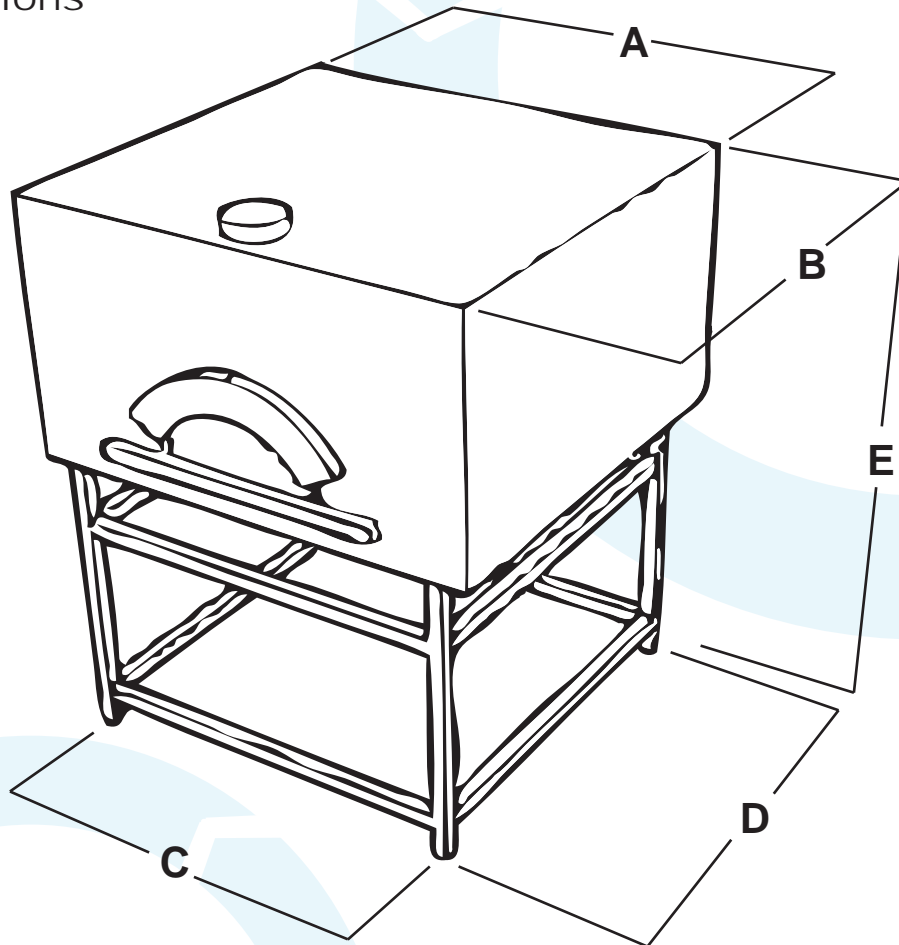
Warranty Details

The oven carries a one year, on-site parts and labor warranty against any flaws in materials and workmanship. This period begins on the date of the purchase and, provided the unit is used in accordance with our instructions, is in full effect for one year from that date. Any work performed under this warranty must be performed between the hours of 8am and 5pm Monday through Friday. Univex will not pay for overtime charges for work performed other than during normal business hours. Damage incurred in transit or from installation error, accident, alteration or misuse is not covered. Univex shall not be liable for any consequential compensatory, incidental, or special damages. Contact the Univex service department for any warranty claims.

Stone Hearth Pizza Dome Oven

Gas

Dimensions



MODEL	INTERNAL DIAMETER	A OVEN WIDTH	B OVEN DEPTH	C STAND WIDTH	D STAND DEPTH	E HEIGHT	WEIGHT	NUMBER OF PIZZAS
DOME39S	39.37" 100cm	55.11" 140cm	57.1" 145cm	47.25" 120cm	47.25" 120cm	73" 185cm	2645.5lbs 1200Kg	5
DOME47S	47.25" 120cm	63" 160cm	65" 165cm	55.11" 140cm	55.11" 1140cm	73" 185cm	4850lbs 2200Kg	7
DOME55S	55" 140cm	71" 180cm	73" 185cm	63" 160cm	63" 160cm	73" 185cm	5512lbs 2500Kg	11