

Project _____

Item Number _____

Quantity _____

MG32



Meat Grinder

Models:

MG32

Standard Accessories:

- AISI 304 Stainless steel construction
- Stainless steel self- sharpening knife and plate system
- Product pusher
- Worm and plate removing tool

Optional Features:

- Stainless steel splash guard
- Wide selection of plates
- Extra large pan

Meat Grinder

Features:

- Powerful 4 HP three phase motor
- Oil- bath, water protected gear box
- Designed for high performance
- Machine works perfectly even if product is processed two or more times
- Tempered steel worm pin
- Grinding set is quickly disassembled for faster cleaning and sanitation
- Square feeding "neck" allows for faster processing cycles
- Large feeding hopper with safety microswitch

Univex Corporation

Warranty:

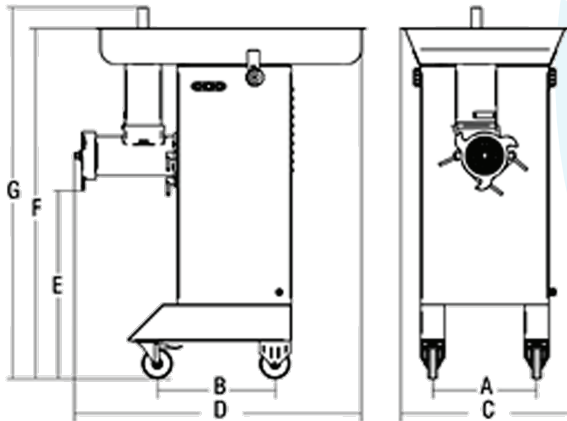
- One year, on site parts and labor warranty



Warranty Details

The MG32 carries a one year, on site parts and labor warranty against any flaws in materials and workmanship. This period begins on the date of the purchase and, provided the unit is used in accordance with our instructions, is in full effect for one year from that date. Any work performed under this warranty must be performed between the hours of 8am and 5pm Monday through Friday. Univex will not pay for overtime charges for work performed other than during normal business hours. Damage incurred in transit or from installation error, accident, alteration or misuse is not covered. Univex shall not be liable for any consequential compensatory, incidental, or special damages. Contact the Univex service department for any warranty claims.

Meat Grinder



Meat Grinder Dimensions

A:	13.7"	E:	9"
B:	15.4"	F:	46"
C:	22.2"	G:	48.8"
D:	35.8"		

Shipping Information:

Freight Class:	85
Net Weight:	198 lbs
Shipping Weight:	223 lbs

Shipping Box Dimensions:

Height:	41 11/32"
Width:	37 13/32"
Depth:	77 11/64"

Electrical: 220V, 60Hz, 3Ph

Amps/ HP: 13 / 4

Average Output / HR: 1543 lbs/hr

Standard Plate: 6 mm

