

Project _____

Item Number _____

Quantity _____

MQD20



Manual Square Divider

MQD20 (2.8oz to 12.3oz)

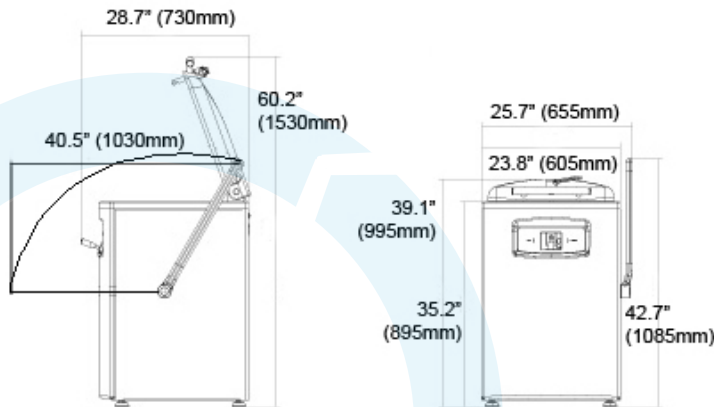
Features:

- Manually divides dough
- Produces 20 equal weight and shaped pieces at once
- Can produce 1000 pieces an hour
- Industrial strength machine
- Simple controls

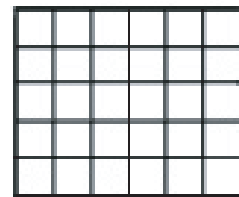
Production estimate is based off a 60 second start-to-finish process with prep time included



Square Divider



Shape Detail



Univex Corporation

Shipping Information:

LENGTH	DEPTH	HEIGHT	WEIGHT
29.5" (750mm)	57" (1450mm)	29.5" (750mm)	386lbs (175kg)

Warranty:

- One year, on-site parts and labor

Warranty Details

The MQDs carry a one year, on-site parts and labor warranty against any flaws in materials and workmanship. This period begins on the date of the purchase and, provided the unit is used in accordance with our instructions, is in full effect for one year from that date. Any work performed under this warranty must be performed between the hours of 8am and 5pm Monday through Friday. Univex will not pay for overtime charges for work performed other than during normal business hours. Damage incurred in transit or from installation error, accident, alteration or misuse is not covered. Univex shall not be liable for any consequential compensatory, incidental, or special damages. Contact the Univex service department for any warranty claims.