

Project	Item Number	Quantity
_____	_____	_____

Rotating Rack Oven



Rotating Single Rack Bakery Oven

Models:

- RSRE5 - Electric
- RSRG5 - Gas



Bakery Oven

Features:

- The Univex Rotating Rack Bakery Ovens combine the efficiency of a convection oven with the uniform results of a rotating rack
- Unique compact design provides for all the features of the oven within a small footprint
- Heat elements are in direct contact with the baking chamber making space and heat exchange optimized so that less energy is consumed

*Rack Sold Separately

Fits Tray Size:
18" x 26" (46mm x 66mm)

Number of trays:
15

Univex Corporation

Warranty: • One year, on-site parts and labor

Warranty Details

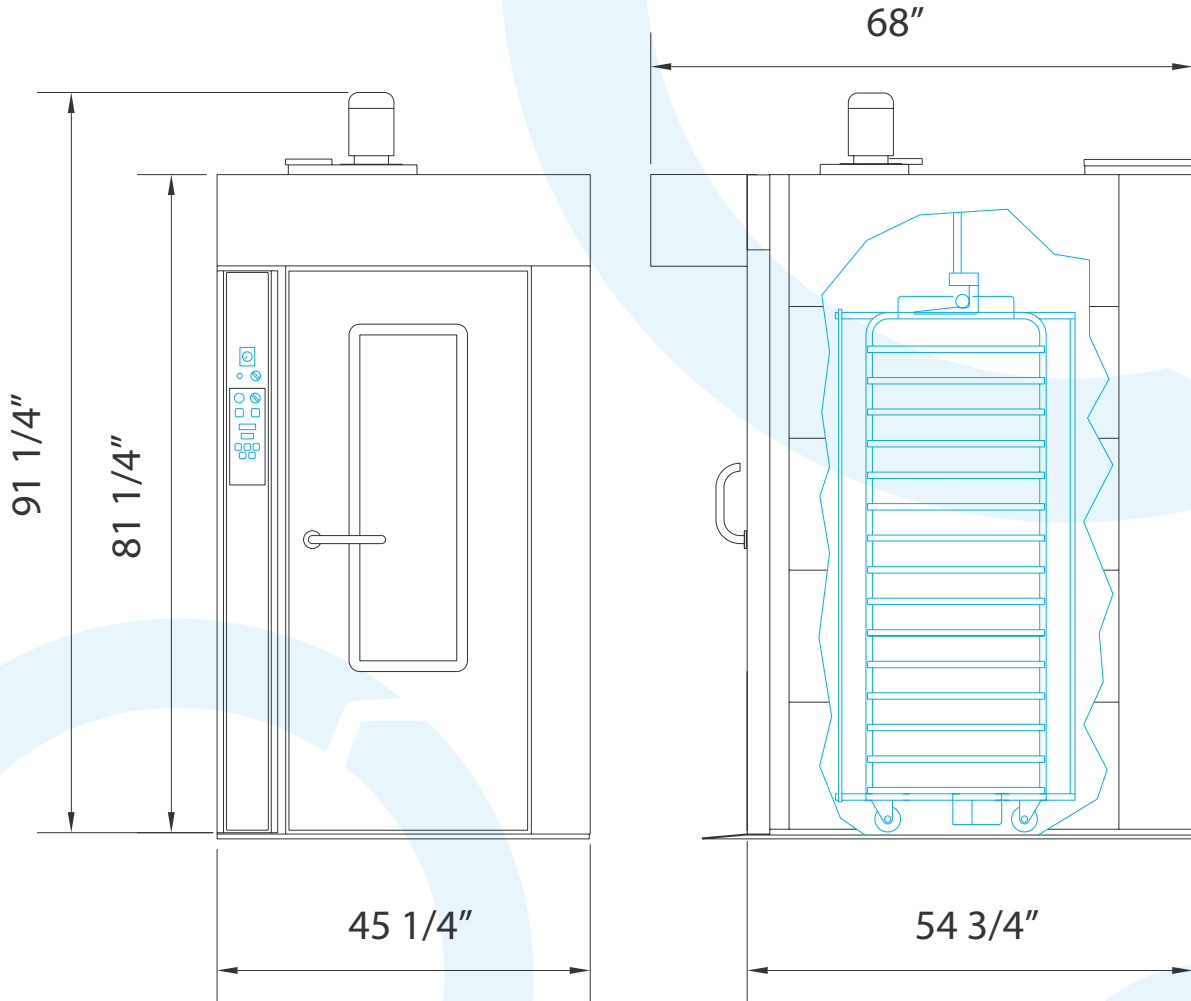
The oven carries a one year, on-site parts and labor warranty against any flaws in materials and workmanship. This period begins on the date of the purchase and, provided the unit is used in accordance with our instructions, is in full effect for one year from that date. Any work performed under this warranty must be performed between the hours of 8am and 5pm Monday through Friday. Univex will not pay for overtime charges for work performed other than during normal business hours. Damage incurred in transit or from installation error, accident, alteration or misuse is not covered. Univex shall not be liable for any consequential compensatory, incidental, or special damages. Contact the Univex service department for any warranty claims. Ovens with steam may require water filtration depending upon water quality of oven location. If scaling or damage is caused by too hard or too soft unfiltered water warranty may be voided.



Exacting Standards, Just Like yours, since 1948

Rotating Single Rack Oven

GAS / ELECTRIC



Electrical: 220V/60Hz/3Ph



Univex Corporation
www.Univexcorp.com

3 Old Rockingham Rd
Salem, NH 03079
United States of America

TEL: 800.258.6358
INTL TEL: 603.893.6191
FAX: 800.356.5614
INTL FAX: 603.893.1249