



Exacting Standards, Just Like yours, since 1948

Project

Item Number

Quantity

SBDR15



Semi-Automatic Bun Divider / Rounder

□ SBDR15 (3.5oz to 9.1oz)

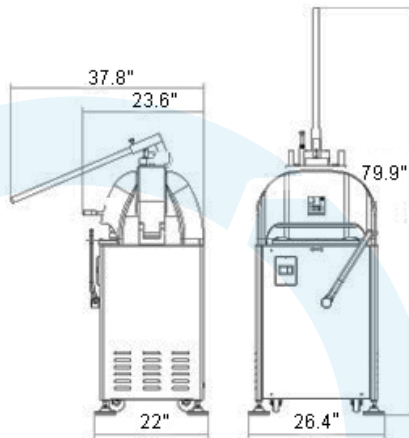
Features:

- Divides and rounds dough balls
- Produces 15 equal weighted and shaped pieces at once
- Can produce 1800 pieces an hour
- Industrial strength machine
- Simple to use leveling feet
- Simple controls
- Multiple languages
- Programmable control board

Production estimate is based off a 30 second start-to-finish process with prep time included



Bun Divider / Rounder



Standard Accessories:

- Three clear 15 division trays



Univex Corporation

Shipping Information:

| LENGTH | DEPTH | HEIGHT | WEIGHT |
|------------------|-----------------|------------------|-------------------|
| 29.5" (750mm) | 65" (1650mm) | 29.5" (750mm) | 436lbs (198kg) |

Electrical:

220V/60Hz/3Ph

Warranty:

- One year, on-site parts and labor

Warranty Details

The SBDRs carry a one year, on-site parts and labor warranty against any flaws in materials and workmanship. This period begins on the date of the purchase and, provided the unit is used in accordance with our instructions, is in full effect for one year from the date. Any work performed under this warranty must be performed between the hours of 8am and 5pm Monday through Friday. Univex will not pay for overtime charges for work performed other than during normal business hours. Damage incurred in transit or from installation error, accident, alteration or misuse is not covered. Univex shall not be liable for any consequential compensatory, incidental, or special damages. Contact the Univex service department for any warranty claims.



Univex Corporation
www.Univexcorp.com

3 Old Rockingham Rd
Salem, NH 03079
United States of America

TEL: 800.258.6358
INTL TEL: 603.893.6191
FAX: 800.356.5614
INTL FAX: 603.893.1249