

Project _____

Item Number _____

Quantity _____

SBLA



Models:

- SBLA

Features:

- Adjustable height
- Simple reliable service
- Easy controls
- Built in safety guard

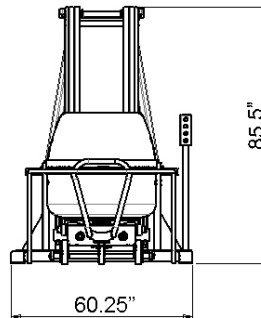
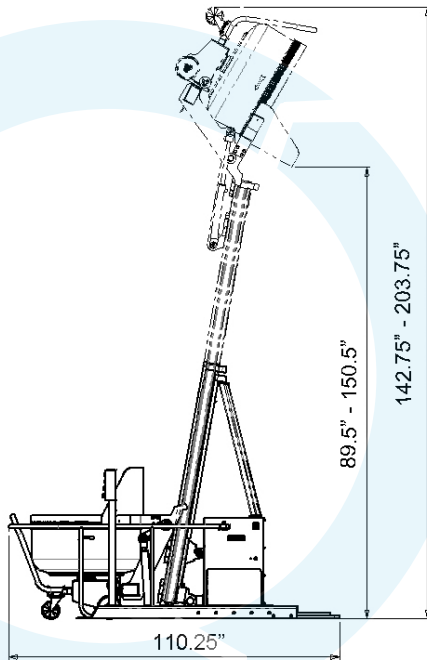
Bowl Lifters

System Information:

System Motor:	3 HP 400/50/3
Machine Weight:	2866 lbs
Capacity:	3306 lbs

- Note: please allow 6 inches beyond posted dimensions for complete clearance.

Univex Corporation



Warranty:

- One year, on-site parts and labor