

Project _____

Item Number _____

Quantity _____

SDBP



Semi-Automatic Dough / Butter Press

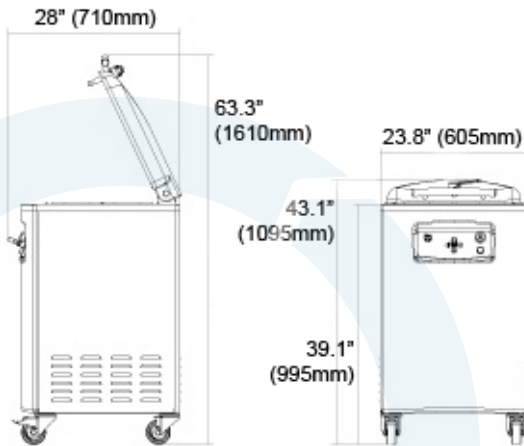
SDBP

Features:

- Semi-automatic press for dough or butter
- Various grid shapes available for different equal size of pressed product
- Industrial strength machine
- Simple controls



Dough / Butter Press



Shape Detail



Shipping Information:

LENGTH	DEPTH	HEIGHT	WEIGHT
29.5" (750mm)	57" (1450mm)	29.5" (750mm)	507lbs (230kg)

Electrical:

220V/60Hz/3Ph

Warranty:

- One year, on-site parts and labor

Univex Corporation

Warranty Details

The SDBPs carry a one year, on-site parts and labor warranty against any flaws in materials and workmanship. This period begins on the date of the purchase and, provided the unit is used in accordance with our instructions, is in full effect for one year from that date. Any work performed under this warranty must be performed between the hours of 8am and 5pm Monday through Friday. Univex will not pay for overtime charges for work performed other than during normal business hours. Damage incurred in transit or from installation error, accident, alteration or misuse is not covered. Univex shall not be liable for any consequential compensatory, incidental, or special damages. Contact the Univex service department for any warranty claims.