

Project _____

Item Number _____

Quantity _____

Pasta Machine



Pasta Machine

Models:

UPasta

UPasta

Features:

- Planetary spiral mixer for easy and fast dough mixing
- Bowl and spiral easily removable for cleaning and sanitizing
- Thick transparent plexiglass lid for viewing

Available pasta dies:

- 14 pasta die plates (One needed for machine to function)
 - Spaghetti
 - Bigoli / Pici Toscani
 - Linguine
 - Spaghetti quadri
 - Tagliolini
 - Tagliatelle
 - Pappardelle
 - Maccheroni rigati
 - Gramigne
 - Penne
 - Gnocchetti sardi
 - Caserecce Strozzapreti
 - Fusilli
 - Pasta sheet

Univex Corporation

Warranty:

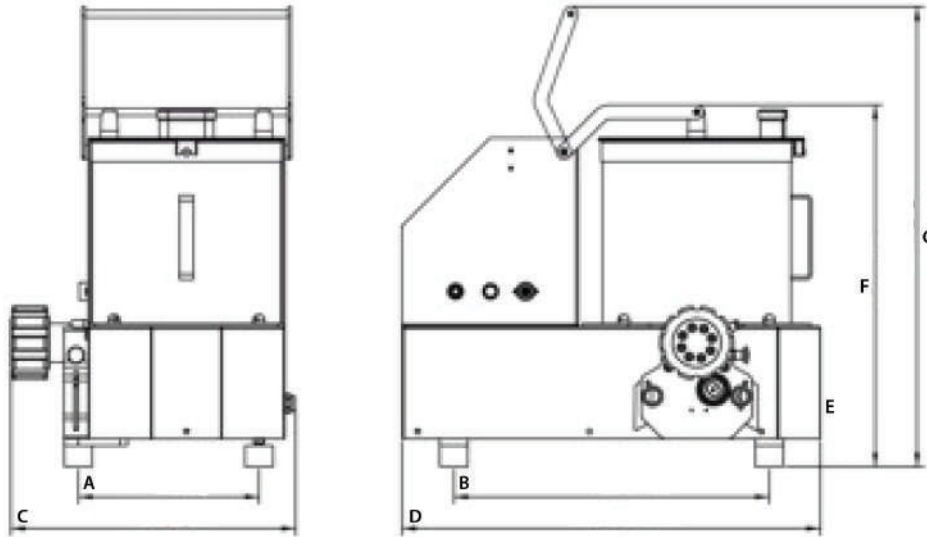
- One year, on site parts and labor warranty



Warranty Details

The Pasta Machine carries a one year, on site parts and labor warranty against any flaws in materials and workmanship. This period begins on the date of the purchase and, provided the unit is used in accordance with our instructions, is in full effect for one year from that date. Any work performed under this warranty must be performed between the hours of 8am and 5pm Monday through Friday. Univex will not pay for overtime charges for work performed other than during normal business hours. Damage incurred in transit or from installation error, accident, alteration or misuse is not covered. Univex shall not be liable for any consequential compensatory, incidental, or special damages. Contact the Univex service department for any warranty claims.

Pasta Machine



UPasta Dimensions:

A: 10.16"	D: 23.50"
B: 17.72"	F: 20.32"
C: 15.98"	G: 25.83"

Electrical: 120V, 60Hz, 1P
Amps: 11.3
Bowl Capacity: 21.1 quarts
Dough Capacity: 8.8 lbs

Shipping Information:

Freight Class:	85
Net Weight:	48.5 lbs
Shipping Weight:	81 lbs

Shipping Box Dimensions:

Length:	29.9"
Width:	25.2"
Height:	29.5"

