

VICTORY

110 Woodcrest Road, Cherry Hill, NJ 08003-3648
 856.428.4200 • 800.523.5008 • Fax: 856.428.7299
 www.victoryrefrigeration.com • email: sales@victoryrefrigeration.com



PROJECT: _____

LOCATION: _____

ITEM #: _____

QUANTITY: _____

ULTRASPEC™ SERIES

EXTRA HIGH ROLL-IN WARMING CABINETS



V-TEMP CONTROL™

STANDARD FEATURES

- V-TEMP™ Electronic Control System
- Adjustable Electronic Temp Control from 80°F to 180°F
- Built-in, Adjustable Humidity Control Vent
- Safety Shielded Strip Type Heating Elements
- Externally Mounted Blower Maintains Even Temperatures
- Stainless Steel Doorjamb(s)
- Foamed-in-Place Polyurethane Insulation
- Heavy Duty Cylinder Locks
- Self-Closing Doors with 120° Hold Open Feature
- Cam-Lift Hinges, Guaranteed for Life
- Ergonomically Correct Door Handles, Guaranteed for Life
- Adjustable Door Wiper Gasket(s)
- Stainless Steel Floor
- Proximity Door Switch Activates Interior Lighting
- One Piece, Snap-In Magnetic Door Gasket(s)
- Stainless Steel Interior Door Liner
- Removable Ramp(s)
- Accepts Mobile Storage Racks up to 27" W x 29" D x 72" H

OPTIONS AND ACCESSORIES

- Full Size Hinged Glass Doors
- Change Door Swing
- Correctional Facilities Options
- Stainless Steel Case Back and Shroud
- Stainless Steel Wire Shelves
- Shelf Pilaster Strips
- Exterior Laminate Décor
- Optional Voltages (single section only)
- Cord and Plug
- Two (2) Year Service Warranty



HIS-2D-1

MODELS

LONG-DOOR



Stainless Steel
Exterior and Interior

HIS-1D-1-XH
HIS-2D-1-XH



Stainless Steel Exterior and
Aluminum Interior

HISA-1D-1-XH
HISA-2D-1-XH



Stainless Steel Front and Doors,
Aluminum Ends and Interior

HIA-1D-1-XH
HIA-2D-1-XH

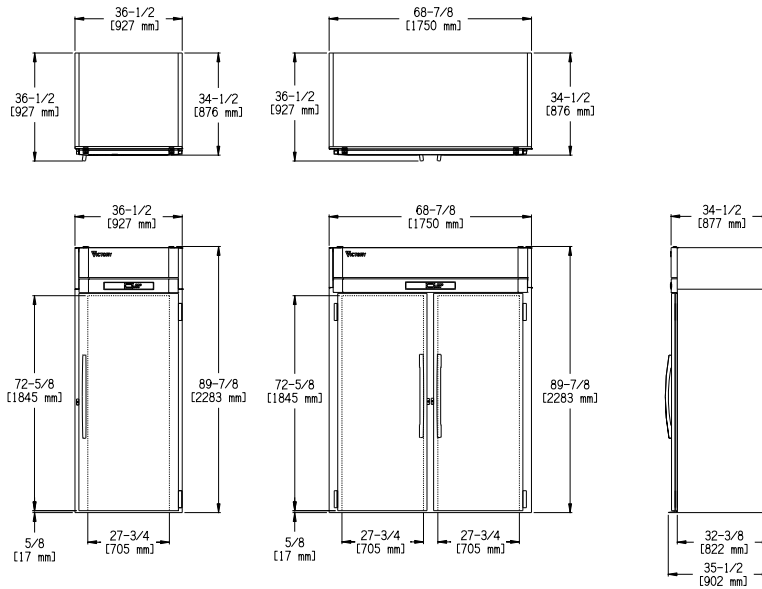


NOTE: Not all marks refer to all models

1 Year Parts and Labor Warranty • 2 Year V-TEMP™ Control Warranty

Victory Refrigeration specification sheets are available
online at www.victoryrefrigeration.com

APPROVALS:



We reserve the right to change specifications and product design without notice. Such revisions do not entitle the buyer to corresponding changes, improvements, additions or replacements for previously purchased equipment.

Dimensional tolerances +/- 1/4". Metric dimensions (MM)

CABINET CONSTRUCTION

The cabinet front and doors are constructed of heavy gauge, polished stainless steel to maintain an attractive appearance after years of heavy use. Polyurethane foam insulation throughout ensures the ultimate in energy efficiency.

DOOR CONSTRUCTION

The doors are heavy gauge, polished stainless steel with a stainless steel interior liner. Each door is provided with a cylinder lock and ergonomically correct vertical handle. The door hinges are self-closing and have a hold-open feature at 120° which facilitates product loading. Proximity switches energize the recessed interior incandescent lighting when the door is opened.

HEATING SYSTEM

The safety shielded, "strip type" heaters located at the bottom of the cabinet interior are precisely controlled by the V-TEMP™ electronic control with a temperature range from 80°F to 180°F. An externally mounted blower system ensures even temperatures throughout the cabinet interior. A built-in, adjustable humidity control vent allows the operator to maintain a moist or more dry environment.

INTERIOR STORAGE ARRANGEMENTS

Each door opening accepts a mobile storage rack measuring up to 27" W x 29" D x 72" H. Optional shelf pilasters and wire shelves are available.

V-TEMP™ CONTROL SYSTEM

The easy to use V-TEMP™ Control is provided standard with a two year parts and labor warranty. This durable, water resistant microprocessor monitors and controls the entire temperature maintenance process. It includes an ON/OFF switch located on the control face, interior light switch, LED temperature indicator in °C or °F, a HI/LO audio/visual temperature alarm, and a door ajar alarm. The control has a set point memory. Upon start up, the unit will warm up to the last temperature set point. A manager's "lock-out" feature is provided to safeguard pre-determined control settings.

CHARACTERISTICS

DIMENSIONAL DATA

	1 SECTION	2 SECTION
Capacity Net (cubic ft.)	34.6	70.3
Width, Overall (in.)	36 1/2	68 7/8
Depth, Overall (inc. handles)	36 1/2	36 1/2
Depth, Door(s) Open 90° (in.)	65 1/4	65 1/4
Clear Door Width (in.)	27 3/4	27 3/4
Clear Full-Door Height (in.)	72 5/8	72 5/8
Height Overall	89 7/8	89 7/8
No. Full Doors	1F	2F

ELECTRICAL DATA

	1 SECTION	2 SECTION
Cabinet Voltage	208-240/60/1	208-240/60/1
Heater Watts per Section (@240V)	1500	1500
Total Wattage (Heaters & Fan @ 240V)	1500	3000
Feed Wires	2	2
NEMA Plug	NO	NO
Total Amperes	6.3	13.0

NOTE: Plug style, voltage and full load amps may vary depending on options selected such as optional voltages.

CRATED DIMENSIONS & WTS.

	HT.	WIDTH	DEPTH	FT³	LBS
ONE SECTION	93 1/2	42	43	97.72	385
TWO SECTION	93 1/2	77	43	179.15	580