

VICTORY

3779 Champion Blvd – Winston-Salem, NC 27105
888.845.9800 • Fax: 800.253.5168

www.victoryrefrigeration.com • email: sales@victoryrefrigeration.com

PROJECT: _____
LOCATION: _____
ITEM #: _____
QUANTITY: _____

ULTRASPEC SERIES

STANDARD FEATURES

- Secure-Temp 1.0™ Technology
- V-TEMP™ Electronic Control System
- Incandescent Lights with Proximity Door Switch, Activates Interior Lighting
- Expansion Valve Technology (refrigerator only)
- 20 Gauge, Stainless Steel Door(s)
- Dual Speed, Energy Efficient, EC Fan Motors
- Santoprene Door Gaskets with Exclusive 2 Year Warranty
- Stainless Steel Breaker Strips
- High Performance, Balanced, Top-Mounted Refrigeration
- R-134a Refrigerant for the Refrigerator Compartment
- Safety Shielded Strip Type Heating Elements
- Externally Mounted Blower Maintains Even Temperatures
- Plasticized Evaporator Fin Coils
- Non-Electric Condensate Evaporator
- Foamed-in-Place Polyurethane Insulation
- Insulated Partition Wall Separates Compartments
- Heavy Duty Cylinder Locks
- Self-Closing Doors with 120° Hold Open Feature
- Cam-Lift Hinges, Guaranteed for Life
- Ergonomically Correct Door Handles, Guaranteed for Life
- S, SA Series have 6" High, Adjustable Stainless Steel Legs
- Hinged Front Shroud Makes Condenser Cleaning Easier
- One Piece, Snap-In Magnetic Door Gasket(s)
- Stainless Steel Doorjamb On The Heated Compartment
- Anti-Condensate Door Perimeter Heaters
- Stainless Steel Interior Door Liner
- Energy Saving Thermal Breaker Caps (Refrigerator)
- Three (3) Chrome Wire Shelves per Warmer Cabinet Section (2-Section)
- One (1) Chrome Wire Shelves per Warmer Cabinet Section (1-Section)
- Three (3) Epoxy Wire Shelves per Ref. Cabinet Section (2-Section)
- One (1) Epoxy Wire Shelf per Ref. Cabinet Section (1-Section)
- Cord and Plug (see electrical data for details)

DUAL TEMPERATURE EXTRA WIDE REACH-IN WARMER/REFRIGERATORS

Featuring: **SecureTemp**_{1.0}



V-TEMP CONTROL™



HRS-1D-S1-EW-HS



SECURE-TEMP 1.0™

Secure-Temp 1.0™ is the industry's first and only full service temperature monitoring solution for your kitchen. Secure-Temp 1.0™ is standard on all Victory models and is HACCP compliant and meets NAFEM's data protocol. There is NO software or monthly monitoring fees. Optional add on kits are available for additional units in your kitchen that you want to monitor.

OPTIONS AND ACCESSORIES

- Correctional Facilities Options
- Stainless Steel Case Back and Shroud
- Stainless Steel Shelves
- 6" Overall Height Casters (Set of 4)
- Exterior Laminate Décor
- Adjustable Tray and Pan Slides
- Optional Voltages

MODELS

	LONG-DOOR	HALF-DOOR
 S SERIES Stainless Steel Exterior and Interior	HRS-2D-S1-EW	HRS-1D-S1-EW-HS HRS-2D-S1-EW-HS
 SA SERIES Stainless Steel Exterior and Aluminum Interior	HRSA-2D-S1-EW	HRSA-1D-S1-EW-HS HRSA-2D-S1-EW-HS

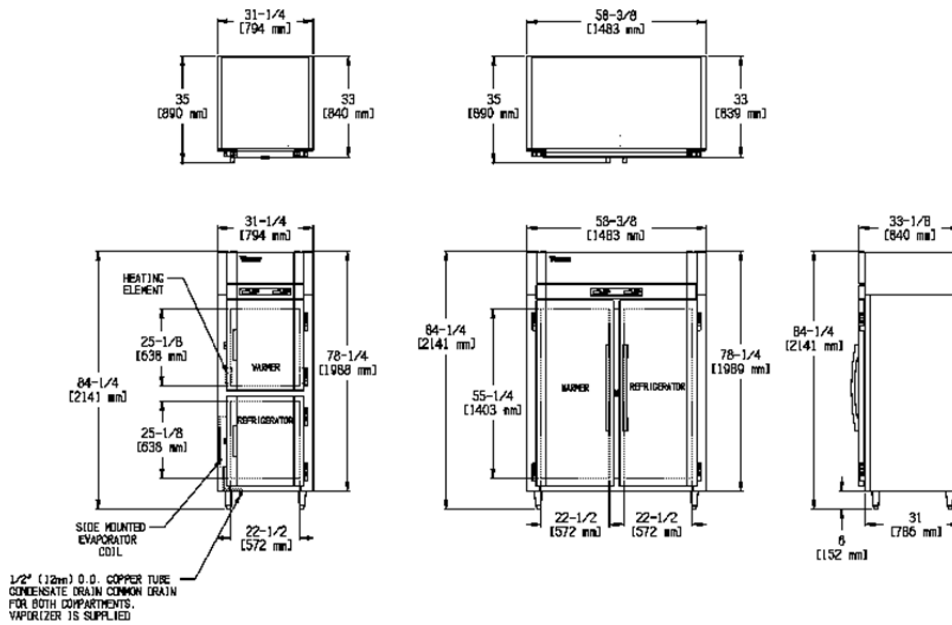


NOTE: Not all marks refer to all models. Please refer to www.energystar.gov to view the most up-to-date product listing and performance data.

3 Year Parts and Labor Warranty • 5 Year Compressor Warranty

Victory Refrigeration specification sheets are available online at www.victoryrefrigeration.com

APPROVALS:



We reserve the right to change specifications and product design without notice. Such revisions do not entitle the buyer to corresponding changes, improvements, additions or replacements for previously purchased equipment. Dimensional tolerances +/- .1/4". Metric dimensions (MM)

CABINET CONSTRUCTION

The cabinet front and doors are constructed of heavy gauge, polished stainless steel to maintain an attractive appearance after years of heavy use. Polyurethane foam insulation throughout ensures the ultimate in energy efficiency. The front shroud lifts up for easy access when cleaning the condenser unit.

DOOR CONSTRUCTION

The doors are heavy gauge, polished stainless steel with a stainless steel interior liner. Each door is provided with a cylinder lock and ergonomically correct vertical handle. The door hinges are self-closing and have a hold-open feature at 120° which facilitates product loading. Proximity switches energize the recessed interior incandescent lighting (top cabinet only for single section models) when the door is opened. Humidity control wires around the door jamb prevent condensation from forming on the front of the cabinet in high humidity environments. The wires are concealed by a high impact, non-conducting thermal breaker cap (warmer has stainless steel breakers).

REFRIGERATION SYSTEM

All components of the high efficiency, air-cooled, self-contained refrigeration system are mounted on top of the cabinet out of the food storage zone providing greater usable storage space. Environmentally friendly R-134a refrigerant is efficiently metered by a capillary system providing a constant, safe operating temperature and quick "recovery" under the most demanding conditions. The hermetically sealed system is designed to operate at 38°F. The cooling coil has plasticized fin coils to resist food acids and dual-speed EC fan motor(s) for greater cooling capacity and efficiency. All condensate water is disposed of automatically by the condensate vaporizer on the single section and disposed of automatically with the non-electric hot gas disposal system on the two section model.

HEATING SYSTEM

The safety shielded, "strip type" heaters located at the bottom of the cabinet interior are precisely controlled by the V-TEMPM electronic control with a temperature range from 80°F to 180°F. An externally mounted blower system ensures even temperatures throughout the cabinet interior. A built-in, adjustable humidity control vent allows the operator to maintain a moist or more dry environment.

INTERIOR STORAGE ARRANGEMENTS

Shelves are adjustable in one inch increments. A wide door opening allows for the use of a variety of optional pan slide configurations including 18" x 26" and 12" x 20" pans.

V-TEMP™ CONTROL SYSTEM

Dual temp models have two (2) easy to use V-TEMPM Controls provided standard. This durable, water resistant microprocessor monitors and controls the entire temperature maintenance process. The refrigerator control includes an ON/OFF switch, manual defrost, interior light switch, LED temperature indicator in °C or °F, a HI/LO audio/visual temperature alarm, power supply interruption, door ajar and "clean condenser" alarms. The warmer control includes an ON/OFF switch located on the control face, interior light switch, LED temperature indicator in °C or °F, a HI/LO audio/visual temperature alarm , and a door ajar alarm. The control has a set point memory. Upon start up, the unit will warm up to the last temperature set point. For both controls a manager's "lock-out" feature is provided to safeguard pre-determined settings. A HACCP Event Indicator/Memory feature announces and records up to nine (9) alarm events. Unique to the V-TEMPM Control are two standard modes of operation.

**** Remote units use R404a refrigerant standard and come with 6" legs.**

SUPERCOOL - Provides a lower "set-point" refrigeration condition for a set period of time when food has just been loaded into the refrigerator and needs to be quickly brought back down to a safe temperature.

ENERGY SAVER - The cabinet automatically reverts to the energy saving mode when there are no door openings for four hours.

A **FLEXTEMP** mode of operation is available as an option. **FLEXTEMP** provides the ability to select a unique temperature from 28°F to 40°F. This optional feature is ideal for seasonal menu changes and items with specific temperature requirements for dairy, meat, fish or poultry.

NOTE: FLEXTEMP mode is only available for the refrigerator compartment.

CHARACTERISTICS	1 SECTION	2 SECTION
DIMENSIONAL DATA Capacity		
Net (cubic ft.) Ref. Capacity	10.1	23.8
Net (cubic ft.) Warmer	10.1	23.8
Width, Overall (in.)	31 1/4	58 3/8
Depth, Overall (inc. handles)	35	35
Depth, Door(s) Open 90° (in.)	58 1/4	58 1/4
Clear Door Width (in.)	22 1/2	22 1/2
Clear Half-Door Height (in.)	N/A	25 3/8
Clear Full-Door Height (in.)	55 1/4	55 1/4
Height Overall (inc. 6" legs)	84 1/4	84 1/4
No. Full/Half Doors	2H	2F, 4H
No. of Shelves	2	6
Shelf Area (square ft.)	11.7	36.1

ELECTRICAL DATA

Cabinet voltage	208-240/60/1	208-240/60/1
Heater Watts per Section (@240V)	1,000	1,500
Condensing Unit Voltage	115/60/1	115/60/1
Total Amperes	13.6	15.7
NEMA Plug	14-20P	14-20P

REFRIGERATION DATA

Condensing Unit Size, Refrigerator	1/3 HP	1/3 HP
Refrigerant, Refrigerator	R-134a	R-134a

NOTE: Plug style, voltage and full load amps may vary depending on options selected such as optional voltages.

REMOTE APPLICATIONS: See form V-RRDS1 for details of remote refrigeration characteristics by model options selected such as optional voltages.

CRATED DIMENSIONS & WTS.	HT.	WIDTH	DEPTH	FT ³	LBS
ONE SECTION	83	36	44	76.08	480
TWO SECTION	83	63	44	133.15	690

NOTE: In order to provide peak operating performance the cabinet must have a 2 inch all around clearance and 12 inches above the top of the condensing unit. This ensures an adequate air supply and space for routine maintenance and/or service if required.