

VICTORY

3779 Champion Blvd – Winston-Salem, NC 27105
888.845.9800 • Fax: 800.253.5168

www.victoryrefrigeration.com • email: sales@victoryrefrigeration.com

PROJECT: _____
LOCATION: _____
ITEM #: _____
QUANTITY: _____

ULTRASPEC SERIES

STANDARD FEATURES

- Secure-Temp 1.0™ Technology
- V-TEMP™ Electronic Control System
- LED Lights with Proximity Door Switch, Activates Interior Lighting
- Expansion Valve Technology
- 20 Gauge, Stainless Steel Doors
- Dual Speed, Energy Efficient, EC Fan Motors
- Santoprene Door Gaskets with Exclusive 2 Year Warranty
- Stainless Steel Breaker Strips
- High Performance, Balanced, Top-Mounted Refrigeration
- R-134a and R-404A Refrigerants
- Plasticized Evaporator Fin Coils
- Non-Electric Condensate Evaporator
- Foamed-in-Place Polyurethane Insulation
- Insulated Partition Wall Separates Compartments
- Heavy Duty Cylinder Locks
- Self-Closing Doors with 120° Hold Open Feature
- Cam-Lift Hinges, Guaranteed for Life
- Ergonomically Correct Door Handles, Guaranteed for Life
- S, SA Series have 6" High, Adjustable Stainless Steel Legs
- Hinged Front Shroud Makes Condenser Cleaning Easier
- One Piece, Snap-In Magnetic Door Gasket(s)
- Anti-Condensate Door Perimeter Heaters
- Stainless Steel Interior Door Liner
- Energy Saving Thermal Breaker Caps, Guaranteed for Life
- Three (3) Epoxy Wire Shelves per Cabinet Section (2-Section Models)
- One (1) Epoxy Wire Shelf per Cabinet Section (1-Section Models)
- Cord and Plug (see electrical data for details)

DUAL TEMPERATURE EXTRA WIDE PASS-THRU REFRIGERATOR/FREEZERS

Featuring: **SecureTemp 1.0**



RFS-2D-S1-EW-PT

SECURE-TEMP 1.0™

Secure-Temp 1.0™ is the industry's first and only full service temperature monitoring solution for your kitchen. Secure-Temp 1.0™ is standard on all Victory models and is HACCP compliant and meets NAFEM's data protocol. There is NO software or monthly monitoring fees. Optional add on kits are available for additional units in your kitchen that you want to monitor.

OPTIONS AND ACCESSORIES

- Remote Models
- Correctional Facilities Options
- Stainless Steel Shelves
- 6" Overall Height Casters (Set of 4)
- Exterior Laminate Décor
- Adjustable Tray and Pan Slides
- Optional Voltages

MODELS



Stainless Steel Exterior and Interior

LONG-DOOR

RFS-2D-S1-EW-PT

HALF-DOOR

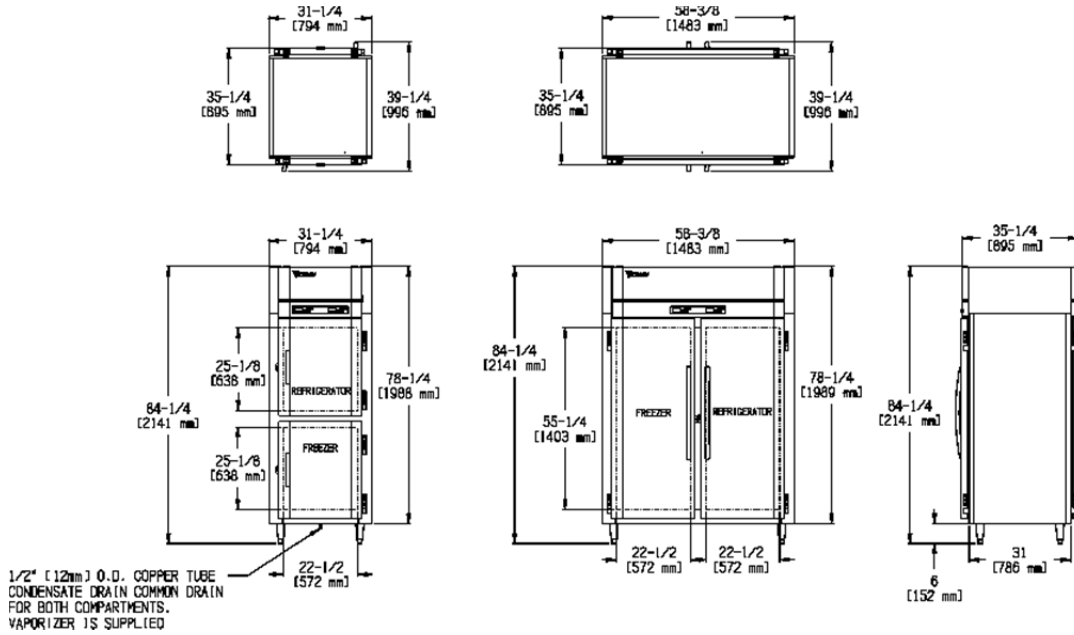
RFS-1D-S1-EW-PT-HS
RFS-2D-S1-EW-PT-HS



NOTE: Not all marks refer to all models
3 Year Parts and Labor Warranty • 5 Year Compressor Warranty

Victory Refrigeration specification sheets are available online at www.victoryrefrigeration.com

APPROVALS:



We reserve the right to change specifications and product design without notice. Such revisions do not entitle the buyer to corresponding changes, improvements, additions or replacements for previously purchased equipment. Dimensional tolerances +/- 1/4". Metric dimensions (MM)

CABINET CONSTRUCTION

The cabinet front and doors are constructed of heavy gauge, polished stainless steel to maintain an attractive appearance after years of heavy use. Polyurethane foam insulation throughout ensures the ultimate in energy efficiency. The front shroud lifts up for easy access when cleaning the condenser unit.

DOOR CONSTRUCTION

The doors are heavy gauge, polished stainless steel with a stainless steel interior liner. Each door is provided with a cylinder lock and ergonomically correct vertical handle. The door hinges are self-closing and have a hold-open feature at 120° which facilitates product loading. Proximity switches energize the recessed interior incandescent lighting (top cabinet only for single section models) when the door is opened. Humidity control wires around the door jamb prevent condensation from forming on the front of the cabinet in high humidity environments. The wires are concealed by a high impact, non-conducting thermal breaker cap (warmer has stainless steel breakers).

REFRIGERATION SYSTEM

All components of the high efficiency, air-cooled, self-contained refrigeration system are mounted on top of the cabinet out of the food storage zone providing greater usable storage space. Environmentally friendly R-134a refrigerant is efficiently metered by a capillary system providing a constant, safe operating temperature and quick "recovery" under the most demanding conditions. The hermetically sealed system is designed to operate at 38°F. The cooling coil has plasticized fin coils to resist food acids and dual-speed EC fan motor(s) for greater cooling capacity and efficiency. All condensate water is disposed of automatically by the condensate vaporizer on the single section and disposed of automatically with the non-electric hot gas disposal system on the two section model.

INTERIOR STORAGE ARRANGEMENTS

Shelves are adjustable in one inch increments. A wide door opening allows for the use of a variety of optional pan slide configurations including 18" x 26" and 12" x 20" pans.

V-TEMP™ CONTROL SYSTEM

Dual temp models have two (2) easy to use V-TEMP™ Controls provided standard. This durable, water resistant microprocessor monitors and controls the entire temperature maintenance process. The refrigerator control includes an ON/OFF switch, manual defrost, interior light switch, LED temperature indicator in °C or °F, a HI/LO audio/visual temperature alarm, power supply interruption, door ajar and "clean condenser" alarms. The warmer control includes an ON/OFF switch located on the control face, interior light switch, LED temperature indicator in °C or °F, a HI/LO audio/visual temperature alarm, and a door ajar alarm. The control has a set point memory. Upon start up, the unit will warm up to the last temperature set point. For both controls a manager's "lock-out" feature is provided to safeguard pre-determined settings. A HAACP Event Indicator/Memory feature announces and records up to nine (9) alarm events. Unique to the V-TEMP™ Control are two standard modes of operation.

SUPERCOOL - Provides a lower "set-point" refrigeration condition for a set period of time when food has just been loaded into the refrigerator and needs to be quickly brought back down to a safe temperature.

ENERGY SAVING - The cabinet automatically reverts to the energy saving mode when there are no door openings for four hours.

**** Remote units use R404a refrigerant standard and come with 6" legs.**

A **FLEXTEMP** mode of operation is available as an option. **FLEXTEMP** provides the ability to select a unique temperature from 28°F to 40°F. This optional feature is ideal for seasonal menu changes and items with specific temperature requirements for dairy, meat, fish or poultry.

NOTE: FLEXTEMP mode is only available for the refrigerator compartment.

CHARACTERISTICS	1 SECTION	2 SECTION
DIMENSIONAL DATA		
Capacity Net (cubic ft.) Ref.	11.0	25.6
Capacity Net (cubic ft.) Frzr.	11.0	25.6
Width, Overall (in.)	31 1/4	58 3/8
Depth, Overall (inc. handles)	39 1/4	39 1/4
Depth, Door(s) Open 90° (in.)	85 3/8	85 3/8
Clear Door Width (in.)	22 1/2	22 1/2
Clear Half-Door Height (in.)	25 3/8	25 3/8
Clear Full-Door Height (in.)	N/A	55 1/4
Height Overall (inc. 6" legs)	84 1/4	84 1/4
No. Full/Half Doors	4H	4F, 8H
No. of Shelves	2	6
Shelf Area (square ft.)	11.7	36.1

Electrical Data	1 SECTION	2 SECTION
Cabinet Voltage	115/60/1	115/60/1
Feed Wires Ref.	2	2
Feed Wires Frzr.	2	2
Condensing Unit Voltage Ref.	115/60/1	115/60/1
Condensing Unit Voltage Frzr.	115/60/1	208-240/60/1
Total Amperes, Refrigerator	13.6	8.8
Total Amperes, Freezer	7.3	11.9
NEMA Plug, Refrigerator	5-20P	NO
NEMA Plug, Freezer	5-15P	NO

Refrigeration Data	1 SECTION	2 SECTION
Condensing Unit Size, Refrigerator	1/3 HP	1/3 HP
Condensing Unit Size, Freezer	1/3 HP	3/4 HP
Refrigerant, Refrigerator	R-134a	R-134a
Refrigerant, Freezer	R-404a	R-404a

NOTE: Plug style, voltage and full load amps may vary depending on options selected such as optional voltages.

REMOTE APPLICATIONS: See form V-RRDS1 for details of remote refrigeration characteristics by model options selected such as optional voltages.

CRATED DIMENSIONS & WTS.	HT.	WIDTH	DEPTH	FT ³	LBS
ONE SECTION	83	36	44	76.08	450
TWO SECTION	83	63	44	133.15	660

NOTE: In order to provide peak operating performance the cabinet must have a 2 inch all around clearance and 12 inches above the top of the condensing unit. This ensures an adequate air supply and space for routine maintenance and/or service if required.