



Project: _____
 Location: _____
 Item #: _____
 Quantity: _____

Undercounter Freezer with Stainless Steel Top

One Section Model with Door

UF-27-SST

Case front, doors, top and ends of stainless steel.
 One piece ABS interior liner with stainless steel coil housing.

One Section Model with Two Drawers

UFD-27-SST

Case front, drawers, top and ends of stainless steel.
 One piece ABS interior liner with stainless steel coil housing.



Standard Features

- Interior Thermometer
- Easy Closing Door with One Piece Magnetic Gasket
- Door can be Rehinged in the Field
- One Piece Heavy-Duty Door Handle
- Heavy-Duty Vinyl Coated Steel Shelves
- High Density Foamed-in-Place Polyurethane Insulation
- High Impact One Piece ABS Interior Liner
- Plasticized Fin Coil
- Automatic Condensate Evaporator
- Energy Efficient Refrigeration System with Automatic Defrost
- Environmentally Friendly R-404A Refrigerant
- Cord and Plug Attached
- 3" Diameter Heavy-Duty Swivel Casters with Brakes
- Completely Enclosed Cabinet Back

Optional Features and Accessories

- Door Lock
- Change Door Swing
- Stainless Steel Back
- Adjustable Legs
- 5" Diameter Heavy-Duty Swivel Casters with Brakes
- Adjustable Stainless Steel Legs

Standard Features

- Interior Thermometer
- Each Drawer has One 12" x 20" x 6" Stainless Steel Pan (Supplied)
- Stainless Steel Drawer Front
- Heavy-Duty Stainless Steel Slides and Ball Bearings
- High Density Foamed-in-Place Polyurethane Insulation
- High Impact One Piece ABS Interior Liner
- Plasticized Fin Coil
- Automatic Condensate Evaporator
- Energy Efficient Refrigeration System with Automatic Defrost
- Environmentally Friendly R-404A Refrigerant
- Cord and Plug Attached
- 3" Diameter Heavy-Duty Swivel Casters with Brakes
- Completely Enclosed Cabinet Back

Optional Features and Accessories

- Stainless Steel Back
- Adjustable Legs
- 5" Diameter Heavy-Duty Swivel Casters with Brakes
- Adjustable Stainless Steel Legs

Approvals:

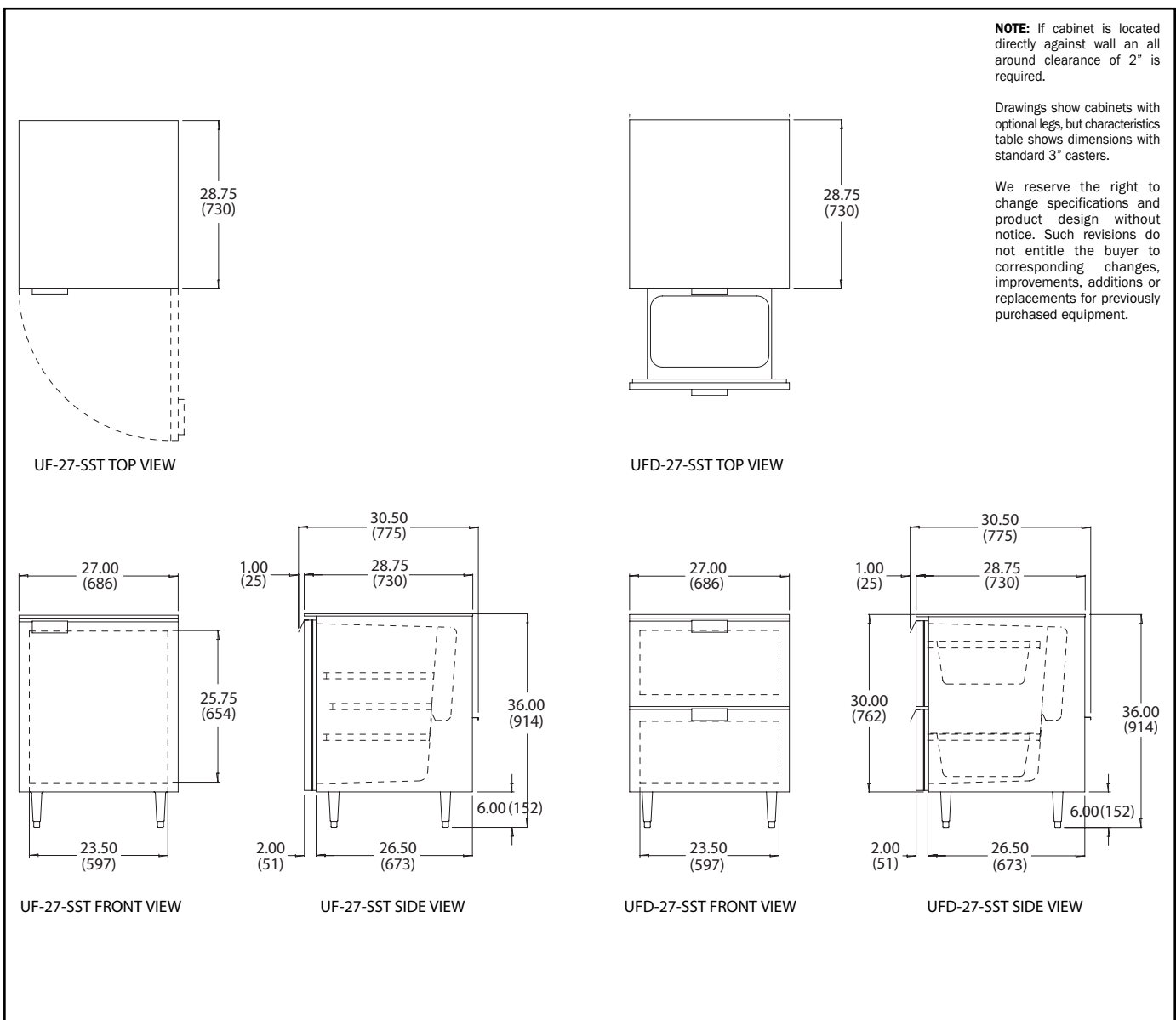


Victory Refrigeration specification sheets are available online at www.victory-refrig.com.

CHARACTERISTICS	UF-27-SST	UFD-27-SST
Width, Overall	27	27
Depth, Overall (incl. handles)	30 1/2	30 1/5
Height, Overall (incl. casters)	34	34
Depth, Open Door 90°	55 3/8	—
Clear Door Opening, Width	23 1/2	—
Clear Full Door Opening, Height	25 3/4	—
Depth, Drawer Open	—	46 1/2
Clear Drawer Width	—	23 1/2
Capacity Net (cubic feet)	7.0	7.0
No. of Full Doors	1	—
No. of Shelves	2	—
Shelf Area (square feet)	7.2	—
Each Drawer Pan (cubic feet)	—	1.5
Cabinet Voltage	115/60/1	115/60/1
Feed Wires	2	2
Condensing Unit Voltage	115/60/1	115/60/1
Condensing Unit Size (HP)	1/3	1/3
Total Amperes	7.1	7.1

Crated dim. & wts.	Ht.	Width	Depth	Cu. Ft.	Lbs.
UF-27-SST	42 1/2	34	33	27.6	165
UFD-27-SST	42 1/2	34	33	27.6	165

Dimensional tolerance ± 1/4" Metric dimensions (MM)



Continuous product development may necessitate specification changes and design without notice.



Victory participates in the KCL CADalog, the most current source of CAD symbols for foodservice designers worldwide. Symbols include standard equipment in plan, side, front and 3-D views, layered for FEDA/FCSI recommended guidelines.