



110 Woodcrest Road, Cherry Hill, NJ 08003-3648
 856.428.4200 • 800.523.5008 • Fax: 856.428.7299
 www.victoryrefrigeration.com • email: sales@victoryrefrigeration.com



PROJECT: _____
 LOCATION: _____
 ITEM #: _____
 QUANTITY: _____

**BLAST CHILLER
 SHOCK FREEZER**

**BLAST CHILLER/SHOCK FREEZER
 ROLL-IN/ROLL-THRU**

STANDARD FEATURES

- Soft and Hard, Timed or Core Probe Blast Chilling
- Soft and Hard, Timed or Core Probe Shock Freezing
- Automatic Recognition of Core Probe
- Multi Point Sensor Temperature Display Button
- Core Probe Heater Button
- HACCP Alarm Display Button
- Pre-Cooling Cycle Button
- Adjustable Evaporator Fan Speed Button
- Timed Manual Defrost Button
- Infinity Mode Program with Adjustable Set Point
- Automatic Conservation Mode at End of Cycle
- On Board Recipe Book with 68 Pre-Set Programs
- 30 Free Memory Positions for Custom Programs
- LCD Illuminated Temperature Display
- Real Time Clock
- RS 485 Connection
- One, High Precision Heated 4 Point Multi Sensor Probe
- Adjustable Stainless Steel Feet

OPTIONS AND ACCESSORIES

- Printer Kit
- UV Sterilization Lamp
- Core Probe for Vacuum Packaging
- Single Sensor Core Probes (up to Four Possible)
- USB Data Recorder / Interface
- Optional Voltages



**VBCF-20-230
 VBCF-20-230PT**



3 Year Parts and Labor Warranty • 5 Year Compressor Warranty

VBCF CABINET CONSTRUCTION

AISI 30418/10 stainless steel construction on inside and out. Die-formed interior floor has rounded corners and central drain for easy cleaning. High density foamed in place CFC and HCFC free expanded polyurethane insulation (3.2" thick). Anti-condensation perimeter heating around door opening. Non toxic epoxy coated evaporator coil. One, heated, high precision 4 point multi-sensor core probe and an insulated floor are standard. Internal bumpers and external guards protect the cabinet interior and the control panel from mobile carts.

VBCF DOOR CONSTRUCTION

Ergonomic door handle, safety panic button and outside lock, and rubber sweeper gasket.

VBCF REFRIGERATION SYSTEM

Remote refrigeration system uses R404A refrigerant. Evaporator is fitted with high velocity fans for maximum cooling efficiency. Indirect air flow assures highest product quality.

VBCF INTERIOR STORAGE ARRANGEMENTS

Accepts mobile carts - see model characteristics for cart sizes and pan capacity (number of pans and sizes). Cart(s) and pans not included.

VBCF ELECTRONIC CONTROL SYSTEM

Highly visible and ergonomically positioned (recessed inside the door) electronic control with LCD display insures precise control of Blast Chilling (194° F to 37° F in 90 Minutes) or Shock Freezing (194° F to 0° F in 240 Minutes) Cycles. One touch hard and soft automatic blast chilling or shock freezing cycles based either on core probe temperature or timed cycle. Automatic recognition of the core probe and automatic conservation mode at the end of a cycle. One touch display of HACCP Alarms (power failure, cycle time out of HACCP required time, high temp, low temp) recorded in memory. The real time clock provides date, time, and duration of HACCP alarms (power failure, cycle time out of HACCP required time, high temp, low temp) recorded in memory. Will record up to 10 alarm events before over writing the first alarm and will keep the data for a minimum of 48 hours in case of a power failure. On board program memory holds 99 total programs. Adjustable Evaporator Fan Speed button allows for regulation of the fan during the blast chilling or shock freezing cycle. Compressor protected by overload cut-out with automatic reset. Micro-switch control cuts out the evaporator fan and compressor whenever the door is opened.

CHARACTERISTICS

DIMENSIONAL DATA

	VBCF-20-230	VBCF-20-230PT
Width, Overall (in.)	47.2	47.2
Depth, Overall (in.)	45.3	50.7
Height Overall (with legs, in.)	87.8	87.8
Depth, Door Open 90°	74	74
Clear Door Height (in.)	75.6	75.6
Clear Cart Width (in.)	26.4	26.4
Internal Depth (in.)	33.5	33.5
Wall Thickness (in.)	3.1	3.1
Chilling Capacity in 90 min (lbs.)	230	230
Freezing Capacity in 240 min (lbs.)	150	150
Capacity Mobile Cart(s)	1 GN 1/1	1 GN 1/1
Capacity Sheet pans (18" x 26")	20	20
Capacity Steam Table Pans (12" x 20")	20	20

ELECTRICAL DATA

	VBCF-20-230	VBCF-20-230PT
Cabinet Voltage	208-240/1/60	208-240/1/60
NEMA Plug	N/A	N/A
Input Electric Power (W*)	918	918
Total Amperes (A*)	5.7	5.7

REMOTE REFRIGERATION DATA

	VBCF-20-230	VBCF-20-230PT
Refrigerant Capacity (W*)	6750	6750
Refrigerant	R404A	R404A
BTUH	24891	24891
Climate Class	T	T

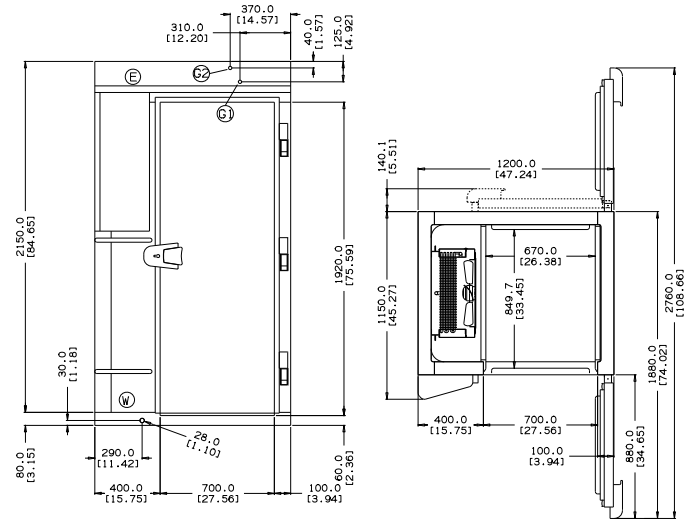
DIMENSIONS & WTS.

	VBCF-20-230	VBCF-20-230PT
Crated H x W x D (in.)	91 x 51 x 58	91 x 51 x 58
Crated Weight (lbs.)	1063	1096
Uncrated Weight (lbs.)	770	792

NOISE LEVEL (dBA): <70 <70

VBCF Evap. Temp -10° F, Ambient Temp. 90° F

VBCF-20-230 VBCF-20-230PT



- ① REFRIGERANT INLET
 - ② REFRIGERANT OUTLET
 - ⓔ ELECTRICAL CONNECTION
 - Ⓦ DRAIN CONNECTION
- DIMENSIONS mm [in]

We reserve the right to change specifications and product design without notice. Such revisions do not entitle the buyer to corresponding changes, improvements, additions or replacements for previously purchased equipment.

Dimensional tolerances +/- 1/4 [in]
Dimensional tolerances +/- 6.25 mm