



Project:

Item Number:

Quantity:

SIGNATURE SERVER®: UTILITY STATION



Base pictured with stainless corner strips for laminate finish.

DESCRIPTION

Vollrath's Utility Station is constructed of 18-gauge carbon steel clad with black vinyl, or optional laminate finish (all-stainless construction also available). All exposed stainless steel is type 304 polished with #4 finish or equal. Unit is mounted on heavy-duty, semi-hidden 4" (10.16 cm) diameter ball bearing swivel-type casters with non-marking treads. All casters come complete with locking plate brakes. Top shelf constructed of 16-gauge stainless steel, reinforced on underside with one stainless steel channel. Top fastened to base with threaded studs to underside of top.

LIGHTING (Requires breath guard) (Bulbs not included)

Note: Lighting options for breath protector components require that 120V AC be selected.

Incandescent/Infrared (Bulbs not included)

Attractively display and merchandise food or provide heat from above.

- 36431 Incandescent/Infrared, 46" (117 cm) Length
- 36432 Incandescent/Infrared, 60" (152.40 cm) Length
- 36433 Incandescent/Infrared, 74" (187.96 cm) Length
- 98661 Incandescent/Infrared, 88" (223.52 cm) Length

Fluorescent (Bulbs not included)

Illuminates food attractively while providing more room under breath guard. Includes shield for light tube.

- 36421 Fluorescent, 46" (117 cm) Length
- 36422 Fluorescent, 60" (152.40 cm) Length
- 36423 Fluorescent, 74" (187.96 cm) Length
- 98660 Fluorescent, 88" (223.52 cm) Length

Heat Strip (Bulbs not included)

Order alone or with incandescent lighting. Not available for use with cafeteria double-deck display shelf. Heat strips with lights not available for cafeteria single-deck breath guard.

Length	Heat Strip Only	Heat Strip With Lights
46" (117 cm)	<input type="checkbox"/> 36401	<input type="checkbox"/> 36411
60" (152.40 cm)	<input type="checkbox"/> 36402	<input type="checkbox"/> 36412
74" (187.96 cm)	<input type="checkbox"/> 36403	<input type="checkbox"/> 36413
88" (223.52 cm)	<input type="checkbox"/> 98860	<input type="checkbox"/> 98861

Agency Certifications



MODELS:

28" (71.12)	46" (117 cm)	60" (152.40)	74" (187.96)	88" (223.52)	Height
<input type="checkbox"/> 36220	<input type="checkbox"/> 36221	<input type="checkbox"/> 36222	<input type="checkbox"/> 36223	—	27" (68.58)
<input type="checkbox"/> 36120	<input type="checkbox"/> 36121	<input type="checkbox"/> 36122	<input type="checkbox"/> 36123	—	30" (76.20)
<input type="checkbox"/> 37020	<input type="checkbox"/> 37021	<input type="checkbox"/> 37022	<input type="checkbox"/> 37023	<input type="checkbox"/> 98711	34" (86.36)

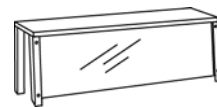
Optional Finishes

Optional Finishes				Finish	
<input type="checkbox"/> 36683	<input type="checkbox"/> 36680	<input type="checkbox"/> 36681	<input type="checkbox"/> 36682	<input type="checkbox"/> 98835	Matte
<input type="checkbox"/> 36690	<input type="checkbox"/> 36687	<input type="checkbox"/> 36688	<input type="checkbox"/> 36689	<input type="checkbox"/> 98835	Woodgrain
<input type="checkbox"/> 36696	<input type="checkbox"/> 36693	<input type="checkbox"/> 36694	<input type="checkbox"/> 36695	<input type="checkbox"/> 98836	Stainless
Brand _____				Color _____	

Optional solid surface and laminate tops available. Contact the factory.

BREATH GUARD

Cafeteria Breath Guard



Single Shelf

Twelve inch (30.48 cm) wide shelf is constructed of 18-gauge stainless steel and front panel is heavy-duty 1/4" (.63 cm) clear acrylic. Serving shelf and acrylic panel attach to 1" (2.54 cm) square tubular stainless steel uprights.

Double Shelf

Top shelf is 18-gauge stainless steel and 12" (30.48 cm) wide. Intermediate shelf is 1/4" (.63 cm) acrylic. Shelves mounted to 1" (2.54 cm) square tubular stainless steel uprights. Breath guards are 1/4" (.63 cm) clear acrylic and are adjustable/pivot to provide access to serving areas.

- 28" (71.12 cm) Length 37310 Single Shelf 37320 Double Shelf
- 46" (117 cm) Length 37311 Single Shelf 37321 Double Shelf
- 60" (152.40 cm) Length 37312 Single Shelf 37322 Double Shelf
- 74" (187.96 cm) Length 37313 Single Shelf 37323 Double Shelf
- 88" (223.52 cm) Length 98629 Single Shelf 98646 Double Shelf

Access Breath Guard

Top shelf constructed of 18-gauge carbon steel clad with black vinyl, optional laminate or stainless steel. Side and end panels constructed of 1/4" (.63 cm) clear acrylic. Uprights built of 18-gauge stainless steel. Provides 12" (30.48 cm) height clearance/serving opening when in use. Adjustable Access Breath Guard provides serving opening range of 9"-15" (22.8-38.1 cm) in one inch (2.54 cm) increments. NSF certified.

- 28" (71.12 cm) Length 36339 Adjustable 36337 Non-Adjustable
- 46" (117 cm) Length 36343 Adjustable 36341 Non-Adjustable
- 60" (152.40 cm) Length 36363 Adjustable 36361 Non-Adjustable
- 74" (187.96 cm) Length 36373 Adjustable 36371 Non-Adjustable
- 88" (223.52 cm) Length — 98603 Non-Adjustable

Buffet Breath Guard

Constructed of 18-gauge 1" (2.54 cm) square tubular stainless steel uprights. Panels made of 1/4" (.63 cm) clear acrylic. Side panels provide 12" (30.48 cm) clearance/serving opening when attached to Vollrath Signature Server® Base.

- 36300 28" (71.12 cm) Length 36303 74" (187.96 cm) Length
- 36301 46" (117 cm) Length 98619 88" (223.52 cm) Length
- 36302 60" (152.40 cm) Length

Optional powdercoat or brass breath guards available. Contact the factory.

Approvals	Date:

Signature Server®: Utility Station

The Vollrath Company, L.L.C.



www.vollrathco.com

The Vollrath Company, L.L.C.
 1236 North 18th Street
 Sheboygan, WI 53082-0611
 U.S.A.
 Main Tel: 800.624.2051
 Service Tel: 800.628.0832
 FAX: 800.752.5620

Vollrath of Canada, Ltd.
 6320 Danville Road, Unit 1
 Mississauga, Ontario L5T 2L7
 Canada
 Tel: 905.565.1167
 Tel: 800.695.8560
 FAX: 905.565.1168

SIGNATURE SERVER®: UTILITY STATION**ACCESSORIES AND ADD ONS****Tray Slide with Mounting Kit**

Constructed of 18-gauge stainless steel with 4 ribs. Bracket provides 4¾" (12.07 cm) tray slide height adjustment. 11½" (29.21 cm) wide with 1" (2.54 cm) turned down flange. Locking brackets on each end to join stations together. Adds 5½" (13.97 cm) to width of unit in folded position.

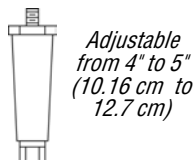


- 37521 28" (71.12 cm) Length
- 37522 46" (117 cm) Length
- 37523 60" (152.40 cm) Length
- 37524 74" (187.96 cm) Length
- 98831 88" (223.52 cm) Length

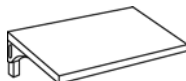
Stationary Legs

Constructed of plated metal. Threaded insert with height adjustment of 1" (2.54 cm).

- 36921 Stationary Legs

**End Shelf**

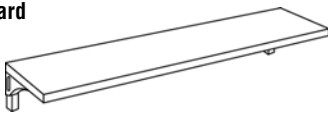
Constructed of 18-gauge stainless steel with fold-down style mounting bracket. Attaches to 46" (117 cm), 60" (152.40 cm), 74" (187.96 cm) and 88" (223.52 cm) Signature Servers. Adds 4½" (11.43 cm) to length of unit in folded position. Must be factory installed.



- 37570 End Shelf, 18" x 28" (45.72 cm x 71.12 cm)

Plate Rest or Stainless Cutting Board with Mounting Kit

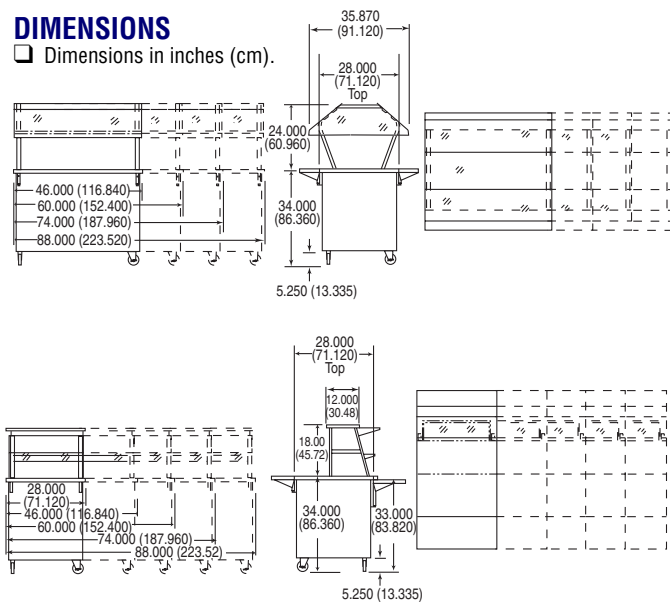
Made of 18-gauge stainless steel with fold-down style mounting bracket. 7" (17.78 cm) wide with 1" (2.54 cm) turned down flange. Locking brackets on each end to join stations together. Adds 4½" (11.43 cm) to width of unit in folded position.



- 37511 28" (71.12 cm) Length
- 37512 46" (117 cm) Length
- 37513 60" (152.40 cm) Length
- 37514 74" (187.96 cm) Length
- 98829 88" (223.52 cm) Length

DIMENSIONS

- Dimensions in inches (cm).

**Storage Module (30" [76.20 cm] and 34" [86.36 cm] Height Units Only)**

Constructed of 18-gauge stainless steel and formed to allow flange to fit over exterior surface of server base. Doors are constructed of 18-gauge carbon steel clad with black vinyl, laminated finish or stainless steel.

- 36936 Storage Module with Doors 46" (117 cm), (36" x 16½" x 24½")
- 36937 Storage Module w/o Doors (91.44 cm x 41.91 cm x 62.23 cm)
- 36938 Storage Module with Doors 60" (152.40 cm), (50" x 16½" x 24½")
- 36939 Storage Module w/o Doors (127 cm x 41.91 cm x 62.23 cm)
- 36940 Storage Module with Doors 74" (187.96 cm), (64" x 16½" x 24½")
- 36941 Storage Module w/o Doors (162.56 cm x 41.91 cm x 62.23 cm)
- 36940 Storage Module with Doors 88" (223.52 cm), (64" x 16½" x 24½")
- 36941 Storage Module w/o Doors (162.56 cm x 41.91 cm x 62.23 cm)

Cutting Board

Wood cutting board is made of 1½" (2.86 cm) thick sectional kiln dried maple. Poly cutting board is 1" (2.54 cm) thick. Both NSF certified. Boards have chrome plate fold-down style mounting brackets. Removable without tools. Adds 4½" (11.43 cm) to width of unit in folded position.



- 37551 Wood, 46" (117 cm)
- 37552 Wood, 60" (152.40 cm)
- 37553 Wood, 74" (187.96 cm)
- 98851M Wood, 88" (223.52 cm)
- 37561 Poly, 46" (117 cm)
- 37562 Poly, 60" (152.40 cm)
- 37563 Poly, 74" (187.96 cm)
- 98852M Poly, 88" (223.52 cm)

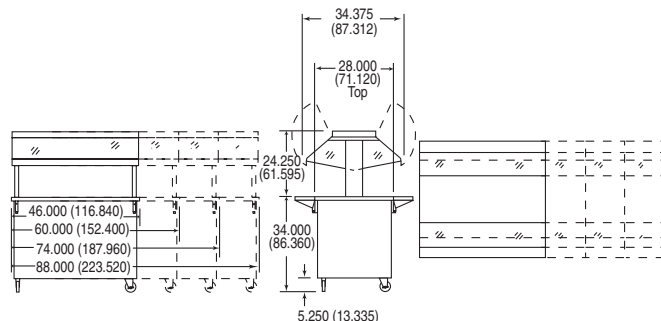
Bag-In-Box Storage Shelf (30" [76.20 cm] and 34" [86.36 cm] Heights Only)

Full-length undershelf reinforced to hold components of Bag-In-Box systems. Open on operator side, stainless frame around opening, shelf is reinforced, and interior of base is unfinished. Fits 30" (76.20 cm) and 34" (86.36 cm) height bases.

Base	Undershelf	Intermediate Shelf
46" (117 cm)	<input type="checkbox"/> 36981 Stainless <input type="checkbox"/> 36982 Galvanized	<input type="checkbox"/> 36991 Stainless <input type="checkbox"/> 36992 Galvanized
60" (152.40 cm)	<input type="checkbox"/> 36983 Stainless <input type="checkbox"/> 36984 Galvanized	<input type="checkbox"/> 36993 Stainless <input type="checkbox"/> 36994 Galvanized
74" (187.96 cm)	<input type="checkbox"/> 36985 Stainless <input type="checkbox"/> 36986 Galvanized	<input type="checkbox"/> 36995 Stainless <input type="checkbox"/> 36996 Galvanized
88" (223.52 cm)	<input type="checkbox"/> 98790 Stainless	-

Note: In the interest of continued improvement, we reserve the right to change specifications without notice.

- Custom Design



Setting
the Standard™

www.vollrathco.com

The Vollrath Company, L.L.C.
1236 North 18th Street
Sheboygan, WI 53082-0611
U.S.A.
Main Tel: 800.624.2051
Service Tel: 800.628.0832
FAX: 800.752.5620

Vollrath of Canada, Ltd.
6320 Danville Road, Unit 1
Mississauga, Ontario L5T 2L7
Canada
Tel: 905.565.1167
Tel: 800.695.8560
FAX: 905.565.1168