



Project:

Item Number:

Quantity:

MODULAR DROP-IN: BOTTOM-MOUNT INDUSTRY AND VOLLRATH WELLS



Bottom-Mount Vollrath Style Well

DESCRIPTION

The modular drop-in is designed for bottom-mount installation and requires hard-wiring. The drop-in comes complete with either 36" (91.4 cm) or 72" (182.9 cm) wire leads for remote installation of the control module.

Drop-in can operate wet or dry, however, moist operation is recommended for even heating of the food product. Meets NSF4 performance standards when using moist heat.

High-density glass fiber insulation and internal design features allow zero-clearance installation and use of 1000W elements.

Stainless steel well is 6 3/8" (16.2 cm) deep to allow use of full-size and fractional pans up to 6" (15.2 cm) deep while still providing moist heat. Adaptor bars are recommended when using fractional pans.

MODELS

Industry Wells

- 36352 36" Remote Control Leads, 120V
- 36353 72" Remote Control Leads, 120V
- 36354 36" Remote Control Leads, 208-240V
- 36355 72" Remote Control Leads, 208-240V

Vollrath Wells

- 36356 36" Remote Control Leads, 120V
- 36360 72" Remote Control Leads, 120V
- 36358 36" Remote Control Leads, 208-240V
- 36359 72" Remote Control Leads, 208-240V

FEATURES

- Thermostatic control
- Deep drawn well is 20-gauge 18-8 stainless steel
- Standard 1000W heating element
- Standard drain is 1/2" (1.27 cm) stainless steel fitting welded to pan with brass nipple extending below exterior housing. Drain screen included
- Unit insulated on sides, ends, and below element assembly with high-density glass fiber insulation
- Exterior housing is 20-gauge galvanized steel
- Drop-in is supplied with stainless steel control panel for remote mounting of control
- Available with either 36" (91.4 cm) or 72" (182.9 cm) remote control leads
- Full one-year parts and labor warranty

WARRANTY: All models shown come with Vollrath's standard warranty against defects in materials and workmanship. For full warranty details, please refer to the Vollrath Equipment and Smallwares Catalog.

Agency Listings



Due to continued product improvement, please consult www.vollrathco.com for current product specifications.

Approvals	Date



Setting the Standard™

www.vollrathco.com

The Vollrath Company, L.L.C.
 1236 North 18th Street
 Sheboygan, WI 53081-3201 U.S.A.
 Customer Service: 800.628.0830
 Canada Customer Service: 800.695.8560
 Main Fax: 800.752.5620 or 920.459.6573

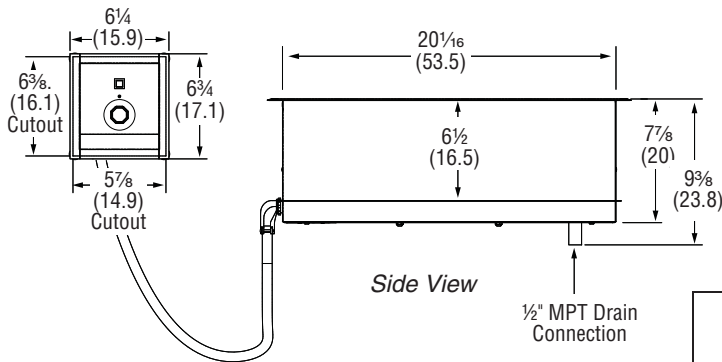
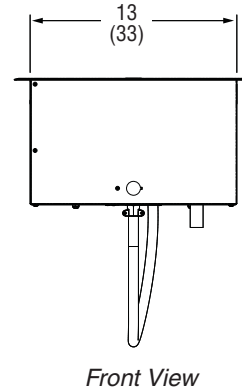
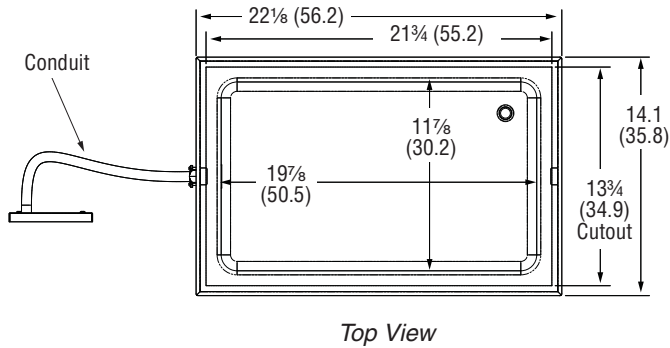
Technical Services: 800.628.0832
 Technical Services Fax: 920.459.5462

MODULAR DROP-IN: BOTTOM-MOUNT INDUSTRY AND VOLLRATH WELLS

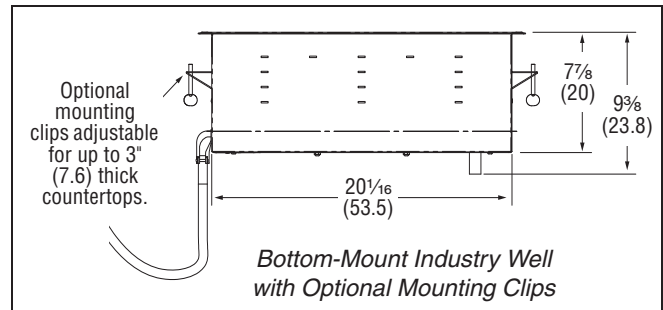
MODELS	36352	36" Remote Control Leads, 120V	36356	36" Remote Control Leads, 120V
	36353	72" Remote Control Leads, 120V	36360	72" Remote Control Leads, 120V
	36354	36" Remote Control Leads, 208-240V	36358	36" Remote Control Leads, 208-240V
	36355	72" Remote Control Leads, 208-240V	36359	72" Remote Control Leads, 208-240V

DIMENSIONS

□ Dimensions shown in inches (cm).



Dimension drawing files are available. Contact the Technical Services department at The Vollrath Company, L.L.C.



ELECTRICAL SPECIFICATIONS

Model	HZ	Volts	Amps
36352	60	120V AC	8.3
36353	60	120V AC	8.3
36354	60	208-240V AC	3.6 - 4.2
36355	60	208-240V AC	3.6 - 4.2
36356	60	120V AC	8.3
36360	60	120V AC	8.3
36358	60	208-240V AC	3.6 - 4.2
36359	60	208-240V AC	3.6 - 4.2

Notes:

Contact Vollrath Technical Services for bottom mount flange dimensions/requirements.

Vollrath drop-ins are made to order and cannot be returned. It is the responsibility of the installer to ensure cut-outs on new installations are correct, or retrofit installation dimensions match up with Vollrath product dimensions. Vollrath will not guarantee that our models retrofit with specific competitive models (as competitive specifications can change without notice). We recommend countertop cut-outs be made after receipt of the Vollrath drop-in, to ensure proper fit prior to cutting into countertop materials.

