



Project:

Item Number:

Quantity:

Modular Drop-in: Three Well Hot

The Vollrath Company, L.L.C.

## MODULAR DROP-IN: THREE WELL HOT



Modular Drop-In: Three Well Hot

### DESCRIPTION

The modular drop-in is designed for top-mount installation and does not require hard-wiring. The drop-in comes complete with a 6-ft. (182.8 cm) power cord with plug and a 4-ft. (121.9 cm) control cord for remote installation.

Full-perimeter drip-edge contains spills and condensation within the stainless steel countertop area of the drop-in. Drip-edge adds additional strength to the flange area.

Drop-in can operate wet or dry, however, moist operation is recommended for even heating of the food product. It meets NSF4 performance standards when using moist heat.

High-density glass-fiber insulation allows zero-clearance installation and use of 625W elements for lower energy consumption and reduced costs. Also available with 1000W elements.

Stainless steel wells are 6 $\frac{3}{8}$ " (16.2 cm) deep to allow use of full-size and fractional pans up to 6" (15.2 cm) deep while still providing moist heat. Adaptor bars are recommended when using fractional pans.

**WARRANTY:** All models shown come with Vollrath's standard warranty against defects in materials and workmanship. For full warranty details, please refer to the Vollrath Equipment and Smallwares Catalog.

### Agency Listings



Due to continued product improvement, please consult [www.vollrathco.com](http://www.vollrathco.com) for current product specifications.

MODELS	1000W Per Well	625W Per Well	Drain	Auto-Fill
120V	3640401	36404	Standard	-
Infinite	3640451	3640450	Manifold	-
Control	3640461	3640460	Manifold	Yes
120V	3640411	3640410	Standard	-
Thermostatic	3640471	3640470	Manifold	-
Control	3640481	3640480	Manifold	Yes
208V		36405	Standard	-
Infinite		3640550	Manifold	-
Control		3640560	Manifold	Yes
208V		3640510	Standard	-
Thermostatic		3640570	Manifold	-
Control		3640580	Manifold	Yes
208-240V	3640501		Standard	-
Infinite	3640551		Manifold	-
Control	3640561		Manifold	Yes
208-240V	3640511		Standard	-
Thermostatic	3640571		Manifold	-
Control	3640581		Manifold	Yes
240V		36473	Standard	-
Infinite		3647350	Manifold	-
Control		3647360	Manifold	Yes
240V		3647310	Standard	-
Thermostatic		3647370	Manifold	-
Control		3647380	Manifold	Yes

### FEATURES

- Top is 18-gauge stainless steel, with  $\frac{3}{8}$ " (9.5 mm) overhang on all sides and die-stamped with full-perimeter drip-edge.
- Breaker gasket included for installation under drip-edge.
- Flat work surface around opening.
- Deep drawn well is 20-gauge stainless steel, 6 $\frac{3}{8}$ " (16.2 cm) deep.
- Standard 1000W or 625W heating element.
- Infinite or thermostatic control.
- Power indicator light.
- Standard drain is  $\frac{1}{2}$ " (1.3 cm) stainless steel fitting welded to pan with ball valve shutoff below exterior housing.
- Manifold drain option is 1" (2.5 cm) copper tubing and retains individual well shut-off and adds manifold shutoff.
- Unit insulated on sides, between wells, and below element assembly with high-density glass fiber insulation.
- Exterior housing is 20-gauge galvanized steel.
- Drop-in is supplied with stainless steel control panel connected to bottom of unit for shipping.
- Control panel may remain on unit or be remote mounted.
- Control wires contained in flexible rubber cord.
- Unit comes with cord and plug and does not require hard-wiring installation.
- Positioning clips provided to center drop-in within cutout.
- Standard mounting clips adjustable for up to 3" (7.6 cm) thick counters.
- Full one-year parts and labor warranty.
- Sheet pan adapter available. Item No. 19186.

Approvals	Date



Setting  
the Standard™

[www.vollrathco.com](http://www.vollrathco.com)

The Vollrath Company, L.L.C.  
1236 North 18th Street  
Sheboygan, WI 53081-3201 U.S.A.  
Customer Service: 800.628.0830  
Canada Customer Service: 800.695.8560  
Main Fax: 800.752.5620 or 920.459.6573

Technical Services: 800.628.0832  
Technical Services Fax: 920.459.5462

# MODULAR DROP-IN: THREE WELL HOT

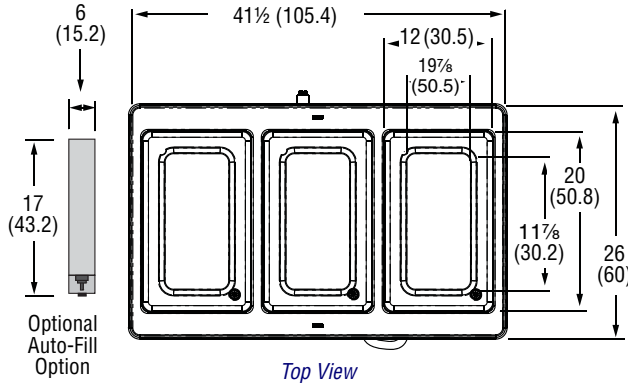
## AUTO-FILL OPTION

Field-installed option that efficiently maintains a constant water level. Eliminates the need to monitor wells and add water, reducing operating and labor costs. Attaches easily to manifold drain assembly using simple tools. The check valve/siphon prevents cross contamination of drain and potable water lines. NOTE: The auto-fill reservoir is approximately 6 x 17 (15.2 x 43.2) and requires additional space in the cabinet.

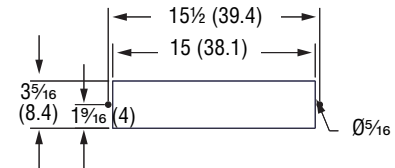
## DIMENSIONS

□ Cutout Dimensions: 27½" x 25¼" (69.9 cm x 64.1 cm). Opening cutout must have a 7/8" (2.2 cm) corner radius.

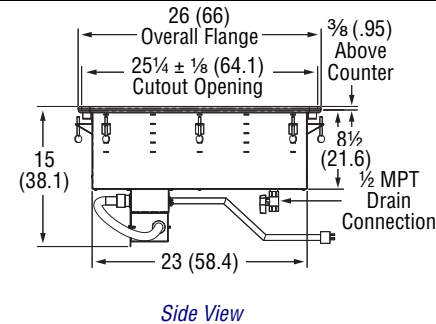
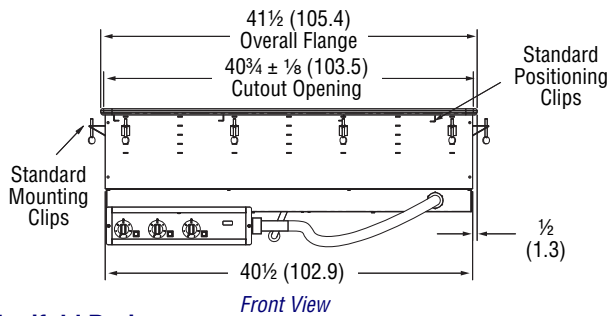
Dimensions shown in inches (centimeters).



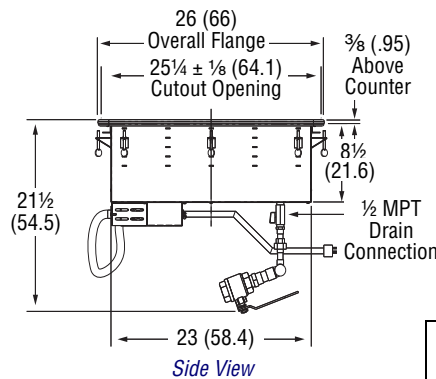
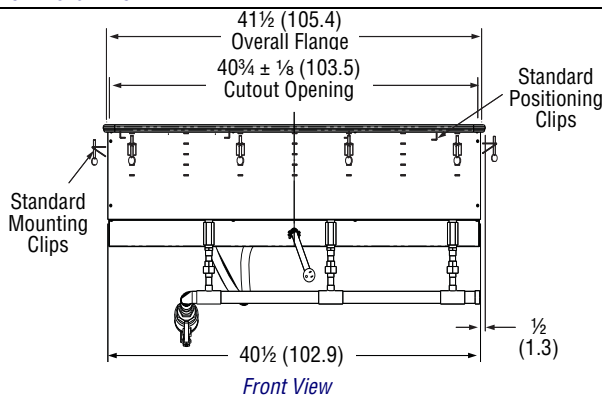
### Control Panel Cutout +.063/-0 (+.160/-0) Tolerance



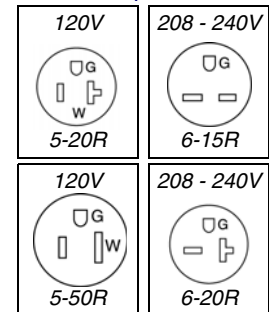
### Standard Drain



### Manifold Drain



### Receptacles



## ELECTRICAL SPECIFICATIONS

Model	Watts Per Well	Total Watts	Volts	Nominal Amps	NEMA Plug
36404, 3640450, 3640460, 3640410, 3640470, 3640480	625	1875	120V AC	15.6	5-20P
3640401, 3640451, 3640461, 3640411, 3640471, 3640481	1000	3000	120V AC	25	5-50P
36405, 3640550, 3640560, 3640510, 3640570, 3640580	625	1875	208V AC	9	6-15P
3640501, 3640551, 3640561, 3640511, 3640571, 3640581	1000	2250 - 3000	208 - 240V AC	10.8 - 12.5	6-20P
36473, 3647350, 3647360, 3647310, 3647370, 3647380	625	1875	240V AC	7.8	6-15P



The Vollrath Company, L.L.C.  
1236 North 18th Street  
Sheboygan, WI 53081-3201 U.S.A.  
Customer Service: 800.628.0830  
Canada Customer Service: 800.695.8560  
Main Fax: 800.752.5620 or 920.459.6573

Technical Services: 800.628.0832  
Technical Services Fax: 920.459.5462