



Project:

Item Number:

Quantity:

Modular Drop-In: Standard Refrigerated Cold Pan

The Vollrath Company, L.L.C.

**MODULAR DROP-IN: STANDARD REFRIGERATED COLD PAN**

<b>MODELS:</b>	<b>36490 One Pan</b>	<b>36444 Four Pan</b>
	<b>36441 Two Pan</b>	<b>36446 Five Pan</b>
	<b>36442 Three Pan</b>	<b>36448 Six Pan</b>



Modular Drop-In: Standard Refrigerated Cold Pan

**DESCRIPTION**

The modular drop-in standard (non-NSF7) refrigerated cold pans are designed for top-mount installation.

A full-perimeter drip edge contains spills and condensation within the stainless steel countertop area of the drop-in.

High-density polyurethane foam insulation surrounds the exterior of the well to provide most efficient performance with energy savings.

The 8" (20.3 cm) deep display well is designed to accommodate standard 12" x 20" (30.5 x 50.8 cm) pans.

Refrigeration coils surround the exterior side walls of well for maximum cooling. Refrigerant is R134A to meet federal standards.

1" (2.5 cm) integrated drain is standard. Optional perforated false bottom is available.

**FEATURES**

- Top is 18-gauge stainless steel, 18-8 Type 304, with 3/8" (9.52 mm) overhang on all sides and die stamped with full-perimeter drip edge. Molded breaker gasket fitted under drip edge.
- Flat work surface around opening.
- Seamless well is 18-gauge 18-8 stainless Type 304, 8" (20.3 cm) deep.
- 1" (2.5 cm) integral drain is standard.
- Refrigeration coils surround exterior side walls of well.
- Inner well assembly insulated with foamed in place polyurethane foam insulation.
- Condensing unit suspended below well.
- Temperature control on compressor.
- For complete air circulation, two openings in the cabinet are required. Two aluminum louver panels are shipped with the drop-in unit. Louver cutout size is 8" x 10" (20.3 x 25.4 cm).
- Exterior housing is 18-gauge galvanized steel.
- Optional perforated false bottom is nominal 1" (2.5 cm) high and constructed of 18-gauge Type 304 stainless steel. False bottom will reduce pan depth by same dimension. False bottom options:

Drop-In Model	False Bottom Model
36490	20000
36441	36913
36442	36914
36444	36915
36446	36916
36448	36917

- Unit comes with cord and plug and does not require hard wiring.
- On/Off switch is mounted on side of compressor housing.
- Positioning clips provided to center drop-in within cutout.
- One-year parts and labor warranty. Additional four years on compressor.
- Cold drop-ins are best used for holding periods up to 4 hours – for best performance, stainless steel containers are recommended.

**Agency Certifications**



<b>Approvals</b>
<b>Date:</b>



Setting the Standard™

www.vollrathco.co

The Vollrath Company, L.L.C.  
 1236 North 18th Street  
 Sheboygan, WI 53082-0611  
 U.S.A.  
 Main Tel: 800.624.2051  
 Service Tel: 800.628.0832  
 FAX: 800.752.5620

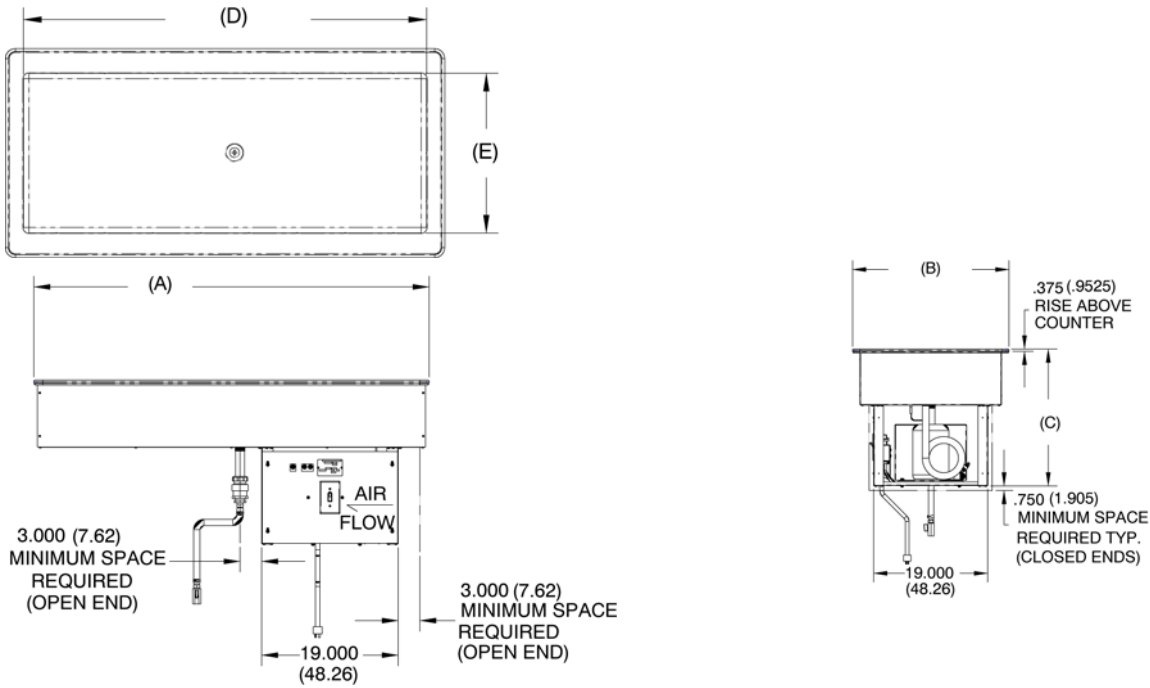
Vollrath of Canada, Co  
 Tel: 800.695.8560  
 FAX: 800.752.5620

## MODULAR DROP-IN: STANDARD REFRIGERATED COLD PAN

<b>MODELS:</b>	36490 One Pan	36444 Four Pan	
	36441 Two Pan	36446 Five Pan	
	36442 Three Pan	36448 Six Pan	

### DIMENSIONS

- ❑ Opening cutout must have a 7/8" (2.2 cm) corner radius.
- ❑ Dimensions shown in inches (cm).



**NOTE:** For the One Pan Drop-in, the control switch is located on the side of the housing and not on the front as shown above. Also, the drain is located within the housing for the One Pan Drop-in.

Item	(A) Length	(B) Width	(C) Height	Display Area		Cutout		Comp	Voltage	Amps	Plug	Receptacle
				(D)	(E)	Length	Width					
36490	15.00 (38.10)	26.00 (66.04)	23.50 (59.69)	12.00 (30.48)	19.875 (50.482)	14.25 (36.20)	25.25 (64.10)	1/5 HP	120	3.8	5-15P	5-15R
36441	29.00 (73.70)	26.00 (66.04)	23.50 (59.69)	24.75 (62.865)	19.875 (50.482)	28.25 (71.80)	25.25 (64.10)	1/4 HP	120	4.9	5-15P	5-15R
36442	41.50 (105.41)	26.00 (66.04)	23.50 (59.69)	37.50 (95.25)	19.875 (50.482)	40.75 (103.505)	25.25 (64.10)	1/4 HP	120	4.9	5-15P	5-15R
36444	54.75 (139.065)	26.00 (66.04)	23.50 (59.69)	50.25 (127.635)	19.875 (50.482)	54.00 (137.16)	25.25 (64.10)	1/4 HP	120	4.9	5-15P	5-15R
36446	68.00 (172.72)	26.00 (66.04)	23.50 (59.69)	63.00 (160.02)	19.875 (50.482)	67.25 (170.815)	25.25 (64.10)	1/4 HP	120	4.9	5-15P	5-15R
36448	81.25 (206.375)	26.00 (66.04)	23.50 (59.69)	75.75 (192.405)	19.875 (50.482)	80.50 (204.47)	25.25 (64.10)	1/3 HP	120	7.2	5-15P	5-15R



The Vollrath Company, L.L.C.  
 1236 North 18th Street  
 Sheboygan, WI 53082-0611  
 U.S.A.  
 Main Tel: 800.624.2051  
 Service Tel: 800.628.0832  
 FAX: 800.752.5620

Vollrath of Canada, Co  
 Tel: 800.695.8560  
 FAX: 800.752.5620