



Project:

Item Number:

Quantity:

Modular Drop-In: Two Well Hot

The Vollrath Company, L.L.C.

MODULAR DROP-IN: TWO WELL HOT



Modular Drop-In: Two Well Hot

DESCRIPTION

The modular drop-in is designed for top-mount installation and does not require hard-wiring. The drop-in comes complete with a 6-ft. (182.8 cm) power cord with plug and a 4-ft. (121.9 cm) control cord for remote installation.

Full-perimeter drip-edge contains spills and condensation within stainless steel countertop area of the drop-in. Drip-edge adds additional strength to the flange area.

Drop-in can operate wet or dry, however, moist operation is recommended for even heating of the food product. Meets NSF4 performance standards when using moist heat.

High-density glass-fiber insulation allows zero-clearance installation and use of 625W elements for lower energy consumption and reduced costs. Also available with 1000W elements.

Stainless steel wells are 6 $\frac{3}{8}$ " (16.19 cm) deep to allow use of full-size and fractional pans up to 6" (15.24 cm) deep while still providing moist heat. Adaptor bars are recommended when using fractional pans.

MODELS	1000W Per Well	625W Per Well	Drain	Auto-Fill
120V Infinite Control	3639901 3639951 3639961	36399 3639950 3639960	Standard Manifold Manifold	- - Yes
120V Thermostatic Control	3639911 3639971 3639981	3639910 3639970 3639980	Standard Manifold Manifold	- - Yes
208V Infinite Control		36400 3640050 3640060	Standard Manifold Manifold	- - Yes
208V Thermostatic Control		3640010 3640070 3640080	Standard Manifold Manifold	- - Yes
208-240V Thermostatic Control	3640001 3640051 3640061		Standard Manifold Manifold	- - Yes
208-240V Thermostatic Control	3640011 3640071 3640081		Standard Manifold Manifold	- - Yes
240V Infinite Control		36472 3647250 3647260	Standard Manifold Manifold	- - Yes
240V Thermostatic Control		3647210 3647270 3647280	Standard Manifold Manifold	- - Yes

FEATURES

- Top is 18-gauge stainless steel, 18-8 Type 304, with $\frac{3}{8}$ " (9.52 mm) overhang on all sides and die-stamped with full-perimeter drip-edge, and 19 $\frac{7}{8}$ " x 11 $\frac{7}{8}$ " (50.48 x 30.16 cm) openings.
- Breaker gasket included for installation under drip-edge.
- Flat work surface around opening.
- Deep drawn well is 20-gauge 18-8 stainless steel, 6 $\frac{3}{8}$ " (16.19 cm) deep.
- Standard 1000W or 625W heating element.
- Infinite or thermostatic control.
- Power indicator light.
- Standard drain is $\frac{1}{2}$ " (1.27 cm) stainless steel fitting welded to pan with ball valve shutoff below exterior housing.
- Manifold drain option is 1" (2.54 cm) copper tubing and retains individual well shut-off and adds manifold shutoff.
- Unit insulated on sides, between wells, and below element assembly with high-density glass fiber insulation.
- Exterior housing is 20-gauge galvanized steel.
- Drop-in is supplied with stainless steel control panel connected to bottom of unit for shipping.
- Control panel may remain on unit or be remote mounted.
- Control wires contained in flexible rubber cord.
- Unit comes with cord and plug and does not require hard-wiring installation.
- Positioning clips provided to center drop-in within cutout.
- Standard mounting clips adjustable for up to 3" (7.62 cm) thick counters.
- Full one-year parts and labor warranty.
- Sheet pan adapter available. Item No. 19186.

Agency Certifications



Approvals	Date:



Setting the Standard™

www.vollrathco.com

The Vollrath Company, L.L.C.
1236 North 18th Street
Sheboygan, WI 53082-0611
U.S.A.
Main Tel: 800.624.2051
Service Tel: 800.628.0832
FAX: 800.752.5620

Vollrath of Canada, Co.
Tel: 800.695.8560
FAX: 800.752.5620

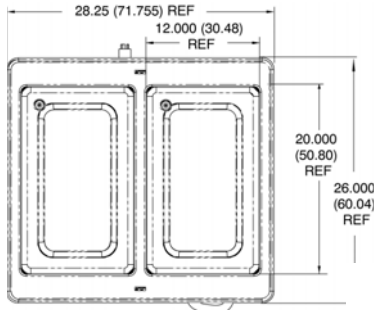
MODULAR DROP-IN: TWO WELL HOT

AUTO-FILL OPTION

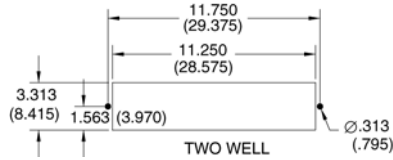
Field-installed option that efficiently maintains a constant water level. Eliminates the need to monitor wells and add water, reducing operating and labor costs. Attaches easily to manifold drain assembly using simple tools. The check valve/siphon prevents cross contamination of drain and potable water lines.

DIMENSIONS

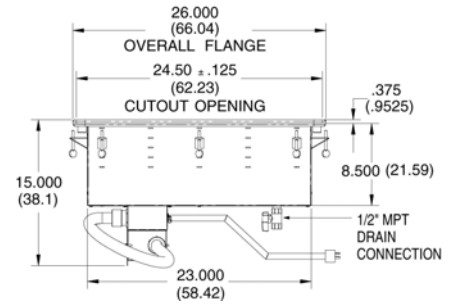
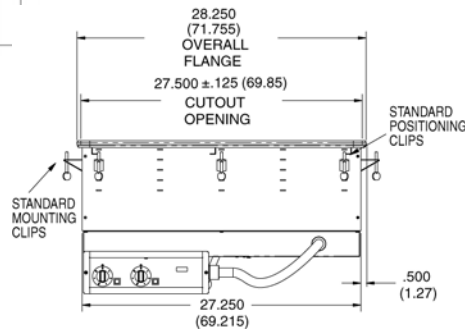
- ❑ Overall Dimension: 28.25" x 26.00" (71.755 cm x 60.04 cm)
- ❑ Cutout Dimensions: 27.50" x 24.50" (69.85 cm x 62.23 cm)
- ❑ Opening cutout must have a 7/8" (2.22 cm) corner radius.



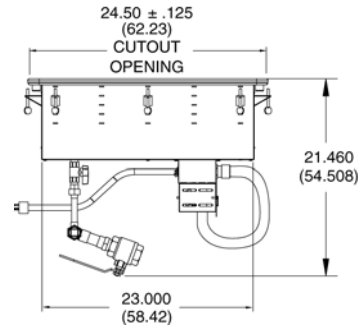
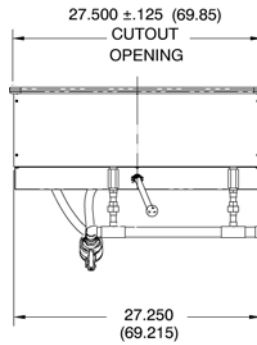
Control Panel Cutout +.063/-0 (+.160/-0) Tolerance



Standard Drain



Manifold Drain

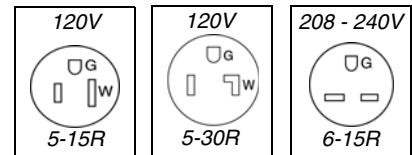


Dimensions shown in inches (centimeters).

ELECTRICAL SPECIFICATIONS

Model	Total Watts	Volts	Nominal Amps	NEMA Plug
36399, 3639950, 3639960, 3639910, 3639970, 3639980	1250	120V AC	10.4	5-15P
3639901, 3639951, 3639961, 3639911, 3639971, 3639981	2000	120V AC	16.7	5-30P
36400, 3640050, 3640060, 3640010, 3640070, 3640080	1250	208V AC	6.0	6-15P
3640001, 3640051, 3640061, 3640011, 3640071, 3640081	1500 - 2000	208 - 240V AC	7.2 - 8.3	6-15P
36472, 3647250, 3647260, 3647210, 3647270, 3647280	1250	240V AC	5.2	6-15P

Receptacles



www.vollrathco.com

The Vollrath Company, L.L.C.
1236 North 18th Street
Sheboygan, WI 53082-0611
U.S.A.
Main Tel: 800.624.2051
Service Tel: 800.628.0832
FAX: 800.752.5620

Vollrath of Canada, Co.
Tel: 800.695.8560
FAX: 800.752.5620