



Outperform every day.™

Project:

Item Number:

Quantity:

Modular Drop-in: Five Well Hot

The Vollrath Company, L.L.C.

MODULAR DROP-IN: FIVE WELL HOT



Modular Drop-In: Five Well Hot

DESCRIPTION

The modular drop-in is designed for top-mount installation and does not require hard-wiring. The drop-in comes complete with a 6-ft. (182.8 cm) power cord with plug and a 4-ft. (121.9 cm) control cord for remote installation.

Full-perimeter drip-edge contains spills and condensation within the stainless steel countertop area of the drop-in. Drip-edge adds additional strength to the flange area.

Drop-in can operate wet or dry, however, moist operation is recommended for even heating of the food product. It meets NSF4 performance standards when using moist heat.

High-density glass-fiber insulation allows zero-clearance installation and use of 625W elements for lower energy consumption and reduced costs. Also available with 1000W elements.

Stainless steel wells are 6 $\frac{3}{8}$ " (16.2 cm) deep to allow use of full-size and fractional pans up to 6" (15.2 cm) deep while still providing moist heat. Adaptor bars are recommended when using fractional pans.

WARRANTY: All models shown come with Vollrath's standard warranty against defects in materials and workmanship. For full warranty details, please refer to the Vollrath Equipment and Smallwares Catalog.

Agency Listings



Due to continued product improvement, please consult www.vollrath.com for current product specifications.

MODELS	1000W Per Well	625W Per Well	Drain	Auto-Fill
208V Infinite Control		36408	Standard	-
		3640850	Manifold	-
		3640860	Manifold	Yes
208V Thermostatic Control		3640810	Standard	-
		3640870	Manifold	-
		3640880	Manifold	Yes
208-240V Infinite Control	3640801		Standard	-
	3640851		Manifold	-
	3640861		Manifold	Yes
208-240V Thermostatic Control	3640811		Standard	-
	3640871		Manifold	-
	3640881		Manifold	Yes
240V Infinite Control		36475	Standard	-
		3647550	Manifold	-
		3647560	Manifold	Yes
240V Thermostatic Control		3647510	Standard	-
		3647570	Manifold	-
		3647580	Manifold	Yes

FEATURES

- Top is 18-gauge stainless steel, with $\frac{3}{8}$ " (9.5 mm) overhang on all sides and die-stamped with full-perimeter drip-edge.
- Breaker gasket included for installation under drip-edge.
- Flat work surface around opening.
- Deep drawn well is 20-gauge stainless steel, 6 $\frac{3}{8}$ " (16.2 cm) deep.
- Standard 1000W or 625W heating element.
- Infinite or thermostatic control.
- Power indicator light.
- Standard drain is $\frac{1}{2}$ " (1.3 cm) stainless steel fitting welded to pan with ball valve shutoff below exterior housing.
- Manifold drain option is 1" (2.5 cm) copper tubing and retains individual well shut-off and adds manifold shutoff.
- Unit insulated on sides, between wells, and below element assembly with high-density glass fiber insulation.
- Exterior housing is 20-gauge galvanized steel.
- Drop-in is supplied with stainless steel control panel connected to bottom of unit for shipping.
- Control panel may remain on unit or be remote mounted.
- Control wires contained in flexible rubber cord.
- Unit comes with cord and plug and does not require hard-wiring installation.
- Positioning clips provided to center drop-in within cutout.
- Standard mounting clips adjustable for up to 3" (7.6 cm) thick counters.
- Full one-year parts and labor warranty.
- Sheet pan adapter available. Item No. 19186.

Approvals	Date



Outperform every day.™
www.vollrath.com

The Vollrath Company, L.L.C.
1236 North 18th Street
Sheboygan, WI 53081-3201 U.S.A.
Customer Service: 800.628.0830
Canada Customer Service: 800.695.8560
Main Fax: 800.752.5620 or 920.459.6573

Technical Services: 800.628.0832
Technical Services Fax: 920.459.5462

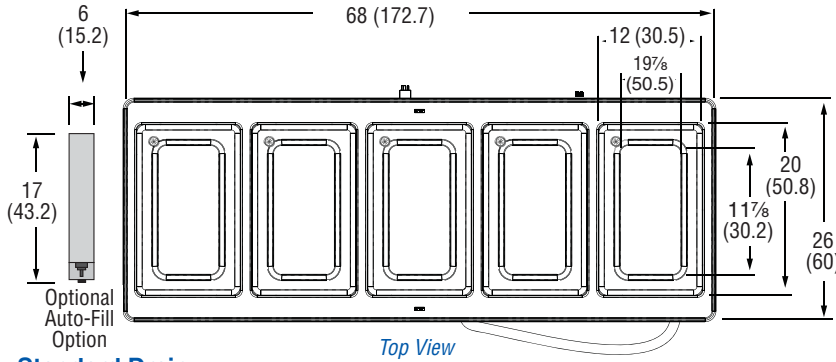
MODULAR DROP-IN: FIVE WELL HOT

AUTO-FILL OPTION

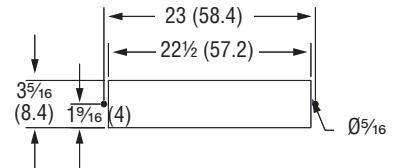
Field-installed option that efficiently maintains a constant water level. Eliminates the need to monitor wells and add water, reducing operating and labor costs. Attaches easily to manifold drain assembly using simple tools. The check valve/siphon prevents cross contamination of drain and potable water lines. NOTE: The auto-fill reservoir is approximately 6 x 17 (15.2 x 43.2) and requires additional space in the cabinet.

DIMENSIONS

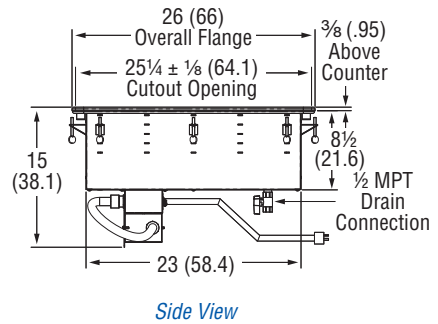
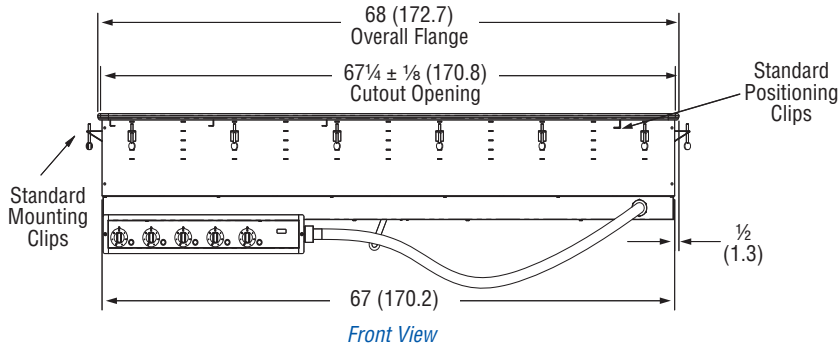
- Opening cutout must have a 7/8" (2.2 cm) corner radius.



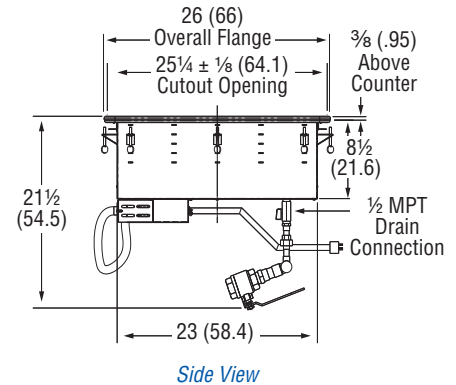
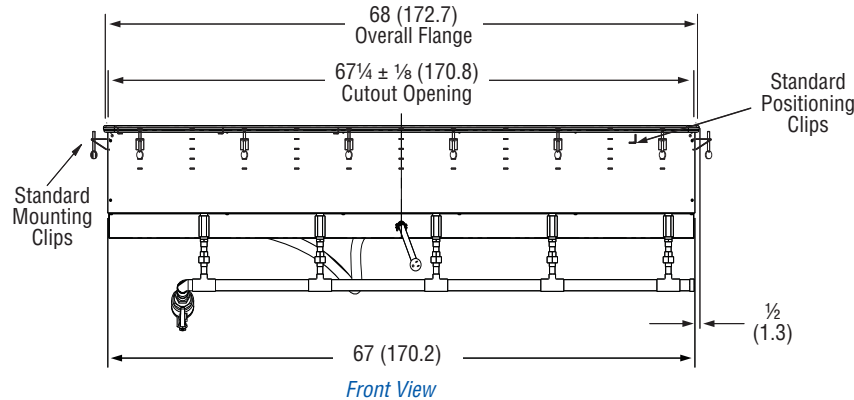
Control Panel Cutout +.063/-0 (+.160/-0) Tolerance



Standard Drain



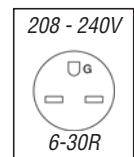
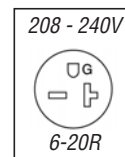
Manifold Drain



ELECTRICAL SPECIFICATIONS

Model	Watts Per Well	Total Watts	Volts	Nominal Amps	NEMA Plug
36408, 3640850, 3640860, 3640810, 3640870, 3640880	625	3125	208V AC	15	6-20P
3640801, 3640851, 3640861, 3640811, 3640871, 3640881	1000	3750 - 5000	208 - 240V AC	18.0 - 20.8	6-30P
36475, 3647550, 3647560, 3647510, 3647570, 3647580	625	3125	240V AC	13.0	6-20P

Receptacles



Outperform every day.™

www.vollrath.com

The Vollrath Company, L.L.C.
1236 North 18th Street
Sheboygan, WI 53081-3201 U.S.A.
Customer Service: 800.628.0830
Canada Customer Service: 800.695.8560
Main Fax: 800.752.5620 or 920.459.6573

Technical Services: 800.628.0832
Technical Services Fax: 920.459.5462