



Project:

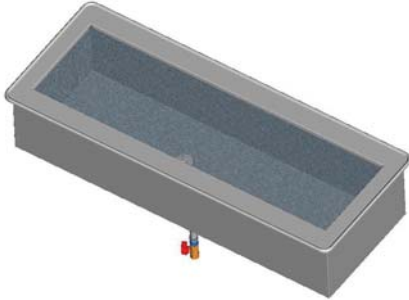
Item Number:

Quantity:

Modular Drop-in: Short Side Non-Refrigerated Cold Pan

The Vollrath Company, L.L.C.

MODULAR DROP-IN: SHORT SIDE NON-REFRIGERATED COLD PAN



Modular Drop-in: Short Side Non-Refrigerated Cold Pan

MODELS: 36654 Two Pan
36657 Three Pan
36660 Four Pan

FEATURES

- Top is 18-gauge stainless steel, 18-8 Type 304, with 3/8" (9.52 mm) overhang on all sides and die stamped with full-perimeter drip edge. Molded breaker gasket fitted under drip edge.
- Flat work surface around opening.
- Seamless well is 18-gauge 18-8 stainless Type 304, 8" (20.32) deep.
- 1" (2.5 cm) integral drain.
- Inner well assembly is insulated with foamed in place polyurethane foam insulation.
- Exterior housing is 18-gauge galvanized steel.
- Positioning clips provided to center drop-in within cutout.
- Full one-year parts and labor warranty.

DESCRIPTION

The short side non-refrigerated cold pans are designed for top-mount installation.

A full-perimeter drip edge contains spills and condensation within the stainless steel countertop area of the drop-in.

High-density polyurethane foam insulation surrounds the exterior of the well to provide better temperature maintenance and hold ice longer.

The 8" (20.32 cm) deep display well provides maximum capacity for ice, essential for optimum presentation and performance. The seamless well is designed for maximum capacity.

1" (2.5 cm) integrated drain is standard.

Agency Certifications



Approvals

Date:



Setting the Standard™

www.vollrathco.com

The Vollrath Company, L.L.C.
1236 North 18th Street
Sheboygan, WI 53081-3201
U.S.A.
Main Tel: 800.628-0830
Service Tel: 800.628.0832
FAX: 800.752.5620

Vollrath of Canada, Co.
Tel: 800.695.8560
FAX: 800.752.5620

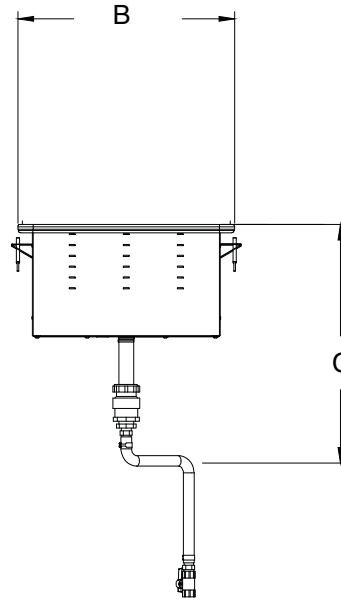
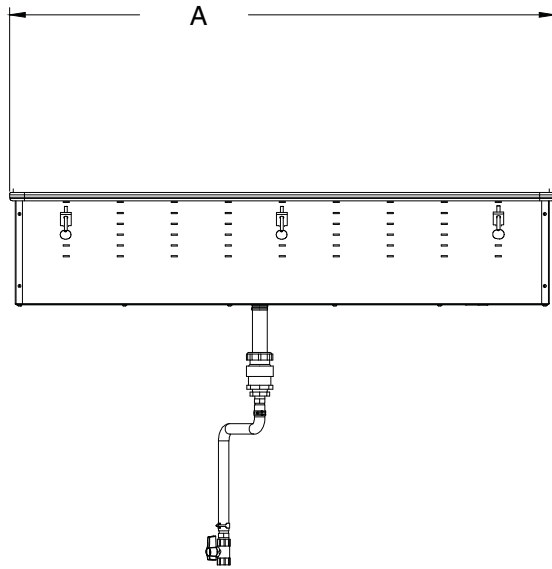
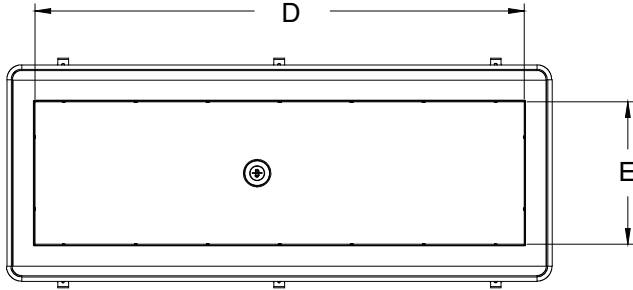
MODULAR DROP-IN: SHORT SIDE NON-REFRIGERATED COLD PAN

MODELS: 36654 Two Pan
 36657 Three Pan
 36660 Four Pan

DIMENSIONS

NOTE: Opening cutout must have a 7/8" (2.22 cm) corner radius.

☐ Dimensions shown in inches (cm).



Item	(A) Length	(B) Width	(C) Height	(D)	(E)	Cutout	
						Length	Width
36654	45.42 (115.37 cm)	18.00 (45.72 cm)	17.95 (45.59 cm)	40.75 (103.51 cm)	12.00 (30.48 cm)	44.75 (113.67 cm)	17.40 (44.20 cm)
36657	66.84 (169.77 cm)	18.00 (45.72 cm)	17.95 (45.59 cm)	61.50 (156.21 cm)	12.00 (30.48 cm)	66.18 (168.10 cm)	17.40 (44.20 cm)
36660	88.27 (224.21 cm)	18.00 (45.72 cm)	17.95 (45.59 cm)	82.25 (208.92 cm)	12.00 (30.48 cm)	87.64 (222.61 cm)	17.40 (44.20 cm)



www.vollrathco.com

The Vollrath Company, L.L.C.
 1236 North 18th Street
 Sheboygan, WI 53081-3201
 U.S.A.
 Main Tel: 800.628-0830
 Service Tel: 800.628.0832
 FAX: 800.752.5620

Vollrath of Canada, Co.
 Tel: 800.695.8560
 FAX: 800.752.5620