



Project:

Item Number:

Quantity:

SERVEWELL® COLD FOOD TABLE



ServeWell® Cold Food Table

DESCRIPTION

We build each ServeWell® unit with heavy-gauge steel, and engineer the body, legs, and base for strength and durability. The complete line of ServeWell® food tables is designed to eliminate the frustrations you have had with traditional food service units.

Vollrath offers the first truly innovative design in value-priced mobile serving equipment.

The insulated cold pan well provides adequate depth for sufficient ice capacity to enable short-term holding of full or fractional pans, insets, crocks and bain maries.

FEATURES

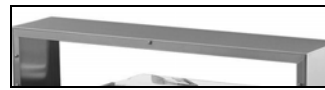
- Stainless steel top, wrapper, uprights, undershelf, and stainless steel ice pan.
- Six-inch deep well insulated with EPS foam material.
- Pitched to a 1" (3 cm) drain and plug.
- Standard stationary legs are 6" (15 cm) high with 1" (3 cm) adjustment.
- Optional non-marking castors are 4" (10 cm) diameter, NSF approved swivel type, two with brakes.

MODELS:

- 38012** 2 Pan Well 24¾" (63 cm), Cold Food Table
- 38013** 3 Pan Well 37½" (95 cm), Cold Food Table
- 38014** 4 Pan Well 50¼" (128 cm), Cold Food Table
- 38015** 5 Pan Well 63" (160 cm), Cold Food Table

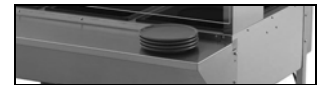
ACCESSORIES

Work/Overshelf



Item	Length/Height
38042	31½" x 13" (80 cm x 33 cm)
38043	46" x 13" (117 cm x 33 cm)
38044	60¾" x 13" (154 cm x 33 cm)
38045	72½" x 13" (192 cm x 13 cm)

Tray Slide



Item	Length/Width
38092	31½" x 10" (80 cm x 25 cm)
38093	46" x 10" (117 cm x 25 cm)
38094	60¾" x 10" (154 cm x 25 cm)
38095	72½" x 10" (192 cm x 25 cm)

Single Deck Cafeteria Guard



Item	Length/Height
38052	31½" x 13" (80 cm x 33 cm)
38053	46" x 13" (117 cm x 33 cm)
38054	60¾" x 13" (154 cm x 33 cm)
38055	72½" x 13" (192 cm x 13 cm)

Caster Set



Item	Description
38099	Caster Kit-two with brakes

Poly Cutting Board



Item	Length
38072	31½" (80 cm)
38073	46" (117 cm)
38074	60¾" (154 cm)
38075	72½" (192 cm)

Agency Certifications



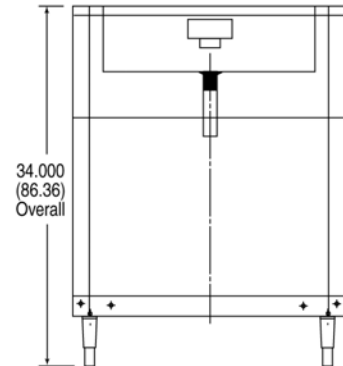
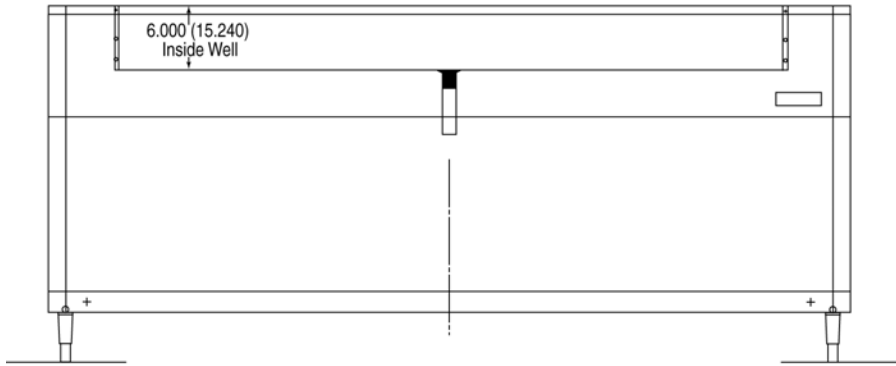
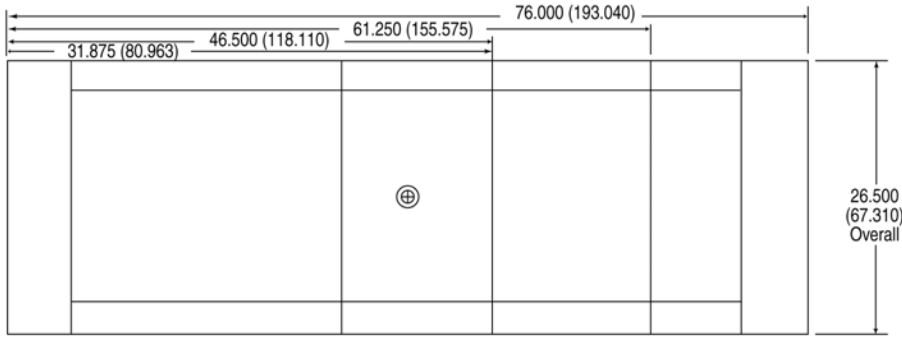
Approvals

Date:

SERVEWELL® COLD FOOD TABLE

DIMENSIONS

- Overall Dimensions:
- Dimensions shown in inches (cm).



www.vollrathco.com

The Vollrath Company, L.L.C. 1236 North 18th Street Sheboygan, WI 53082-0611 U.S.A. Main Tel: 800.624.2051 Service Tel: 800.628.0832 FAX: 800.752.5620	Vollrath of Canada, Ltd. 6320 Danville Road, Unit 1 Mississauga, Ontario L5T 2L7 Canada Tel: 905.565.1167 FAX: 905.565.1168
--	--