



Project:

Item Number:

Quantity:

EQUIPMENT STANDS



Equipment Stand

MODELS

- 40740 Equipment Stand – 24" wide
- 40741 Equipment Stand – 36" wide
- 40742 Equipment Stand – 48" wide

FEATURES

- Stainless steel top for long working life
- 1" (2.54 cm) adjustable feet for optimizing height and stability
- Back and side splashes to contain spills and keep equipment securely on table
- Height adjustable galvanized bottom shelf for convenient working storage

Due to continued product improvement, please consult www.vollrathco.com for current product specifications.

Approvals
Date:



www.vollrathco.com

The Vollrath Company, L.L.C.
 1236 North 18th Street
 Sheboygan, WI 53081-3201 U.S.A.
 Customer Service: 800.628.0830
 Canada Customer Service: 800.695.8560
 Main Fax: 800.752.5620 or 920.459.6573

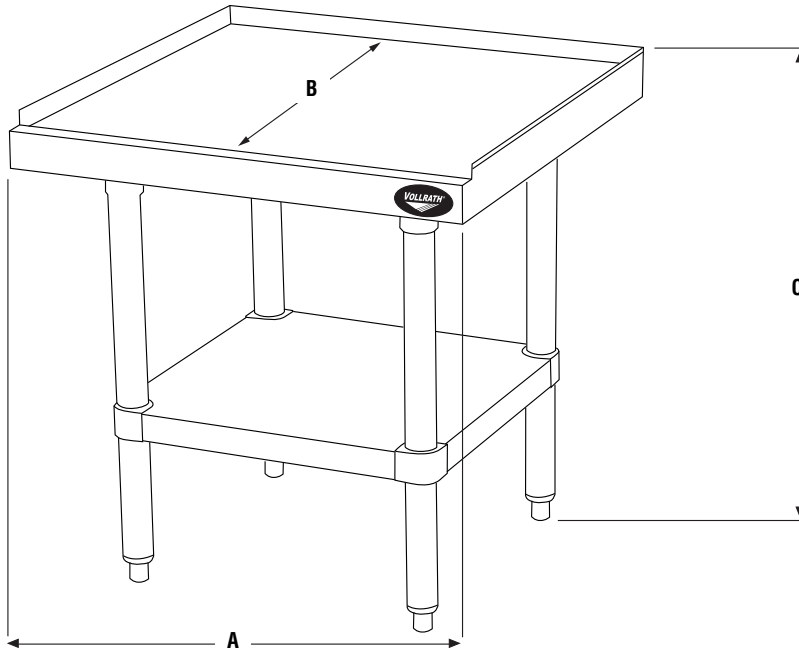
Technical Services: 800.628.0832
 Technical Services Fax: 920.459.6573

EQUIPMENT STANDS

MODELS 40826 Commercial Food Processor

DIMENSIONS

Dimensions shown in inches (cm).



Note: Bottom shelf height is adjustable.

SPECIFICATIONS

Item	Overall Dimensions		
	(A) Width	(B) Length	(C) Height
40740	24 (60.96)	24 (60.96)	26 (66.04)
40741	36 (91.44)	24 (60.96)	26 (66.04)
40742	48 (121.92)	24 (60.96)	26 (66.04)



www.vollrathco.com

The Vollrath Company, L.L.C.
 1236 North 18th Street
 Sheboygan, WI 53081-3201 U.S.A.
 Customer Service: 800.628.0830
 Canada Customer Service: 800.695.8560
 Main Fax: 800.752.5620 or 920.459.6573

Technical Services: 800.628.0832
 Technical Services Fax: 920.459.6573