



Outperform every day.™

**Project:**

**Item Number:**

**Quantity:**

## VACUUM PACK MACHINE WITH DUAL 16" SEALING BARS AND ADVANCED CONTROL SYSTEM

### ITEMS

Item No.	Model No.	Description
40834	VPP16	Vacuum Pack Machine with Dual 16" Seal Bars and Advanced Control System

### FEATURES

- Busch rotary vacuum pump
- Stainless steel exterior
- Deep drawn stainless steel vacuum chamber with round corners
- Transparent, soft-open lid for monitoring functions
- Dual sealing bars accommodate multiple bags up to 16" (40.6 cm) wide
- Double seals for extra secure bags
- Sealing bars easily remove without tools for cleaning and maintenance
- Includes three insert plates for packing small products
- Includes incline plate for packing liquids and fine powders
- Maximum vacuum is 99.8% (2 m bar)
- Set vacuum function by sensor control (% pressure)
- Advanced Control System features password controlled access; 20 programs with Liquid Control, Soft-Air, Vacuum Plus, Tenderize and label printing functions; and HACCP compliant logging.
- Liquid Control detects the boiling point, stops the vacuum and advances to the next step to reduce cycle time, produce a better quality product and save the pump from taking on liquids
- Vacuum Plus enables air trapped within a product to escape
- Soft-Air reduces damage to delicate foods or the bag
- Compatible with Zebra® LP/TLP 2824 Plus™ label printers
- Pump Conditioning program removes moisture and debris from pump
- Two sealing cylinders provide optimal pressure to deliver high-quality seals
- Maintenance reminder
- Included 4" (10.2 cm) legs required for ETL Sanitation
- Includes maintenance kit with oil, lid gasket, silicone bar, Teflon® tape and sealing wire
- 6 ft. (182.9 cm) cord with plug
- 2 year warranty

### IMPORTANT

- Requires 6" (15 cm) clearance on all sides. Requires 12" (30.5 cm) above the machine to allow the lid to open.
- This machine is not designed for continuous use. Intended for maximum use of five hours per day.
- Requires 15 second rest between packing cycles.

**WARRANTY:** All models shown come with Vollrath's standard warranty against defects in materials and workmanship. For full warranty details, please refer to [www.Vollrath.com](http://www.Vollrath.com).



*Vacuum Pack Machine with Dual 16" Sealing Bars and Advanced Control System*

### DESCRIPTION

The Vacuum Pack Machine with Dual 16" Sealing Bars and Advanced Control System.

### Agency Certifications



Due to continued product improvement, please consult [www.vollrathco.com](http://www.vollrathco.com) for current product specifications.

Approvals	Date

Vacuum Pack Machine with Dual 16" Sealing Bars and Advanced Control System The Vollrath Company, L.L.C.



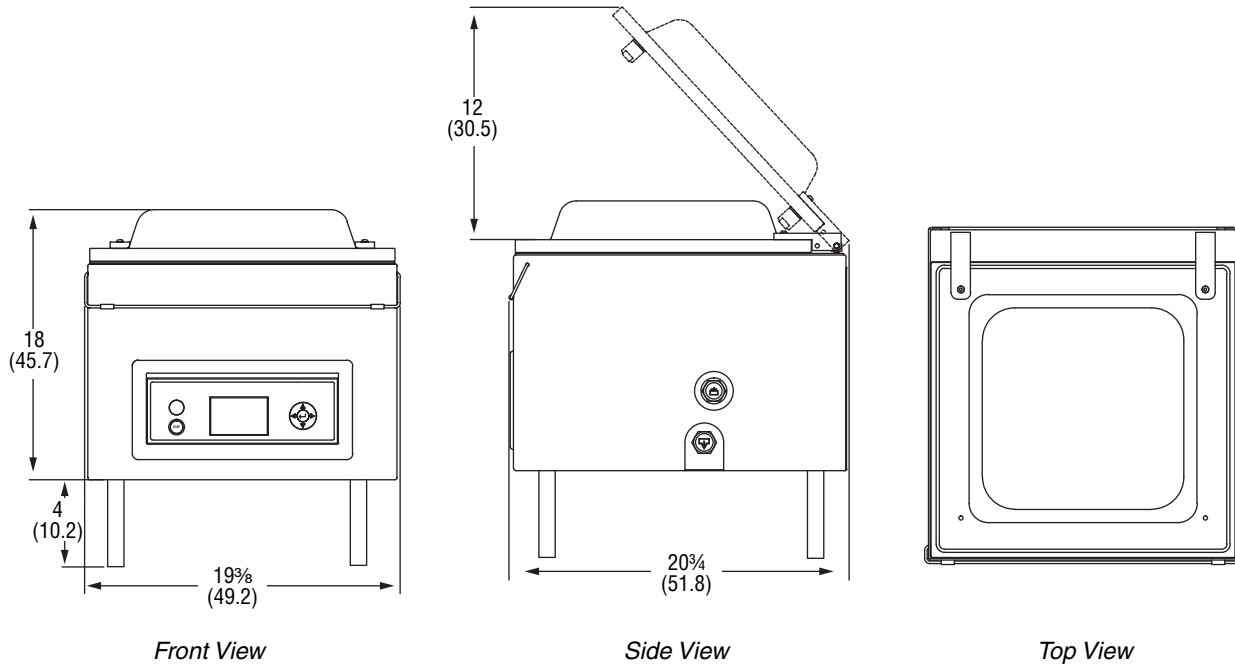
Outperform every day.™  
[www.vollrath.com](http://www.vollrath.com)

The Vollrath Company, L.L.C.  
1236 North 18th Street  
Sheboygan, WI 53081-3201 U.S.A.  
Customer Service: 800.628.0830  
Canada Customer Service: 800.695.8560  
Main Fax: 800.752.5620 or 920.459.6573

Technical Services: 800.628.0832  
Technical Services Fax: 920.459.5462

**VACUUM PACK MACHINE WITH DUAL 16" SEALING BARS AND ADVANCED CONTROL SYSTEM**

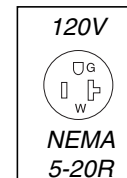
**DIMENSIONS** (Shown in inches (cm))



**SPECIFICATIONS**

Item No.	Dimensions IN (CM)		Volts	Amps	Hz	Pump Capacity GPM (m3/hr)	HP	Plug	Weight LB (KG)
	Chamber (W x D x H)	Maximum Product Height							
40834	16 <sup>13/16</sup> x 16 <sup>1/2</sup> x 5 (42.7 x 41.9 x 12.7)	7 <sup>1/2</sup> (19.1)	120	13	60	92 (25)	1.3	NEMA 5-20P	136.7 (62)

**Receptacle**



Outperform every day.™

[www.vollrath.com](http://www.vollrath.com)

The Vollrath Company, L.L.C.  
 1236 North 18th Street  
 Sheboygan, WI 53081-3201 U.S.A.  
 Customer Service: 800.628.0830  
 Canada Customer Service: 800.695.8560  
 Main Fax: 800.752.5620 or 920.459.6573

Technical Services: 800.628.0832  
 Technical Services Fax: 920.459.5462