



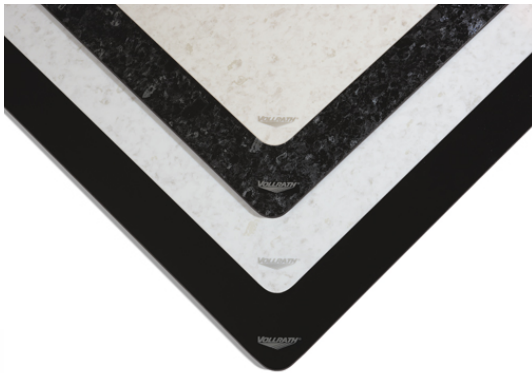
Outperform every day.™

Project:

Item Number:

Quantity:

INDUCTION UNDERCOUNTER WARMING KIT



Induction Undercounter Warming Kit

DESCRIPTION

Create beautiful serving stations with Vollrath's Induction Undercounter Warming Kits. The kits include Vollrath's Induction Drop-in Mirage® Warmer (item 5950145) and a ceramic template available in four colors. Kits are available in two sizes, with one or two induction warmers.

Templates install flush with countertops with the warmer mounted below. The kits are ideally suited for use in Vollrath V-Class, Milestone® or Signature Server® 2.0 serving equipment.

The induction warmer is equipped with a variety of safety features including:

- Over-heat protection
- Small-article detection
- Pan auto-detection function
- Empty-pan shut-off

Agency Listings



This device complies with Part 18 FCC Rules.

Due to continued product improvement, please consult www.vollrath.com for current product specifications.

MODELS

- 5960820 Black Ceramic Template with 1 Warmer
- 5960845 Black Granite Ceramic Template with 1 Warmer
- 5960835 Bisque Granite Ceramic Template with 1 Warmer
- 5960810 White Granite Ceramic Template with 1 Warmer
- 5960920 Black Ceramic Template with 2 Warmers
- 5960945 Black Granite Ceramic Template with 2 Warmers
- 5960935 Bisque Granite Ceramic Template with 2 Warmers
- 5960910 White Granite Ceramic Template with 2 Warmers

INDUCTION WARMER FEATURES

- G4 engine for long life
- Simple 1-5 power level adjustments
- 90% efficiency rating
- Unit comes complete with a 6-ft. (183 cm) cord and plug and does not require hard wiring
- Remote control cord is 59 inches (1.5 meters)
- Full one-year parts and labor warranty

TEMPLATE FEATURES

- 5/32" (4mm) thick ceramic works with induction-ready cookware
- Only the area directly under the cookware heats. Heat is not transferred to the rest of the template or adjacent surfaces.
- Black Ceramic template closely matches: Corian® Nonturque, Wilsonart® Black 1595-60, Zodiac® Mystic Black
- Black Granite template closely matches: Corian® Night Sky, Wilsonart® Luna Night 1854K-35, Zodiac® Galaxy Black, Zodiac® Licorice
- Bisque Granite template closely matches: Corian® Witch Hazel, Wilsonart® Fresco 4207-60, Zodiac® Crema Marfil
- White Granite template closely matches: Corian® Antartica, Wilsonart® Grey Pampas 4168-60, Zodiac® Cloud White

IMPORTANT

- This appliance is intended for use with induction-ready cookware.
- All models require unrestricted intake and exhaust air ventilation for proper operation of the controls. The maximum intake temperature must not exceed 110°F (43°C). Temperatures are measured in ambient air while all appliances in the kitchen are in operation.
- Drop-in models require a minimum clearance of 3 inches (7.6 cm) at the rear and 1 inch (2.5 cm) at the bottom.

WARRANTY: All models shown come with Vollrath's standard warranty against defects in materials and workmanship. For full warranty details, please refer to the Vollrath Equipment and Smallwares Catalog.

Approvals	Date



Outperform every day.™
www.vollrath.com

The Vollrath Company, L.L.C.
1236 North 18th Street
Sheboygan, WI 53081-3201 U.S.A.
Customer Service: 800.628.0830
Canada Customer Service: 800.695.8560
Main Fax: 800.752.5620 or 920.459.6573

Technical Services: 800.628.0832
Technical Services Fax: 920.459.5462

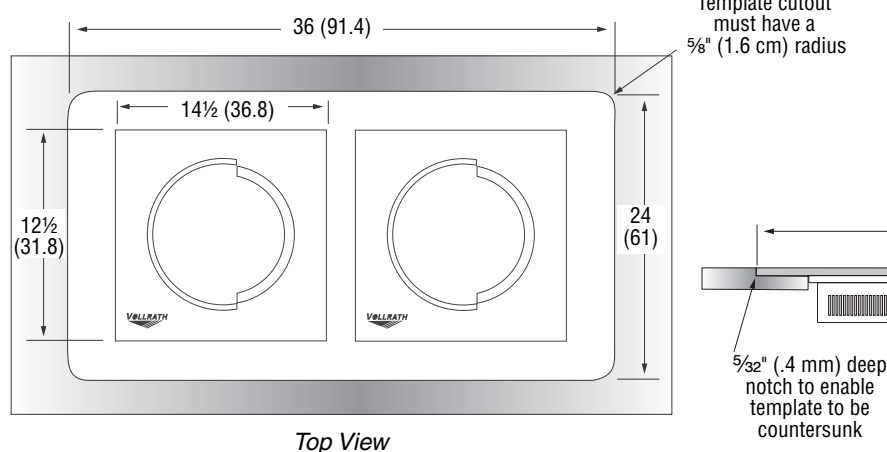
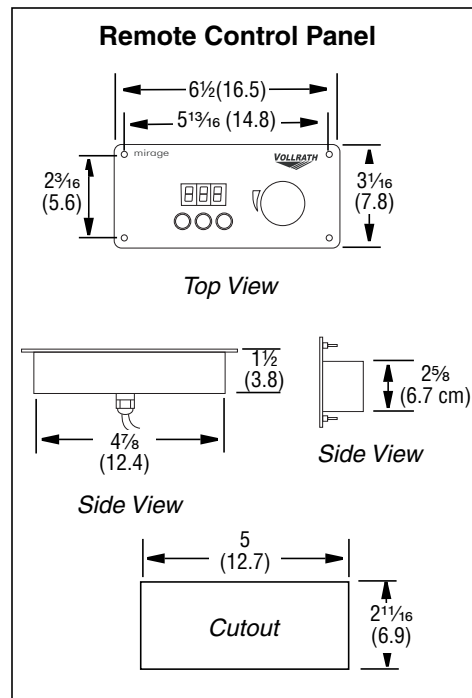
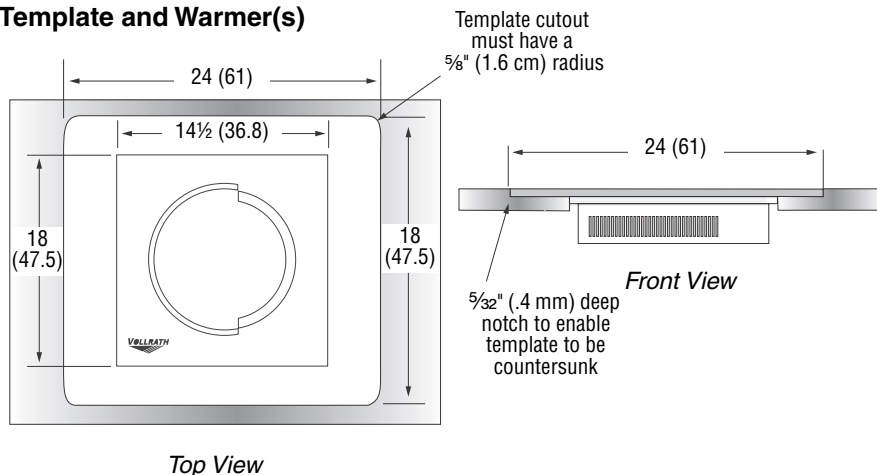
INDUCTION UNDERCOUNTER WARMING KIT

MODELS

5960820	Black Ceramic Template with 1 Warmer	5960920	Black Ceramic Template with 2 Warmers
5960845	Black Granite Ceramic Template with 1 Warmer	5960945	Black Granite Ceramic Template with 2 Warmers
5960835	Bisque Granite Ceramic Template with 1 Warmer	5960935	Bisque Granite Ceramic Template with 2 Warmers
5960810	White Granite Ceramic Template with 1 Warmer	5960910	White Granite Ceramic Template with 2 Warmers

DIMENSIONS (shown in inches (cm))

Template and Warmer(s)

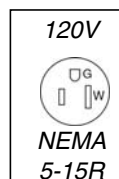


SPECIFICATIONS

Warmer	Cutout (D x W)	Max Pan Size	Volts	Nominal Amps	Plug
5950145	14 ⁹ / ₁₆ x 12 ⁹ / ₁₆ (37 x 31.9)	14 (35.6)	120V AC	3.8	NEMA 5-15P

Kit	Cutout (D x W)	Number of Zones	Number of Warmers	Kit	Cutout (D x W)	Number of Zones	Number of Warmers
5960820	18 ¹ / ₈ x 24 ¹ / ₈ (46 x 61.3)	1	1	5960920	24 ¹ / ₈ x 36 ¹ / ₈ (61.3 x 91.8)	2	2
5960845	18 ¹ / ₈ x 24 ¹ / ₈ (46 x 61.3)	1	1	5960945	24 ¹ / ₈ x 36 ¹ / ₈ (61.3 x 91.8)	2	2
5960835	18 ¹ / ₈ x 24 ¹ / ₈ (46 x 61.3)	1	1	5960935	24 ¹ / ₈ x 36 ¹ / ₈ (61.3 x 91.8)	2	2
5960810	18 ¹ / ₈ x 24 ¹ / ₈ (46 x 61.3)	1	1	5960910	24 ¹ / ₈ x 36 ¹ / ₈ (61.3 x 91.8)	2	2

Receptacle



Outperform every day.™

www.vollrath.com

The Vollrath Company, L.L.C.
 1236 North 18th Street
 Sheboygan, WI 53081-3201 U.S.A.
 Customer Service: 800.628.0830
 Canada Customer Service: 800.695.8560
 Main Fax: 800.752.5620 or 920.459.6573

Technical Services: 800.628.0832
 Technical Services Fax: 920.459.5462