

Carts & Kiosks - Condiment Cart

Contact Your Vollrath
Sales Representative
for Custom Carts
& Kiosks!

Carts & Kiosks—Condiment Cart



Item 75670

Standard Feature (Not Shown)

- Open storage (front)

Optional Feature (Not Shown)

- 15 AMP electrical service

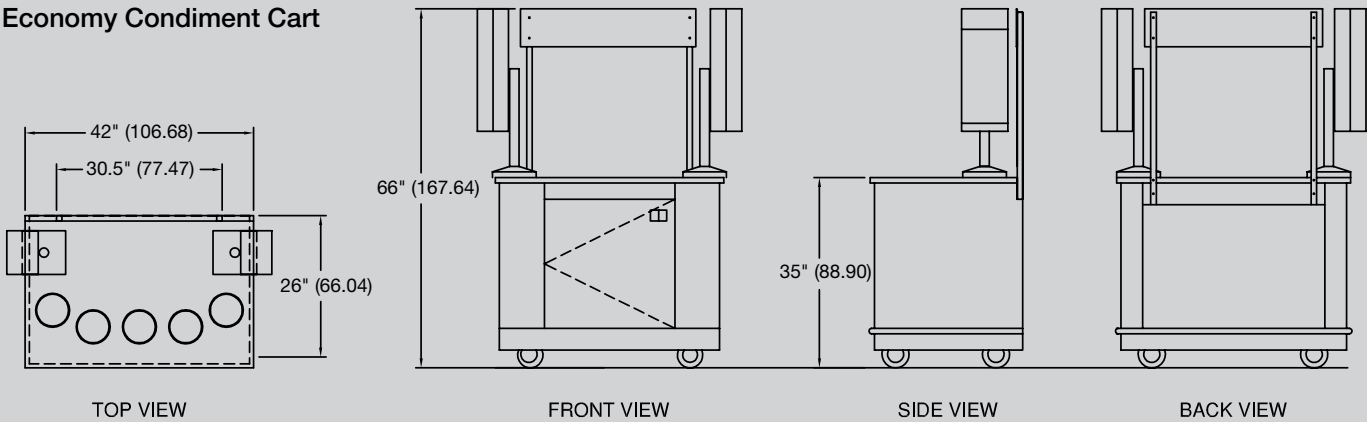


Setting
the Standard™

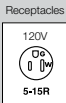
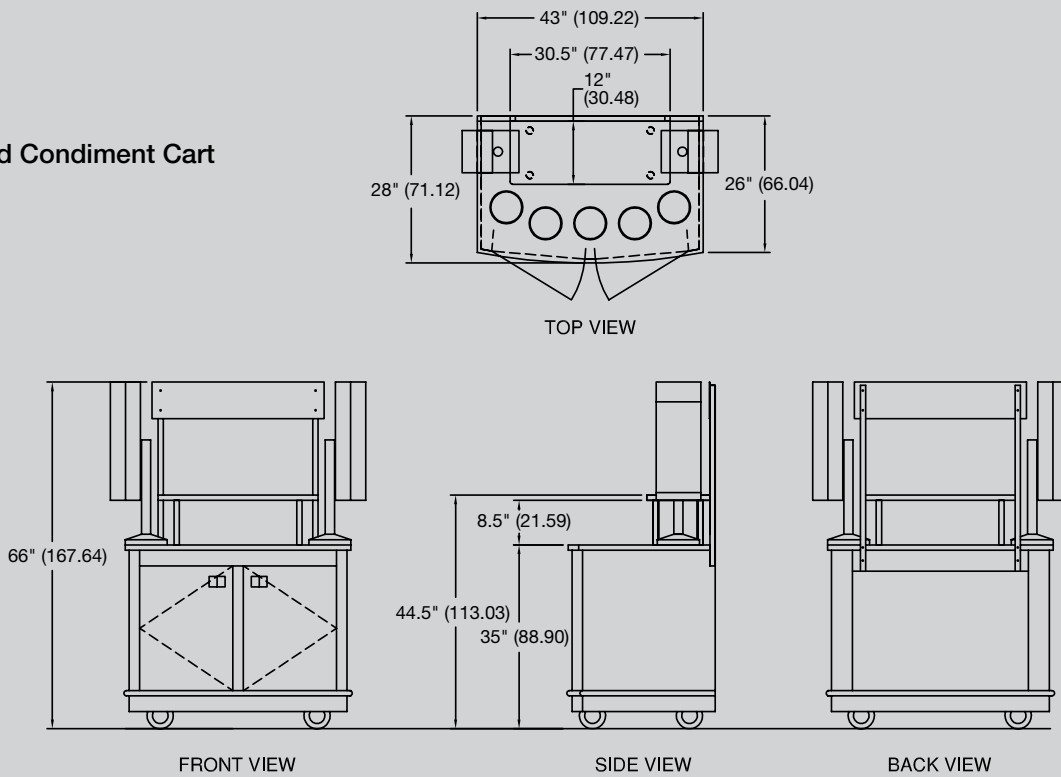
Carts & Kiosks - Condiment Cart

Condiment Cart — Dimensions shown in IN (CM)

Economy Condiment Cart



Standard Condiment Cart



The Vollrath Company, L.L.C.
1236 North 18th Street
Sheboygan, WI 53081-3201 USA
Customer Service: 800.628.0830
Equipment Service: 800.628.0832
Main PH: 920.457.4851
Fax: 920.459.6573
Form L35702 Rev 4/09



Setting
the Standard™