

Carts & Kiosks - Cashier/Merchandising Station

Contact Your Vollrath
Sales Representative
for Custom Carts
& Kiosks!

Carts & Kiosks—Cashier/Merchandising Station

Item 75679 shown with modular options

Standard: Open recessed area for merchandising on customer front

Option: Merchandise area melamine shelving (qty 2)

Standard: All aluminum composite material construction
-Standard black or silver (specify)
-Matching toe kick

Standard: Heavy-duty casters

Standard: Polyform counter

Option: Fold-down polyform tray/plate rests (specify location)

Option: 1" (2.5cm) bumper (all sides)

Option: Base color option
-laminated (one color) on 3 sides
-painted base (one color) on 3 sides
-digital graphics (artwork supplied by customer) on 3 sides
-base color option - digital graphics (artwork supplied by customer) front only



Option: Heavy duty paddle latch locking drawer

Option: Heavy duty paddle latch door (qty. 1)

Back view - Item 75679 shown with modular options

Standard: Open storage (server side)



Item 75679

Optional Features (Not Shown)

- Adjustable undercounter shelving (black plastic)
- 15 AMP electrical service (NEMA 5-15)
- 20 AMP electrical service (NEMA 5-20)
- 30 AMP electrical service (NEMA #L14-30P)
- Countertop grommet holes

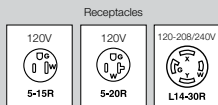
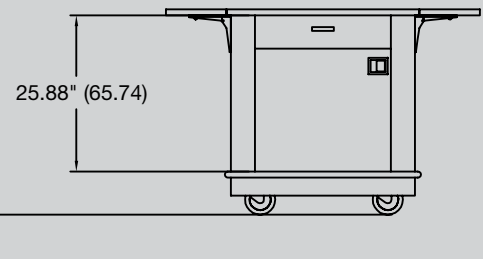
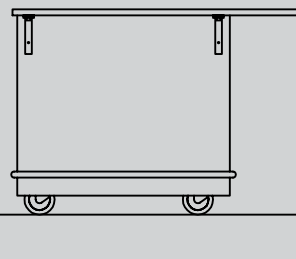
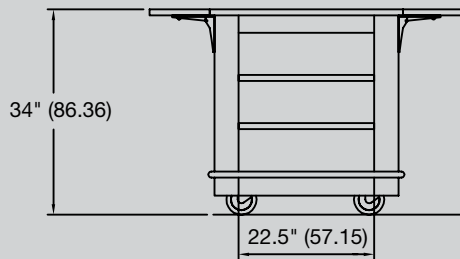
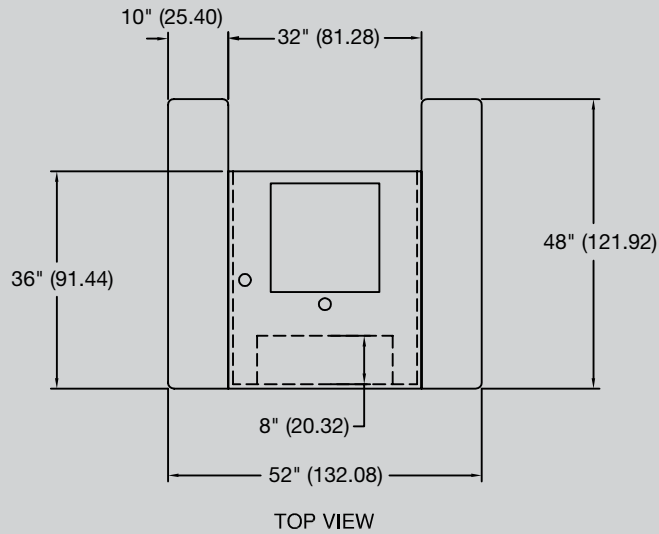


Setting
the Standard™

Carts & Kiosks - Cashier/Merchandising Station

Cashier/Merchandising Station — Dimensions shown in IN (CM)

Standard Cashier Station



The Vollrath Company, L.L.C.
 1236 North 18th Street
 Sheboygan, WI 53081-3201 USA
 Customer Service: 800.628.0830
 Equipment Service: 800.628.0832
 Main PH: 920.457.4851
 Fax: 920.459.6573
 Form L35704 Rev 4/09



Setting
the Standard™