

# Carts & Kiosks - Coffee Carts

Contact Your Vollrath Sales Representative for Custom Carts & Kiosks!

Carts & Kiosks—Coffee Carts

**Option:** Track lighting for canopies (Requires at least 120V 15 AMP service)

- 15 amp 120V electrical service (NEMA 5-15P)
- 20 amp 120V electrical service (NEMA 5-20P)
- 30 amp electrical service (NEMA #L14-30P)
- 60 amp electrical service (plug #460P-12W)
- 100 amp electrical service (plug#4100P-12W)

**Option:** Signage for ACM wrap-style and tubular canopy. Vinyl graphics on ACM (artwork provided by customer)



Item 75681 — 8' Coffee Cart shown with modular options

**Option:** ACM wrap-style canopy with two adjustable poles (color matching base)

**Standard:** Polyform or laminate countertop (laminates color must be specified)

**Option:** 1" (2.5cm) bumper (all sides)

**Standard:** All aluminum composite material construction  
 -Standard black or silver (specify)  
 -Matching toe kick

**Standard:** Heavy-duty casters

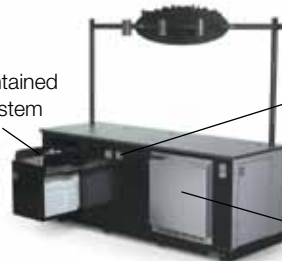
**Option:** Base color option  
 -laminates (one color) on 3 sides  
 -painted base (one color) on 3 sides  
 -digital graphics (artwork supplied by customer) on 3 sides  
 -digital graphics (artwork supplied by customer) front only

**Option:** Aluminum tubular canopy (bulkhead) with two adjustable poles (powder coated - color specified)



Item 75681 — 8' Coffee Cart shown with modular options

**Option:** Self-contained pull-out water system (single bay sink)



Back view - Item 75681 — 8' Coffee Cart shown with optional water system and refrigeration

**Option:** Heavy duty paddle latch doors (qty. 2 for 6', qty. 5 for 8', qty. 6 for 10')

**Option:** Undercounter refrigeration

**Option:** Countertop grommet holes



Item 75681 — 8' Coffee Cart

**Standard Feature** (Not Shown)

- Open storage (server side)

**Optional Features** (Not Shown)

- Adjustable undercounter shelving
- Umbrella

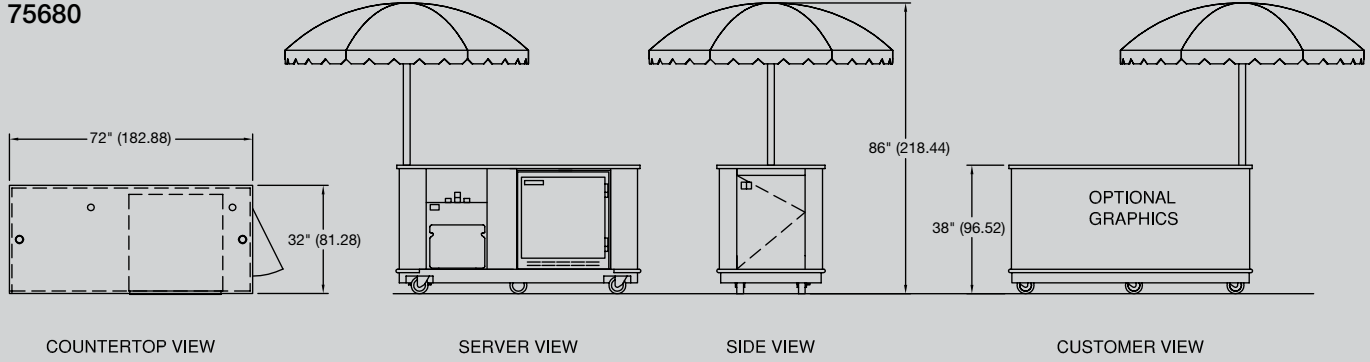


Setting the Standard™

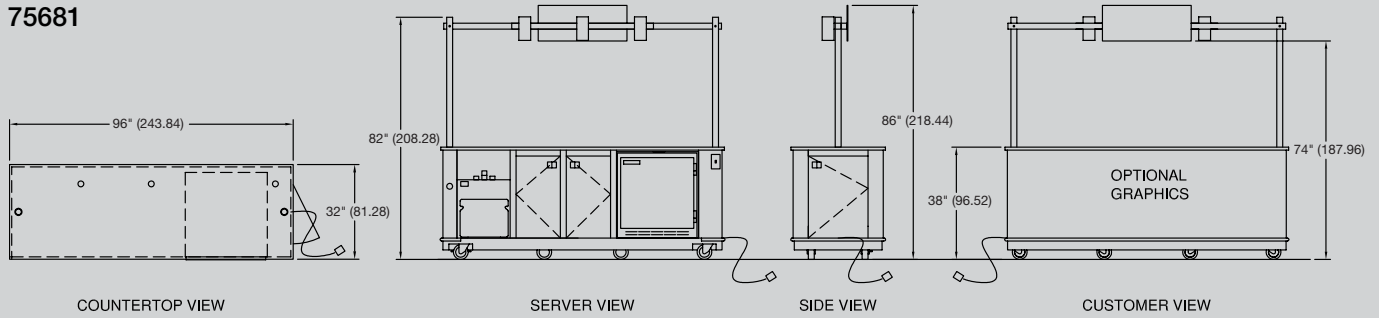
# Carts & Kiosks - Coffee Carts

Coffee Carts — Dimensions shown in IN (CM)

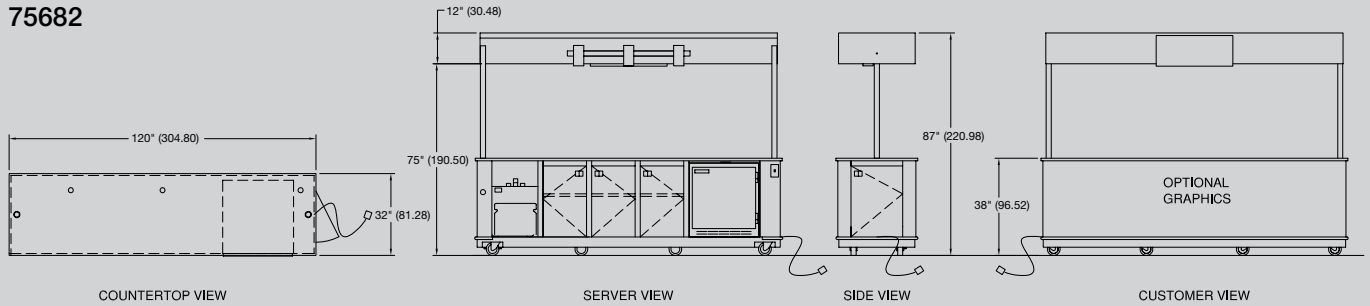
75680



75681



75682



Receptacles



The Vollrath Company, L.L.C.  
1236 North 18th Street  
Sheboygan, WI 53081-3201 USA  
Customer Service: 800.628.0830  
Equipment Service: 800.628.0832  
Main PH: 920.457.4851  
Fax: 920.459.6573  
Form L35701 Rev 4/09



Setting  
the Standard™