



Outperform every day.™

Project:

Item Number:

Quantity:

SIGNATURE SERVER® RECTANGULAR BASES WITH LAMINATE OR CORIAN® COUNTERS



Signature Server® Rectangular Bases with Laminate or Corian® Counters

ITEMS

- 97030 3 Well Hot Base
- 97040 4 Well Hot Base
- 97050 5 Well Hot Base
- 97060 6 Well Hot Base
- 97047 3 Well Hot Bain Marie Base
- 97057 4 Well Hot Bain Marie Base
- 97067 5 Well Hot Bain Marie Base
- 97077 6 Well Hot Bain Marie Base
- 97046 3 Pan NSF7 Cold Base
- 97066 4 Pan NSF7 Cold Base
- 97076 5 Pan NSF7 Cold Base
- 97086 6 Pan NSF7 Cold Base
- 97043 3 Pan Standard Refrigerated Base
- 97061 4 Pan Standard Refrigerated Base
- 97070 5 Pan Standard Refrigerated Base
- 97080 6 Pan Standard Refrigerated Base
- 97045 3 Pan Non-Refrigerated Base
- 97065 4 Pan Non-Refrigerated Base
- 97075 5 Pan Non-Refrigerated Base
- 97084 6 Pan Non-Refrigerated Base
- 97220 32" Utility Base
- 97221 48" Utility Base
- 97222 62" Utility Base
- 97223 76" Utility Base
- 97025 48" Beverage Base
- 97026 62" Beverage Base
- 97027 76" Beverage Base
- 97212 48" Frost Top Base
- 97013 62" Frost Top Base
- 97014 76" Frost Top Base
- 97216 90" Frost Top Base
- 97085 Corner Station
- 97215 Cashier Station

DESCRIPTION

Vollrath's Signature Server® bases are easy to design, specify, and order. Choose from laminate and solid surface counters to create your own style or match any décor. Select our highest quality drop-ins and breath guards to complete your line-up, along with accessories such as signage, menu board, plate rests, and tray slides.

FEATURES

- Bases constructed from 400 series stainless steel
- Base finishes include laminates, brushed stainless steel, or printed graphics on vinyl
- Standard 34" (86.4 cm) height complies with ADA guidelines
- Dial controls
- Stainless steel corner trim
- 8 ft. (2.4 m) power cord
- Heavy-duty 4" (10.2 cm) swivel locking casters

OPTIONS

- Hundreds of countertop colors in laminate or solid surface material
 - Tray slides or plate rests for easy customer access
 - Dozens of breath guard styles
 - End shelf, cutting boards, storage modules, bag in box, false bottoms and stationary legs
 - Lights and Cayenne® Heat Strips
 - 120V, 208V, 240V, 120/240V, 120/208V
- See Breath Guard and Accessories spec sheets on vollrath.com for selection information.**

Agency Certification



WARRANTY: All models shown come with Vollrath's standard warranty against defects in materials and workmanship. For full warranty details, please refer to www.Vollrath.com.

Due to continued product improvement, please consult www.vollrath.com for current product specifications.

Approvals	Date



Outperform every day.™
www.vollrath.com

The Vollrath Company, L.L.C.
1236 North 18th Street
Sheboygan, WI 53081-3201 U.S.A.
Customer Service: 800.628.0830
Canada Customer Service: 800.695.8560
Main Fax: 800.752.5620 or 920.459.6573

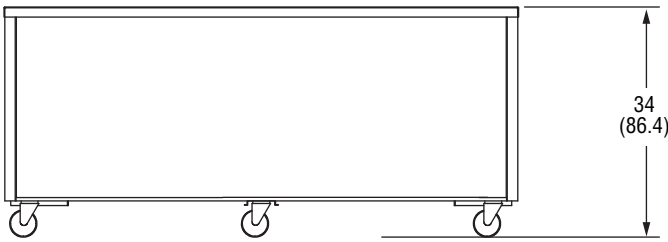
Technical Services: 800.628.0832
Technical Services Fax: 920.459.5462

Signature Server® Rectangular Bases with Laminate or Corian® Counters The Vollrath Company, L.L.C.

SIGNATURE SERVER® RECTANGULAR BASES WITH LAMINATE OR CORIAN® COUNTERS

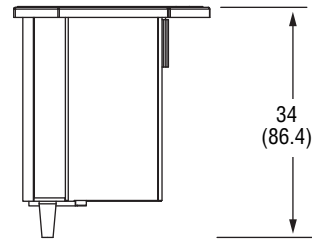
DIMENSIONS (Shown in inches (cm))

Rectangular Base



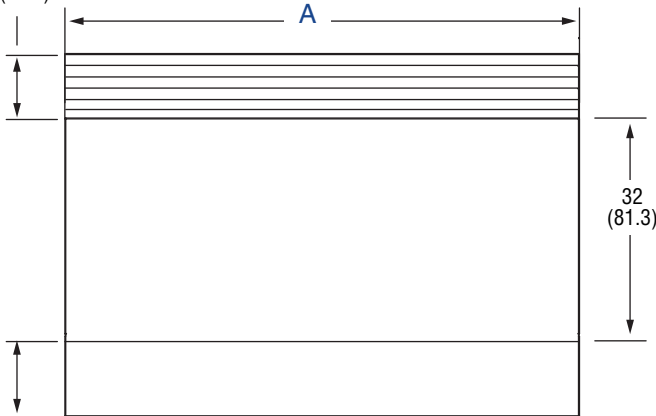
Front View

Corner Station



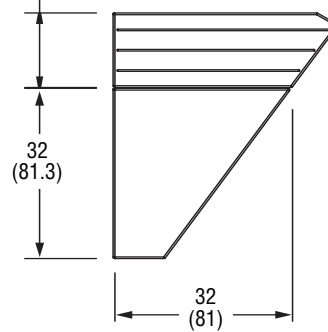
Front View

Optional Tray Slide 12 (30.5)



Top View

Optional Tray Slide 12 (30.5)

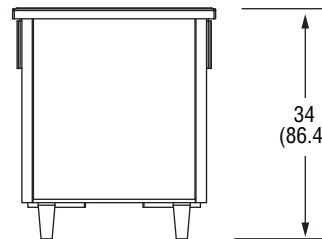


Top View

Optional Plate Rest 8 (20.3)

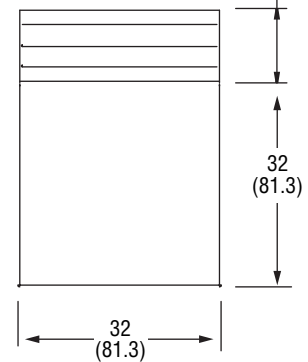
Bases	(A) Base Length
3 Well/Pan Base	48 (122)
4 Well/Pan Base	62 (157)
5 Well/Pan Base	76 (193)
6 Well/Pan Base	90 (229)
32" Utility Base/Cashier Station	32 (81)
48" Utility/Beverage/Frost Top Base	48 (122)
62" Utility/Beverage/Frost Top Base	62 (157)
76" Utility/Beverage/Frost Top Base	76 (193)
90" Utility/Beverage/Frost Top Base	90 (229)

Cashier Station/Utility Base



Front View

Optional Tray Slide 12 (30.5)



Top View

For breath guard and accessory dimensions, see the breath guard and accessory spec sheets on vollrath.com

NOTE: Standard construction Utility, Beverage and Corner Station bases with stainless steel countertops have a maximum load capacity of 250 LB (113.4 KG). Contact Vollrath for construction options to support heavier loads.



Outperform every day.™

www.vollrath.com

The Vollrath Company, L.L.C.
 1236 North 18th Street
 Sheboygan, WI 53081-3201 U.S.A.
 Customer Service: 800.628.0830
 Canada Customer Service: 800.695.8560
 Main Fax: 800.752.5620 or 920.459.6573

Technical Services: 800.628.0832
 Technical Services Fax: 920.459.5462