



Project:

Item Number:

Quantity:

CONTEMPORARY STYLE BREATH GUARDS



Double-Sided Buffet – Standard



Single-Sided Buffet with Top Shelf – Standard



Sided Buffet – Standard



Cafeteria with Top Shelf – Standard

DESCRIPTION

Contemporary breath guards are both light weight for easy installation and strong for long-term use. These breath guards can be used with Signature Server 2.0, Signature Server Classic, Milestone and drop-ins. These are available in Standard as well as NSF certified models.

FEATURES

- 1" (2.5 cm) stainless steel tubular construction is sleek, durable, easy to clean and enhances the food presentation
- 3/8" (9.5 mm) tempered glass with polished ends protect food
- NSF rated models feature extended glass side panels and 1/4" (6.4 mm) acrylic end panels
- Available in brushed stainless steel, brass or black
- Mounts to stainless steel, solid surface and laminate countertops

WARRANTY: All models shown come with Vollrath's standard warranty against defects in materials and workmanship. For full warranty details, please refer to the Vollrath Equipment and Smallwares Catalog.

BUILD A MODEL NUMBER

Step 1* Select Base Item					Step 2 Select Color		Optional Step 3 Select Accessories	
Length	Standard		NSF		Suffix	Color	Not available for Single-Sided Buffet style.	
	Signature Server® Classic	Signature Server® 2.0, Milestone™, Drop-ins	Signature Server® Classic	Signature Server® 2.0, Milestone™, Drop-ins			Suffix	Length
Double Sided Buffet								
2-Well/Pan	98663	CB98663	N98663	NCB98663	99	Stainless Steel	Not Available for 2-Well/Pan	
3-Well/Pan	98637	CB98637	N98637	NCB98637			45	3-Well/Pan
4-Well/Pan	98638	CB98638	N98638	NCB98638	10	Brass	14	4-Well/Pan
5-Well/Pan	98639	CB98639	N98639	NCB98639			46	5-Well/Pan
6-Well/Pan	98640	CB98640	N98640	NCB98640			51	6-Well/Pan
Single Sided Buffet with Top Shelf								
2-Well/Pan	98662	CB98662	N98662	NCB98662	30	Black 80% Gloss	Incandescent Lights	
3-Well/Pan	98651	CB98651	N98651	NCB98651			N/A	
4-Well/Pan	98652	CB98652	N98652	NCB98652			Cayenne® Heat Strips	
5-Well/Pan	98653	CB98653	N98653	NCB98653			52	2-Well/Pan
6-Well/Pan	98654	CB98654	N98654	NCB98654			53	3-Well/Pan
							54	4-Well/Pan
Single Sided Buffet								
2-Well/Pan	98661	CB98661	N98661	NCB98661			55	5-Well/Pan
3-Well/Pan	98633	CB98633	N98633	NCB98633			56	6-Well/Pan
4-Well/Pan	98634	CB98634	N98634	NCB98634			Cayenne® Heat Strips w/ Lights	
5-Well/Pan	98635	CB98635	N98635	NCB98635			57	2-Well/Pan
6-Well/Pan	98636	CB98636	N98636	NCB98636			58	3-Well/Pan
Cafeteria with Top Shelf								
2-Well/Pan	98660	CB98660	N98660	NCB98660			59	4-Well/Pan
3-Well/Pan	98650	CB98650	N98650	NCB98650			90	5-Well/Pan
4-Well/Pan	98626	CB98626	N98626	NCB98626			91	6-Well/Pan
5-Well/Pan	98627	CB98627	N98627	NCB98627				
6-Well/Pan	98628	CB98628	N98628	NCB98628				

* When ordering breath guards for Signature Server® Classic units, 14 gauge countertops must be specified, will be supplied by Vollrath and added to the cost of the base. Please see the Vollrath Food Service Illustrated List Prices book.

Due to continued product improvement, please consult www.vollrathco.com for current product specifications.

Approvals	Date



Setting the Standard™

www.vollrathco.com

The Vollrath Company, L.L.C.
 1236 North 18th Street
 Sheboygan, WI 53081-3201 U.S.A.
 Customer Service: 800.628.0830
 Canada Customer Service: 800.695.8560
 Main Fax: 800.752.5620 or 920.459.6573

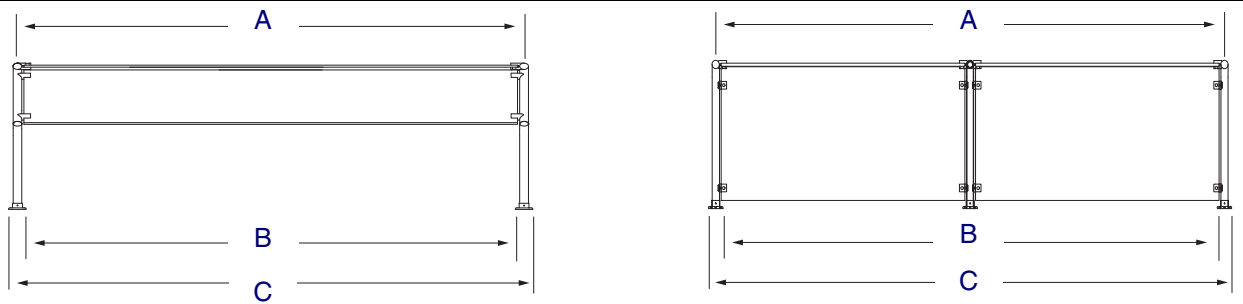
Technical Services: 800.628.0832
 Technical Services Fax: 920.459.5462

CONTEMPORARY STYLE BREATH GUARDS

DIMENSIONS

Dimensions shown in inches (cm).

Front View

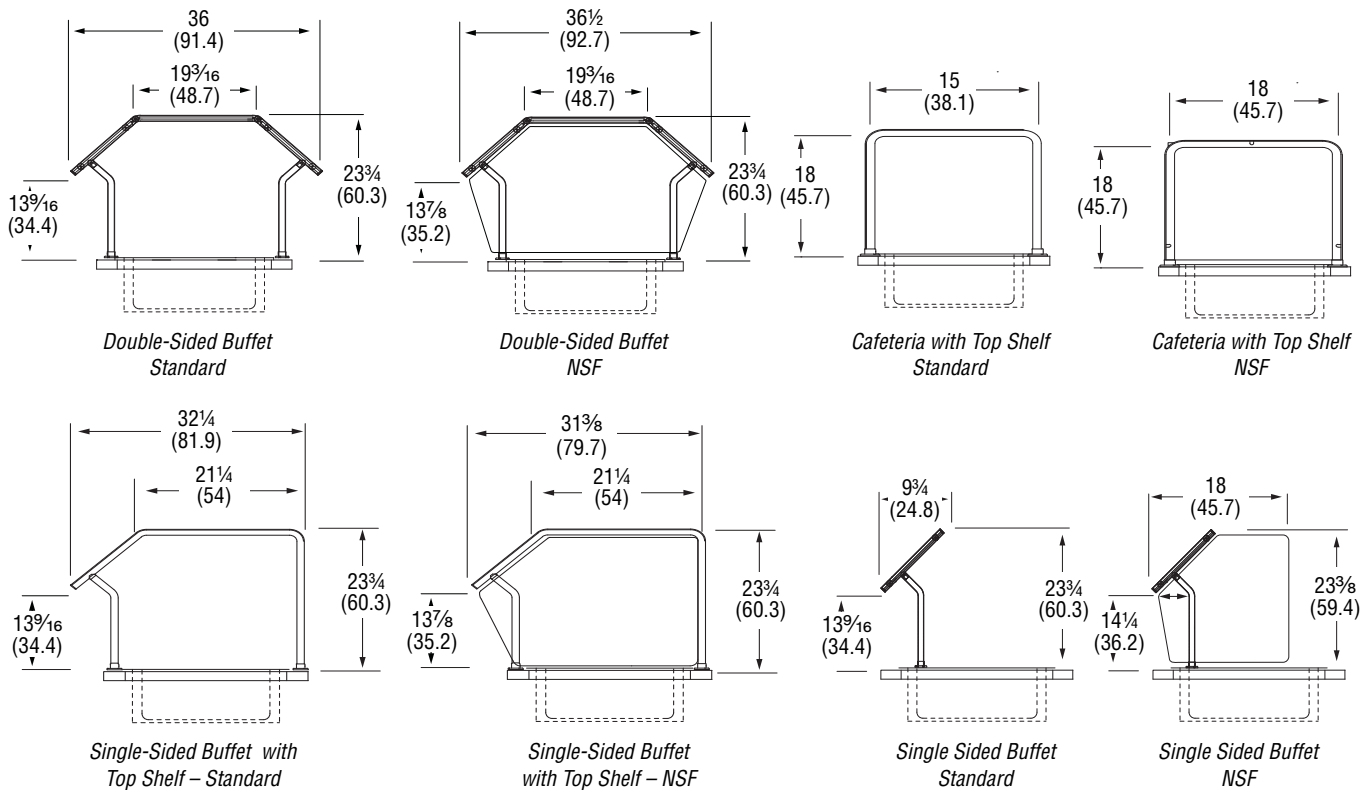


Double Sided Buffet, Single Sided Buffet with Top Shelf and Single Sided Buffet

Single Sided Cafeteria with Top Shelf

Style	(A) Centerline to Centerline	(B) Inside of Flange to Inside of Flange	(C) Outside of Flange to Outside of Flange
Two-Well/Pan	25 (63.5)	23 (58.4)	27 (68.6)
Three-Well/Pan	43 (109.2)	41 (104.1)	45 (114.3)
Four-Well/Pan	57 (144.8)	55 (139.7)	59 (149.9)
Five-Well/Pan	71 (180.3)	69 (175.3)	73 (185.4)
Six-Well/Pan	85 (215.9)	83 (210.8)	87 (221)

Side View



www.vollrathco.com

The Vollrath Company, L.L.C.
 1236 North 18th Street
 Sheboygan, WI 53081-3201 U.S.A.
 Customer Service: 800.628.0830
 Canada Customer Service: 800.695.8560
 Main Fax: 800.752.5620 or 920.459.6573

Technical Services: 800.628.0832
 Technical Services Fax: 920.459.5462