



Outperform every day.™

Project:
Item Number:
Quantity:

STOELTING® MINI SOFT SERVE COUNTERTOP FREEZER



Stoelting® Mini Soft Serve Countertop Freezer

DESCRIPTION

The Vollrath Stoelting® Mini Soft Serve Countertop Freezer makes it easy to add soft serve frozen deserts to any menu. The easy to use machine is ideally suited for small restaurants, delis, bakeries, food trucks and convenience stores.

ITEMS

Item No.	Model No.	Description
CBB116-37	CBB116	Stoelting® Mini Soft Serve Countertop Freezer

FEATURES

- Freezes and serve commercial soft serve or non-dairy mixes, including: ice milk, ice cream, yogurt, and frozen dietary desserts
- Total Cold refrigeration system keeps product at constant temperature
- Seal-less drive shaft design eliminates preventive maintenance and mandatory seal replacements
- Drive shaft location at top of vertical auger is always above the product
- Horizontal and vertical auger design delivers a consistent, quality and creamy product for every serving
- Horizontal auger continually draws product across and scrapes the freezer plate to eliminate product build-up and waste
- Adjustable auger speed
- Automatic or manual Night Mode
- Lockable keypad
- Servings counter
- Small footprint, lightweight machine is portable
- Works with dry or liquid soft serve mixes
- Easy disassembly for cleaning
- 5 ft. (1.5 m) cord with plug

CLEARANCE AND ENVIRONMENT REQUIREMENTS

- Clearance: 10" (25.4 cm) on the sides
- Ambient temperature: up to 85° F (29.4° C)
- Indoor use only

Agency Listings



WARRANTY: All models shown come with Vollrath's standard warranty against defects in materials and workmanship. For full warranty details, please refer to www.Vollrath.com.

Approvals	Date

Due to continued product improvement, please consult www.vollrath.com for current product specifications.



Outperform every day.™

www.vollrath.com

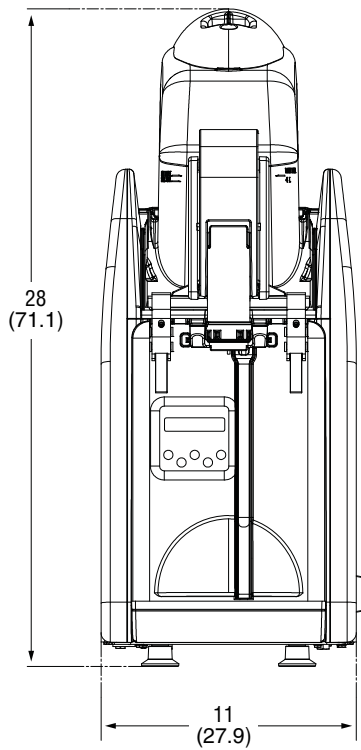
The Vollrath Company, L.L.C.

1236 North 18th Street
Sheboygan, WI 53081-3201 U.S.A.
Main Tel: 800.624.2051 or 920.457.4851
Main Fax: 800.752.5620 or 920.459.6573
Customer Service: 800.628.0830
Canada Customer Service: 800.695.8560

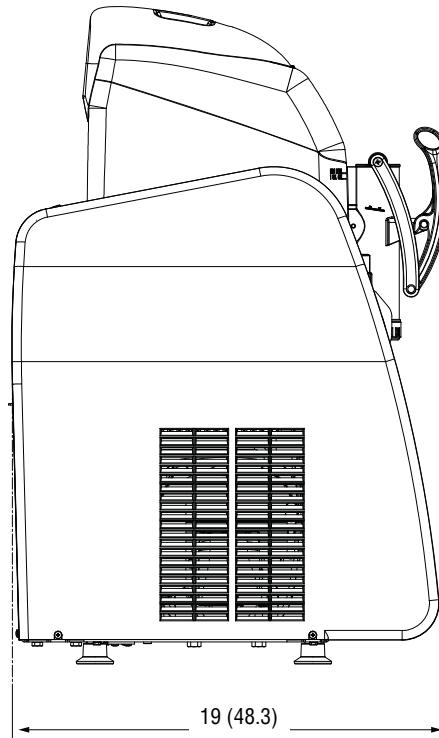
Technical Services
techservicereps@vollrathco.com
Induction Products: 800.825.6036
Countertop Warming Products: 800.354.1970
All Other Products: 800.628.0832

STOELTING® MINI SOFT SERVE COUNTERTOP FREEZER

DIMENSIONS (Shown in inches (cm))



Front View

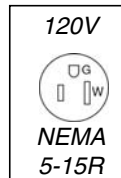


Side View

SPECIFICATIONS

Item No.	Mix Capacity Gal. (L)	Finished Product Capacity Gal. (L)	Voltage	Amps	Hertz	Compressor HP	Weight Lbs (Kg)	Plug
CBB116-37	1 (3.8)	Up to 1.5 (5.7)	115	10	60	1/3	65 (29.4)	NEMA 5-15P

Receptacle



Outperform every day.™

www.vollrath.com

The Vollrath Company, L.L.C.

1236 North 18th Street
 Sheboygan, WI 53081-3201 U.S.A.
 Main Tel: 800.624.2051 or 920.457.4851
 Main Fax: 800.752.5620 or 920.459.6573
 Customer Service: 800.628.0830
 Canada Customer Service: 800.695.8560

Technical Services
techservicereps@vollrathco.com
 Induction Products: 800.825.6036
 Countertop Warming Products: 800.354.1970
 All Other Products: 800.628.0832