



Project:

Item Number:

Quantity:

**AFFORDABLE PORTABLE™ REFRIGERATED COLD FOOD STATIONS**



Affordable Portable™ Refrigerated Cold Food Station

Affordable Portable™ Refrigerated Cold Food Stations

The Vollrath Company, L.L.C.

**DESCRIPTION & FEATURES**

- Vollrath Affordable Portable™ refrigerated cold stations are constructed of vinyl-clad, 20-gauge carbon steel.
- Foamed-in-place polyurethane foam insulation.
- 1 (2.54 cm) drain makes clean-up easy.
- Fully enclosed clear acrylic breath guards with 12" (30.5 cm) clearance. NSF2 Certified.
- The refrigerated cold stations are available in four versatile colors: granite, walnut woodgrain, black and cherry woodgrain.
- 18 gauge 300 series stainless steel work surfaces.
- 8 ft. power cord
- Locking casters included.
- **Affordable Portable™ orders cannot be canceled or returned.**

**Lighting (requires Buffet breath guard, bulbs not included)**

- Factory-installed option
- 120V

**MODELS**

Description	Black	Walnut Woodgrain	Granite	Cherry Woodgrain
<b>3 Pan (46") Cold Food Station Base – 120V</b>				
Solid base	R38713	R38950	R38733	R38773
Solid w/lights	R3871346	R3895046	R3873346	R3877346
Open Storage	R38714	R38951	R38734	R38774
Open w/lights	R3871446	R3895146	R3873446	R3877446
Storage w/door	R38715	R38952	R38735	R38775
Storage w/door, w/lights	R3871546	R3895246	R3873546	R3877546
Cafeteria unit <sup>①</sup>	R39713	R39950	R39733	R39773
Cafeteria unit w/open storage <sup>①</sup>	R39714	R39951	R39734	R39774
Cafeteria unit w/storage door <sup>①</sup>	R39715	R39952	R39735	R39775
<b>4 Pan (60") Cold Food Station Base – 120V</b>				
Solid base	R38716	R38960	R38736	R38776
Solid w/lights	R3871660	R3896060	R3873660	R3877660
Open Storage	R38717	R38961	R38737	R38777
Open w/lights	R3871760	R3896160	R3873760	R3877760
Storage w/door	R38718	R38962	R38738	R38778
Storage w/door, w/lights	R3871860	R3896260	R3873860	R3877860
Cafeteria unit <sup>①</sup>	R39716	R39959	R39736	R39776
Cafeteria unit w/open storage <sup>①</sup>	R39717	R39961	R39737	R39777
Cafeteria unit w/storage door <sup>①</sup>	R39718	R39962	R39738	R39778

① Includes Cafeteria breath guard with acrylic panel.

**ELECTRICAL SPECIFICATIONS**

Incandescent lamps only (40W maximum per fixture)

Description	HP	Volts	Hz	Amps	Electrical Service Amps	Plug
3 Pan	1/5	120	60	3.8	15	5-15P
4 Pan	1/4			5.2		5-15P
3 Pan with Lights	1/5			4.4		5-15P
4 Pan with Lights	1/4			6		5-15P

120V

5-15R

**WARRANTY:** All models shown come with Vollrath's standard warranty against defects in materials and workmanship. For full warranty details, please refer to the Vollrath Equipment and Smallwares Catalog.

**AGENCY CERTIFICATIONS**



Due to continued product improvement, please consult [www.vollrathco.com](http://www.vollrathco.com) for current product specifications.

Approvals	Date



Setting the Standard™

[www.vollrathco.com](http://www.vollrathco.com)

The Vollrath Company, L.L.C.  
 1236 North 18th Street  
 Sheboygan, WI 53081-3201 U.S.A.  
 Customer Service: 800.628.0830  
 Canada Customer Service: 800.695.8560  
 Main Fax: 800.752.5620 or 920.459.6573

Technical Services: 800.628.0832  
 Technical Services Fax: 920.459.6573

# AFFORDABLE PORTABLE™ REFRIGERATED COLD FOOD STATIONS

## ACCESSORIES AND ADD-ONS

### Cashier Station

- Stable stainless steel work surface
- Wide enough for almost any register or terminal
- Open base and bottom shelf for extra storage
- Cash drawer not available
- Unit depth: 24" (61 cm)



Description	Dimensions (LxH)	Black	Walnut Woodgrain	Granite	Cherry Woodgrain
	Inches (CM)				
Cashier Station	24 x 35 (60.9 x 89)	38700	38905	38720	38760

### Plate Rests

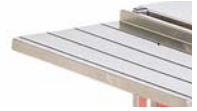
- Stainless steel
- Designed for Affordable Portable™ only
- Non-folding plate rests are easily removed to allow serving units to be transported through doorways.
- Surface width: 7" (17.8 cm)



Item	Description	Case Lot
NF38992	24" (61 cm) plate rest with mounting kit	1
NF38993	46" (117 cm) plate rest with mounting kit	1
NF38994	60" (152 cm) plate rest with mounting kit	1

### Tray Slides

- 300 series stainless steel
- Non-folding tray slides are easily removed to allow serving units to be transported through doorways.
- Overall width: 11½" (29.2 cm)
- Tray surface: 11" (27.9 cm)



Item	Description	Case Lot
NF39924	Fits 24" (61 cm) Affordable Portable™	1
NF39946	Fits 46" (117 cm) Affordable Portable™	1
NF39960	Fits 60" (152 cm) Affordable Portable™	1

### Cutting Boards

- Polyethylene
- Non-folding cutting boards are easily removed to allow serving units to be transported through doorways.
- Surface width: 7" (17.8 cm)



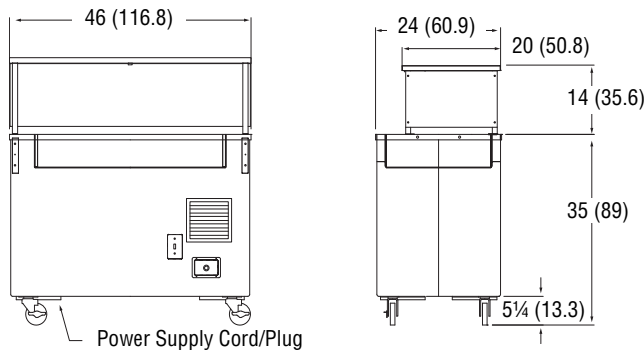
Item	Description	Case Lot
NF39824	Fits 24" (61 cm) Affordable Portable™	1
NF39846	Fits 46" (117 cm) Affordable Portable™	1
NF39860	Fits 60" (152 cm) Affordable Portable™	1

## STORAGE OPENING DIMENSIONS

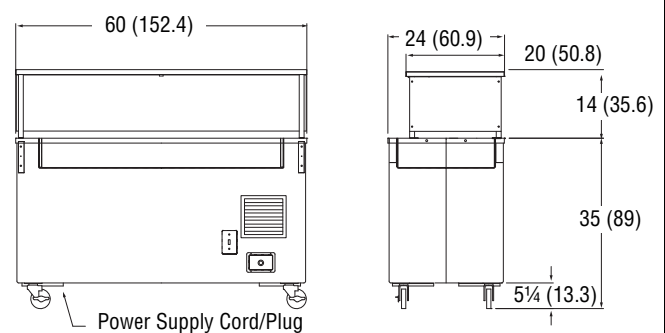
Description	Dimensions (L x W x H): IN (CM)
60" Unit	50 x 23 x 16½ (127 x 58 x 42)
46" Unit	36 x 23 x 16½ (91.5 x 58 x 42)

## DIMENSIONS

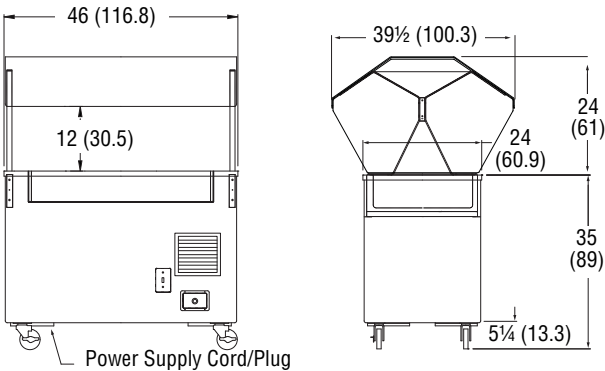
### 3 Pan Refrigerated Cold Station with Cafeteria Breath Guard



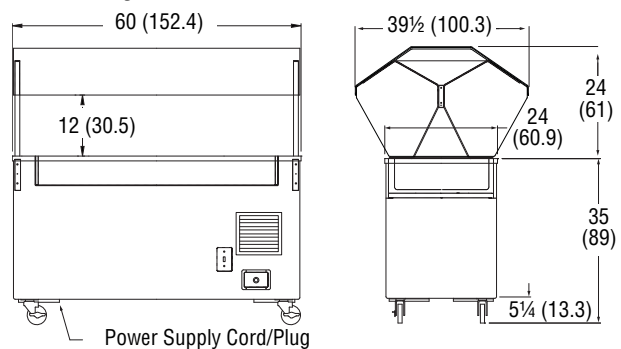
### 4 Pan Refrigerated Cold Station with Cafeteria Breath Guard



### 3 Pan Refrigerated Cold Station with Buffet Breath Guard



### 4 Pan Refrigerated Cold Station with Buffet Breath Guard



The Vollrath Company, L.L.C.  
 1236 North 18th Street  
 Sheboygan, WI 53081-3201 U.S.A.  
 Customer Service: 800.628.0830  
 Canada Customer Service: 800.695.8560  
 Main Fax: 800.752.5620 or 920.459.6573

Technical Services: 800.628.0832  
 Technical Services Fax: 920.459.6573