

## ACCESSORIES

### MSA AND 900RX HEAVY DUTY GAS GRIDDLES



**GRIDDLE PLATE RAIL**

- CUTTING BOARD
- CONDIMENT RAIL
- PLATE RAIL
- TOWEL BAR
- LEG OPTIONS
- BANKING STRIP
- GROOVED GRIDDLE SCRAPER
- KNOB GUARDS

#### STANDARD FEATURES

- Stainless steel construction.
- Welded and smooth blended edges.
- Line matched to VACB charbroiler and VHP hotplate accessories.
- Cutting board accessory features stainless steel frame with removable board inserts. Inserts are 1" thick X 7" wide, Sani-TUFF® rubber NSF listed boards.
- Condiment rails will accommodate up to the following amounts of 1/6 size containers:
  - 24" model – 3
  - 36" model – 4
  - 48" model – 6
  - 60" model – 8
  - 72" model – 9
- Plate rails feature a full 10<sup>5</sup>/<sub>8</sub>" deep stainless steel shelf.
- Towel bar accessory offers convenient location to hang towels and acts as a "belly bar" to prevent operator contact with a hot griddle.
- Adjustable bullet foot legs available in 6", 8", 10" and 12" lengths.
- Adjustable flange foot legs available in 4" and 6" lengths.
- Banking strip connects like side splashes together.
- Grooved griddle scraper has heavy duty handle and scraping head that matches grooved plate contour of MSA and 900RX series griddles.
- Knob guards protect thermostat knobs from accidental damage.(one for each thermostat)
- One year limited parts and labor warranty.



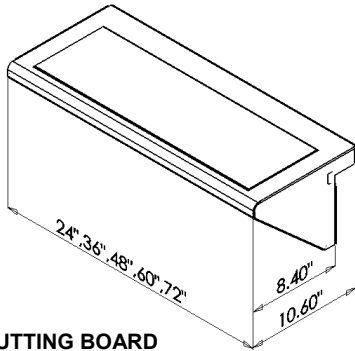
**GRIDDLE CUTTING BOARD    CHARBROILER CONDIMENT RAIL    HOTPLATE PLATE RAIL**

#### OPTIONS

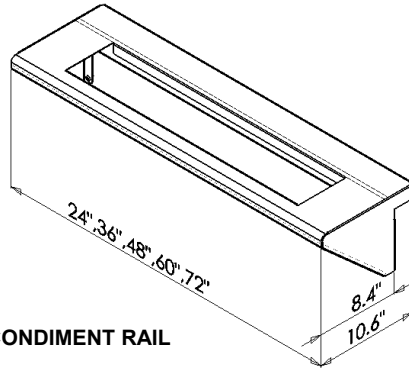
- Product variations available. See your sales representative for product variance requests.

**SPECIFY GRIDDLE SIZE WHEN ORDERING.**

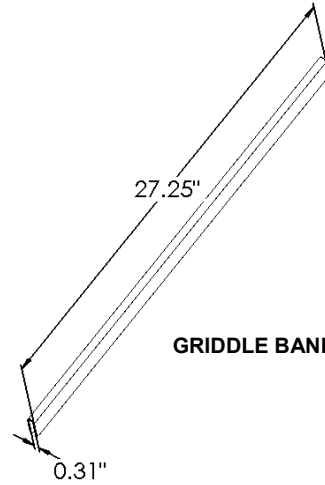
## ACCESSORIES MSA AND 900RX HEAVY DUTY GAS GRIDDLES



CUTTING BOARD



CONDIMENT RAIL



GRIDDLE BANKING STRIP

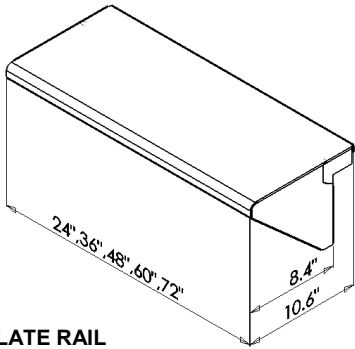
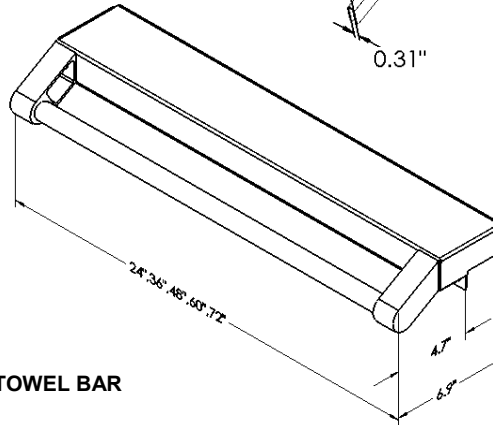
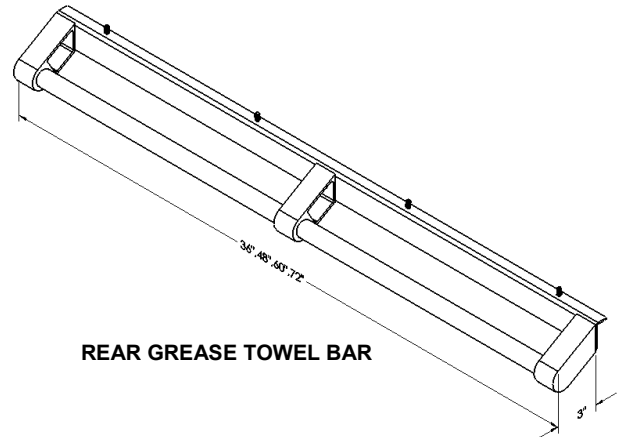


PLATE RAIL



TOWEL BAR

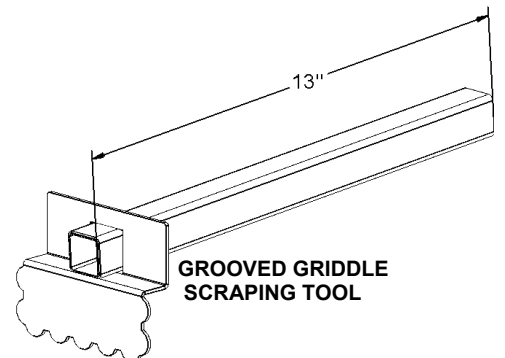


REAR GREASE TOWEL BAR

SIZE	ACCESSORY CODES				
	CUTTING BOARD	CONDIMENT RAIL	PLATE RAIL	TOWEL BAR	REAR GREASE TOWEL BAR
24	CUTBD-24	CONRAIL-24	PLTRAIL-24	TOWELBR-24	N/A
36	CUTBD-36	CONRAIL-36	PLTRAIL-36	TOWELBR-36	TOWELBR-36RG
48	CUTBD-48*	CONRAIL-48	PLTRAIL-48	TOWELBR-48	TOWELBR-48RG
60	CUTBD-60*	CONRAIL-60	PLTRAIL-60	TOWELBR-60	TOWELBR-60RG
72	CUTBD-72*	CONRAIL-72	PLTRAIL-72	TOWELBR-72	TOWELBR-72RG

\*Two section board

DESCRIPTION	ACCESSORY CODE
Flex gas hose for gas griddles (3/4" x 4 ft.)	3/4QDH-4FT
Wire knob guard (order one per thermostat)	WGUARD-KNOB
4" legs, flanged foot, 1.75" adjust, cook height 11.38"-13.13", Qty (4)	LEGS-GRD4F
6" legs, (5.63" nom.) 1.75" adjust, cook height 13.00"-14.75", Qty (4)	LEGS-GRD6
8" legs, 1.75" adjust, cook height 15.38"-17.13", Qty (4)	LEGS-GRD8
10" legs, 1.75" adjust, cook height 17.38"-19.13", Qty (4)	LEGS-GRD10
12" legs, (11.25" nom.) 1.75" adjust, cook height 18.63"-20.38", Qty (4)	LEGS-GRD12
6" flanged leg Qty (4)	LEGS-6FLG
Griddle banking strip (connects side splashes of two units)	BANKING-STRIP
Grooved griddle scraping tool	SCRAPER-GROOVE



GROOVED GRIDDLE SCRAPING TOOL

**NOTE:** In line with its policy to continually improve its products, Vulcan-Hart Company reserves the right to change materials and specifications without notice.